

FOUR
STROKE

BFT200A



Exceed the European
Union emission
standards.



California C.A.R.B.
three star rating
for ultra-low
emissions.

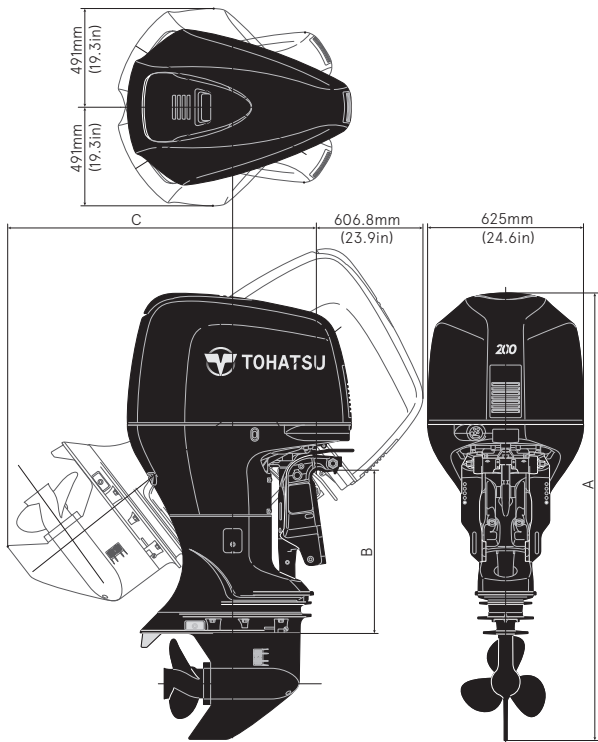
FOUR
STROKE

Specifications

Type		Four Stroke PGM-FI
Maximum output	kW (PS)	147.1 (200)
Maximum operating range	r/min	5000-6000
Fuel consumption at W.O.T	L/Hr (gal/Hr)	67.5 (17.83)
Number of cylinder		6
Bore x Stroke	mm (in)	89 x 93 (3.50 x 3.66)
Displacement	mL (Cu in)	3471 (211.8)
Engine lubrication system		Trochoid pump
Starting system		Electric starter
Spark plug		IZFR6F 11 (NGK)
Ignition timing		Electronically advanced
Alternator output		12V, 60A
Engine oil		API Standard (SG, SH, SJ) SAE 10W-30
Engine oil capacity	L (gal)	7.8 (2.06) w/ Filter change
Fuel tank capacity	L (gal)	Option 25 (6.60)
Speed control		Remote Control
Gear reduction ratio		1.87 (15:28)
Emission Compliance		EU & EPA & CARB 3-Star

Specifications and descriptions are subject to change without notice.

Dimensions



Dry Weight (kg/lbs)

Model	
Transom L:	265.0 (584)
Transom X:	270.0 (595)
Transom XC:	273.0 (602)

Dimensions (mm/in)

Model	A	B	C
Transom L:	1670 (65.8)	508 (20)	1137 (44.8)
Transom X:	1797 (70.7)	635 (25)	1249 (49.2)
Transom XC:	1797 (70.7)	635 (25)	1249 (49.2)

Standard & Optional Equipments

Type	L/X/XC
Electric Starter	●
Engine Stop Switch Lanyard	●
Alternator	●
Rectifier	●
Power Trim & Tilt	●
Transom	20/25/25
Propeller	○
Analog Tachometer	○
Analog Trim Meter	○
Remote Control Box	○
25L (6.6 Gal) Plastic Fuel Tank	○
Tool Kit	●
Spare Spark Plugs	●
Owners Manual	●

● Standard ○ Optional



6-Cylinder



PGM-FI®



BLAST®
SYSTEM



ECOMO®



Alternator



Charging
System



Thermostat



Power Trim
& Tilt



Diagnostics



Over-Heat
Buzzer



Tohatsu Onboard
Communication
System