



Exceed the European
Union emission
standards.



California C.A.R.B.
three star rating
for ultra-low
emissions.

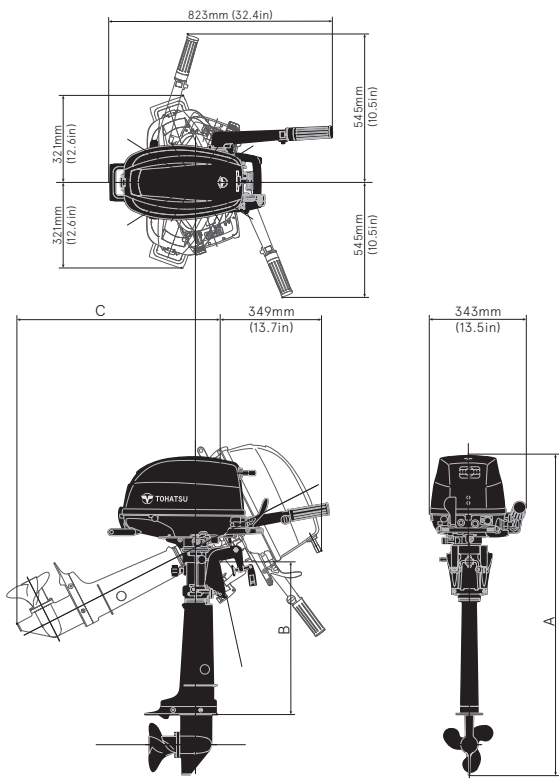
FOUR STROKE

Specifications

Type		Four Stroke
Maximum output	kW (PS)	4.4 (6)
Maximum operating range	r/min	5000-6000
Fuel consumption at W.O.T	L/Hr (gal/Hr)	2.0 (0.53)
Number of cylinder		1
Bore x Stroke	mm (in)	59x45 (2.32x1.77)
Displacement	mL (Cu in)	123 (7.51)
Engine lubrication system		Trochoid pump
Starting system		Manual
Spark plug		NGK DCPR6E
Ignition timing	degree	BTDC3° - BTDC25°
Alternator output		(Option 12V 60W 5A)
Engine oil		Tohatsu 4 Stroke Engine Oil or API Standard (SH,SJ,SL) SAE 10W-30/40
Engine oil capacity	L (qt)	0.45 (0.48)
Fuel tank capacity	L (gal)	12 (3.17)
Speed control		Twist grip type
Gear reduction ratio		2.15 (13:28)
Emission Compliance		EU & EPA & CARB 3-Star

Specifications and descriptions are subject to change without notice.

Dimensions



Dry Weight (kg/lbs)

Model	MF
Transom S:	25.6 (56)
Transom L:	26.1 (57)

Dimensions (mm/in)

Model	A	B	C
Transom S:	1039 (40.9)	435 (17.1)	658 (25.9)
Transom L:	1166 (45.9)	562 (22.1)	758 (29.8)

Standard & Optional Equipments

Type	S/L
Electric Starter	-
Manual Recoil Starter	●
Decompression Release	●
Engine Stop Switch Lanyard	●
Alternator	○
Rectifier	○
Transom	15/20
Propeller	●
Analog Tachometer	-
Analog Trim Meter	-
Remote Control Box	-
12L (3.1 Gal) Plastic Fuel Tank	●
Tool Kit	●
Emergency Starter Rope	●
Spare Spark Plug	●
Owners Manual	●

● Standard ○ Optional



1-Cylinder



Alternator
(Option)



Charging
System
(Option)



Thermostat



Throttle
Friction



Steering Friction
Adjustment
(FOR TILLER HANDLE MODEL)



High Solid
Paint Coating



Light Weight



Front Shift
Control



3-way storage