

FOUR  
STROKE

MFS 9.8B



Exceed the European  
Union emission  
standards.



California C.A.R.B.  
three star rating  
for ultra-low  
emissions.

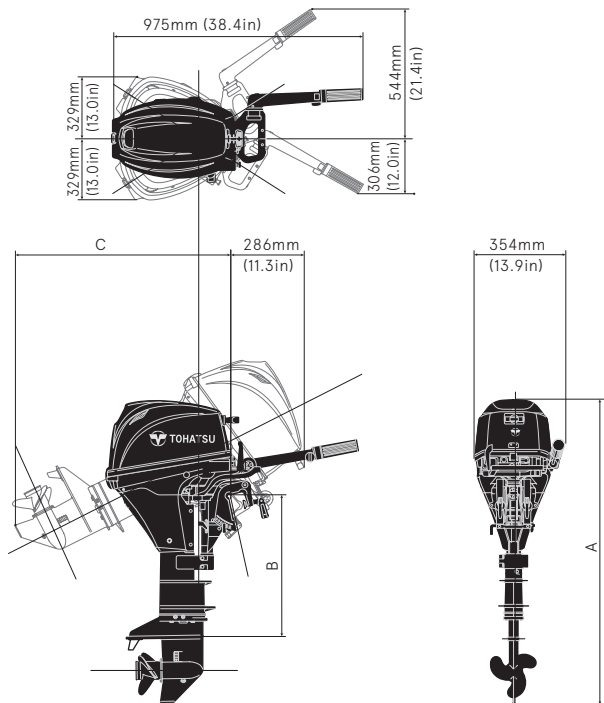
FOUR  
STROKE

## Specifications

Type		Four Stroke
Maximum output	kW (PS)	7.2 (9.8)
Maximum operating range	r/min	5000-6000
Fuel consumption at W.O.T	L/Hr (gal/Hr)	3.8 (1.00)
Number of cylinder		2
Bore x Stroke	mm (in)	55x44 (2.17x1.73)
Displacement	mL (Cu in)	209 (12.8)
Engine lubrication system		Trochoid pump
Starting system		Manual or Electric starter
Spark plug		NGK DCPR6E
Ignition timing	degree	TDC - BTDC35°
Alternator output		Electric model:12V 80W 6A
Engine oil		Tohatsu 4 Stroke Engine Oil or API Standard (SH,SJ,SL) SAE 10W-30/40
Engine oil capacity	L (qt)	0.8 (0.85)
Fuel tank capacity	L (gal)	12 (3.17)
Speed control		Twist grip type or Remote control
Gear reduction ratio		2.08 (13:27)
Emission Compliance		EU & EPA & CARB 3-Star

Specifications and descriptions are subject to change without notice.

## Dimensions



### Dry Weight

(kg/lbs)

Model	MF	EF	EP	EFT	EPT
Transom S:	37.0 (82)	40.0 (88)	40.0 (88)	46.5 (103)	46.0 (101)
Transom L:	38.0 (84)	41.0 (91)	41.0 (91)	47.5 (105)	47.0 (104)
Transom UL:	39.5 (87)	-	-	-	-

### Dimensions

(mm/in)

Model	A	B	C
Transom S:	1050 (41.3)	435 (17.1)	709 (27.9)
Transom L:	1177 (46.3)	562 (22.1)	836 (32.9)
Transom UL:	1304 (51.3)	689 (27.1)	963 (37.9)

## Standard & Optional Equipments

Type	S/L/UL	EFS/L	EPS/L	EFTS/L	EPTS/L
Electric Starter	-	●	●	●	●
Manual Recoil Starter	●	●	●	●	●
Decompression Release	-	-	-	-	-
Engine Stop Switch Lanyard	●	●	●	●	●
Alternator	○	●	●	●	●
Rectifier	○	●	●	●	●
Power Tilt	-	-	-	●	●
Transom	15/20/25	15/20	15/20	15/20	15/20
Propeller	●	●	●	●	●
Analog Tachometer	-	-	○	-	○
Analog Trim Meter	-	-	-	-	○
Remote Control Box	-	-	●	-	●
12L (3.1 Gal) Plastic Fuel Tank	●	●	●	●	●
Tool Kit	●	●	●	●	●
Emergency Starter Rope	●	●	●	●	●
Spare Spark Plug	●	●	●	●	●
Owners Manual	●	●	●	●	●

● Standard ○ Optional



2-Cylinder



Alternator  
(Electric Model)



Charging System  
(Electric Model)



Thermostat



Manual Start  
Back-Up



Throttle  
Friction



Front Shift  
Control



Simple  
Steering  
Friction Lever



Power Tilt



High Solid  
Paint Coating



Light Weight