

FOUR
STROKE

MFS20E



Exceed the European
Union emission
standards.



California C.A.R.B.
three star rating
for ultra-low
emissions.

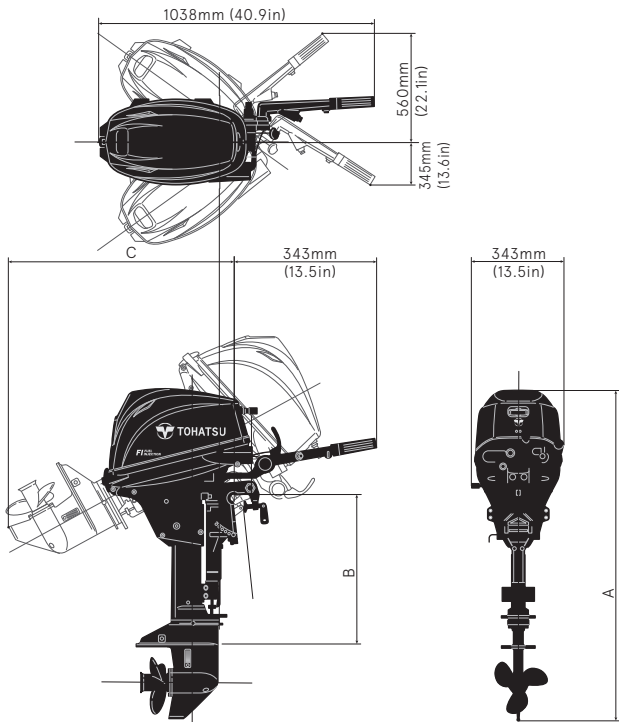
FOUR
STROKE

Specifications

Type		Four Stroke Fuel Injection
Maximum output	kW (PS)	14.7 (20)
Maximum operating range	r/min	5400-6100
Fuel consumption at W.O.T	L/Hr (gal/Hr)	6.3 (1.66)
Number of cylinder		2
Bore x Stroke	mm (in)	61x57 (2.40x2.24)
Displacement	mL (Cu in)	333 (20.3)
Engine lubrication system		Trochoid pump
Starting system		Manual or Electric starter
Spark plug		NGK DCPR6E
Ignition timing		Electronically advanced
Alternator output		12V 144W 12A
Engine oil		Tohatsu 4 Stroke Engine Oil or API Standard (SH,SJ,SL) SAE 10W-30/40
Engine oil capacity	L (qt)	1.2 (1.27) w/Filter change
Fuel tank capacity	L (gal)	12 (3.17)
Speed control		Twist grip type or Remote control
Gear reduction ratio		2.15 (13:28)
Emission Compliance		EU & EPA & CARB 3-Star

Specifications and descriptions are subject to change without notice.

Dimensions



Dry Weight

(kg/lbs)

Model	MF	EF	EP	EFT	EPT
Transom S:	43.0(94.8)	47.0(103.6)	46.0(101.4)	52.5(115.7)	51.5(113.5)
Transom L:	44.0(97.0)	48.0(105.8)	47.0(103.6)	53.5(117.9)	52.5(115.7)

Dimensions

(mm/in)

Model	A	B	C
Transom S:	1116(43.9)	405(15.9)	722(28.4)
Transom L:	1258(49.5)	552(21.7)	859(33.8)

Standard & Optional Equipments

Type	S/L	EFS/L	EPS/L	EFTS/EFTL	EPTS/L
Electric Starter	-	●	●	●	●
Manual Recoil Starter	●	●	●	●	●
Decompression Release	●	●	●	●	●
Engine Stop Switch Lanyard	●	●	●	●	●
Alternator	●	○	●	●	●
Rectifier	○	●	●	●	●
Power Tilt	-	-	-	●	●
Transom	15/20	15/20	15/20	15/20	15/20
Propeller	●	●	●	●	●
Analog Tachometer	-	-	○	-	○
Analog Trim Meter	-	-	-	-	○
Remote Control Box	-	-	●	-	●
12L (3.1 Gal) Plastic Fuel Tank	●	●	●	●	●
Tool Kit	●	●	●	●	●
Emergency Starter Rope	●	●	●	●	●
Spare Spark Plug	●	●	●	●	●
Owners Manual	●	●	●	●	●

● Standard ○ Optional



2-Cylinder



Alternator
(Electric Model)



Charging System
(Electric Model)



Thermostat



Manual Start
Back-Up



Throttle
Friction



Front Shift
Control



Simple
Steering
Friction Lever



Power Tilt



High Solid
Paint Coating



Diagnostics



Battery-less
Fuel Injection



Over-Heat
Sensor