

FOUR
STROKE

MFS6Bz

CONTENTS

FOUR STROKE

TWO STROKE

ACCESSORIES



Exceed the European
Union emission
standards.

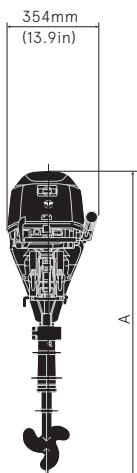
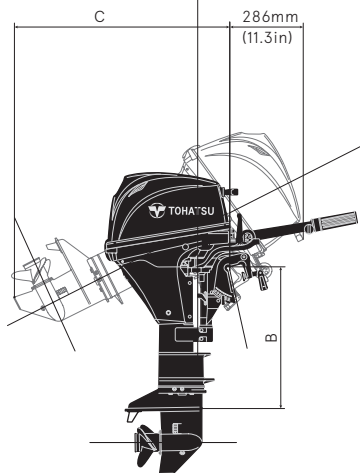
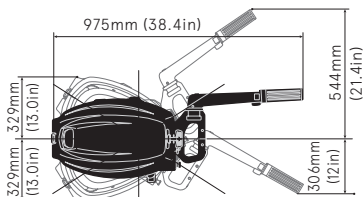
FOUR STROKE

Specifications

Type		Four Stroke
Maximum output	kW (PS)	4.4 (6)
Maximum operating range	r/min	5000-6000
Fuel consumption at W.O.T	L/Hr (gal/Hr)	2.6 (0.69)
Number of cylinder		2
Bore x Stroke	mm (in)	55x44 (2.17x1.73)
Displacement	mL (Cu in)	209 (12.8)
Engine lubrication system		Trochoid pump
Starting system		Manual or Electric starter
Spark plug		NGK DCPR6E
Ignition timing	degree	TDC - BTDC35°
Alternator output		Certain model:12V 80W 6A
Engine oil		Tohatsu 4 Stroke Engine Oil or API Standard (SH,SJ,SL) SAE 10W-30/40
Engine oil capacity	L (qt)	0.8 (0.85)
Fuel tank capacity	L (gal)	12 (3.17)
Speed control		Twist grip type or Remote control
Gear reduction ratio		2.08 (13:27)
Emission Compliance		EU

Specifications and descriptions are subject to change without notice.

Dimensions



Dry Weight

(kg/lbs)

Model	MF	EF	EP
Transom S:	37.0 (82)	-	-
Transom L:	38.0 (84)	41.0 (91)	41.0 (91)

Dimensions

(mm/in)

Model	A	B	C
Transom S:	1050 (41.3)	435 (17.1)	709 (27.9)
Transom L:	1177 (46.3)	562 (22.1)	836 (32.9)

Standard & Optional Equipments

Type	S/L	EFL	EPL
Electric Starter	-	●	●
Manual Recoil Starter	●	●	●
Decompression Release	-	-	-
Engine Stop Switch Lanyard	●	●	●
Alternator	○	●	●
Rectifier	○	●	●
Power Tilt	-	-	-
Transom	15/20	20	20
Propeller	●	●	●
Analog Tachometer	-	-	○
Analog Trim Meter	-	-	-
Remote Control Box	-	-	●
12L (3.1 Gal) Plastic Fuel Tank	●	●	●
Tool Kit	●	●	●
Emergency Starter Rope	●	●	●
Spare Spark Plug	●	●	●
Owners Manual	●	●	●

● Standard ○ Optional



2-Cylinder



Alternator
(Electric Model)



Charging System
(Electric Model)



Thermostat



Manual Start
Back-Up



Throttle
Friction



Front Shift
Control



Steering Friction
Adjustment
(FOR TILLER HANDLE MODEL)



High Solid
Paint Coating



Light Weight



3-way storage