

FOUR
STROKE

MFS6DD

CONTENTS

FOUR STROKE

TWO STROKE

ACCESSORIES



Exceed the European
Union emission
standards.



California C.A.R.B.
three star rating
for ultra-low
emissions.

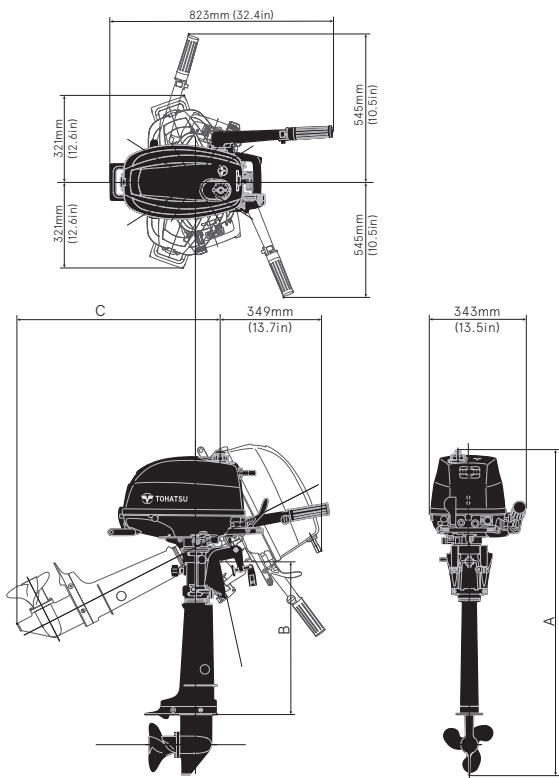
FOUR STROKE

Specifications

| | | |
|---------------------------|------------------|--|
| Type | | Four Stroke |
| Maximum output | kW (PS) | 4.4 (6) |
| Maximum operating range | r/min | 5000-6000 |
| Fuel consumption at W.O.T | L/Hr (gal/Hr) | 2.0 (0.53) |
| Number of cylinder | | 1 |
| Bore x Stroke | mm (in) | 59x45 (2.32x1.77) |
| Displacement | mL (Cu in) | 123 (7.51) |
| Engine lubrication system | | Trochoid pump |
| Starting system | | Manual |
| Spark plug | | NGK DCPR6E |
| Ignition timing | degree | BTDC3° - BTDC25° |
| Alternator output | | (Option 12V 60W 5A) |
| Engine oil | | Tohatsu 4 Stroke Engine Oil or API Standard (SH,SJ,SL) SAE 10W-30/40 |
| Engine oil capacity | L (qt) | 0.45 (0.48) |
| Fuel tank capacity | L (gal) | 1.15 (0.30) Integral tank 12 (3.17) Separate tank (optional) |
| Speed control | | Twist grip type |
| Gear reduction ratio | | 2.15 (13:28) |
| Emission Compliance | | EU & EPA & CARB 3-Star |

Specifications and descriptions are subject to change without notice.

Dimensions



Dry Weight (kg/lbs)

| Model | MF |
|------------|-----------|
| Transom S: | 26.1 (57) |
| Transom L: | 26.6 (59) |

Dimensions (mm/in)

| Model | A | B | C |
|------------|-------------|------------|------------|
| Transom S: | 1067 (42.0) | 435 (17.1) | 658 (25.9) |
| Transom L: | 1194 (47.0) | 562 (22.1) | 758 (29.8) |

Standard & Optional Equipments

| Type | S/L |
|---------------------------------|-------|
| Electric Starter | - |
| Manual Recoil Starter | ● |
| Decompression Release | ● |
| Engine Stop Switch Lanyard | ● |
| Alternator | ○ |
| Rectifier | ○ |
| Dual Tank Connector | ● |
| Transom | 15/20 |
| Propeller | ● |
| Analog Tachometer | - |
| Analog Trim Meter | - |
| Remote Control Box | - |
| 12L (3.1 Gal) Plastic Fuel Tank | ○ |
| 1.15L (0.3 Gal) In-tank | ● |
| Tool Kit | ● |
| Emergency Starter Rope | ● |
| Spare Spark Plug | ● |
| Owners Manual | ● |

● Standard ○ Optional



1-Cylinder



Alternator
(Option)



Charging
System
(Option)



Thermostat



Built-in
Tank



Dual Fuel
System
(Option)



Throttle
Friction



Steering Friction
Adjustment
(FOR TILLER HANDLE MODEL)



High Solid
Paint Coating



Light Weight



Front Shift
Control



3-way storage