

FOUR
STROKE

MFS25C



Exceed the European
Union emission
standards.



California C.A.R.B.
three star rating
for ultra-low
emissions.

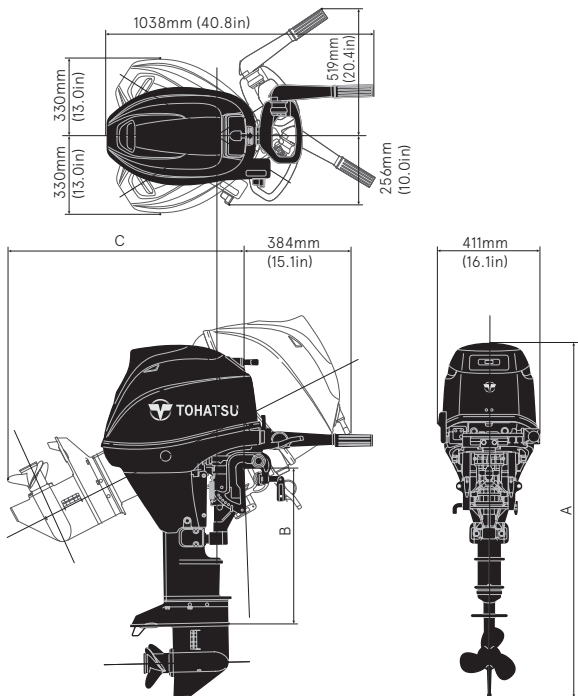
FOUR
STROKE

Specifications

Type	Four Stroke Fuel Injection	
Maximum output	kW (PS)	18.4 (25)
Maximum operating range	r/min	5000-6000
Fuel consumption at W.O.T	L/Hr (gal/Hr)	8.8 (2.32)
Number of cylinder	3	
Bore x Stroke	mm (in)	61x60 (2.40x2.36)
Displacement	mL (Cu in)	526 (32.1)
Engine lubrication system	Trochoid pump	
Starting system	Manual or Electric starter	
Spark plug	NGK DCPR6E	
Ignition timing	Electronically advanced	
Alternator output	12V 180W 15A	
Engine oil	Tohatsu 4 Stroke Engine Oil or API Standard (SH,SJ,SL) SAE 10W-30/40	
Engine oil capacity	L (gal)	1.8 (0.48) w/Filter change
Fuel tank capacity	L (gal)	25 (6.60)
Speed control	Twist grip type or Remote control	
Gear reduction ratio	2.17 (12:26)	
Emission Compliance	EU & EPA & CARB 3-Star	

Specifications and descriptions are subject to change without notice.

Dimensions



Dry Weight

(kg/lbs)

Model	MF	EP	EPT
Transom S:	71.5 (158)	73.0 (161)	81.0 (179)
Transom L:	73.0 (161)	74.5 (164)	82.5 (182)

Dimensions

(mm/in)

Model	A	B	C
Transom S:	1189 (46.8)	404 (15.9)	756 (29.8)
Transom L:	1336 (52.6)	552 (21.7)	887 (34.9)

Standard & Optional Equipments

Type	S/L	EPS/L	EPTS/L
Electric Starter	-	●	●
Manual Recoil Starter	●	●	●
Decompression Release	●	●	●
Engine Stop Switch Lanyard	●	●	●
Alternator	●	●	●
Rectifier	○	●	●
Power Tilt	-	-	●
Transom	15/20	15/20	15/20
Propeller	●	●	●
Analog Tachometer	-	○	○
Analog Trim Meter	-	-	○
Remote Control Box	-	●	●
Multi Tiller Handle	○	○	○
25L (6.6 Gal) Plastic Fuel Tank	●	●	●
Tool Kit	●	●	●
Emergency Starter Rope	●	●	●
Spare Spark Plug	●	●	●
Owners Manual	●	●	●

● Standard ○ Optional



3-Cylinder



Battery-less
Fuel Injection



Low Fuel
Consumption



Alternator



Charging System
(Electric Model)



Thermostat



Manual Start
Back-Up



Throttle
Friction



Front Shift
Control



Simple Steering
Friction Lever
(Manual Tilt)



Power Tilt



Diagnostics



Over-Heat
Buzzer



High Solid
Paint Coating



Dual Water
Intake



Multi Tiller Handle
#014362AB and later
models



Trolling Speed
Control
(MFS25/30)