

FOUR
STROKE

BFT250A



Exceed the European
Union emission
standards.



California C.A.R.B.
three star rating
for ultra-low
emissions.

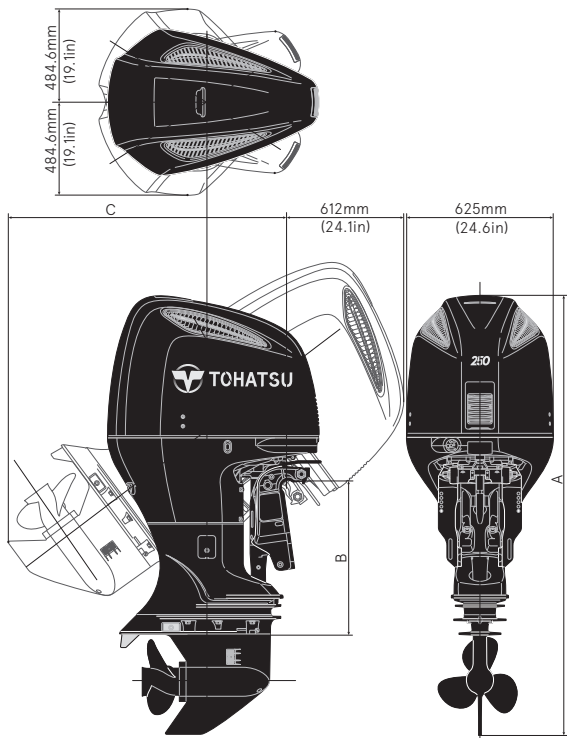
FOUR STROKE

Specifications

Type		Four Stroke PGM-FI
Maximum output	kW (PS)	183.9 (250)
Maximum operating range	r/min	5300-6300
Fuel consumption at W.O.T	L/Hr (gal/Hr)	82.7 (21.85)
Number of cylinder		6
Bore x Stroke	mm (in)	89 x 96 (3.50 x 3.78)
Displacement	mL (Cu in)	3583 (218.6)
Engine lubrication system		Trochoid pump
Starting system		Electric starter
Spark plug		ZFR6K-11 (NGK)
Ignition timing		Electronically advanced
Alternator output		12V, 60A
Engine oil		API Standard (SG, SH, SJ) SAE 10W-30
Engine oil capacity	L (gal)	7.8 (2.06) w/ Filter change
Fuel tank capacity	L (gal)	Option 25 (6.60)
Speed control		Remote Control
Gear reduction ratio		2.00 (12:24)
Emission Compliance		EU & EPA & CARB 3-Star

Specifications and descriptions are subject to change without notice.

Dimensions



Dry Weight (kg/lbs)

Model	
Transom X:	284.0 (626)
Transom XC:	284.0 (626)

Dimensions

(mm/in)

Model	A	B	C
Transom X:	1887 (74.3)	635 (25.0)	1173.5 (46.2)
Transom XC:	1887 (74.3)	635 (25.0)	1173.5 (46.2)

Standard & Optional Equipments

Type	X/XC
Electric Starter	●
Engine Stop Switch Lanyard	●
Alternator	●
Rectifier	●
Power Trim & Tilt	●
Transom	25/25
Propeller	○
Analog Tachometer	○
Analog Trim Meter	○
Remote Control Box	○
25L (6.6 Gal) Plastic Fuel Tank	○
Tool Kit	●
Spare Spark Plugs	●
Owners Manual	●

● Standard ○ Optional



6-Cylinder



PGM-FI®



BLAST®
SYSTEM



ECOmo®



Variable Valve
Timing and Lift
Control



Alternator



Charging
System



Thermostat



Power Trim
& Tilt



Diagnostics



Over-Heat
Buzzer



Tohatsu Onboard
Communication
System