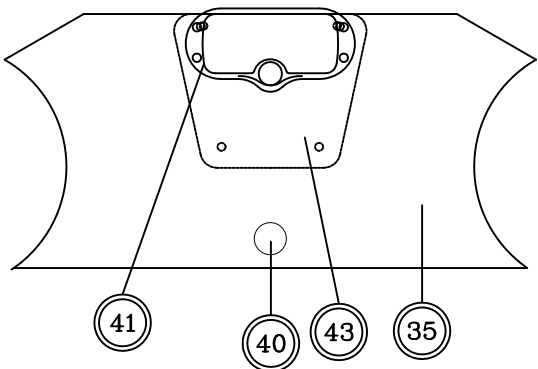
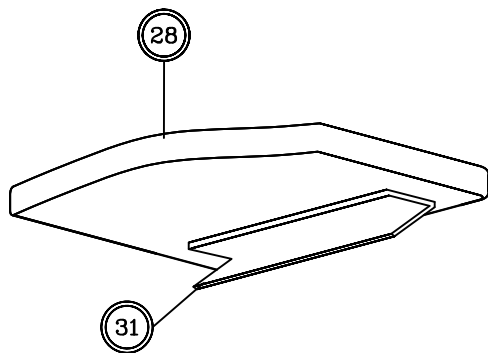
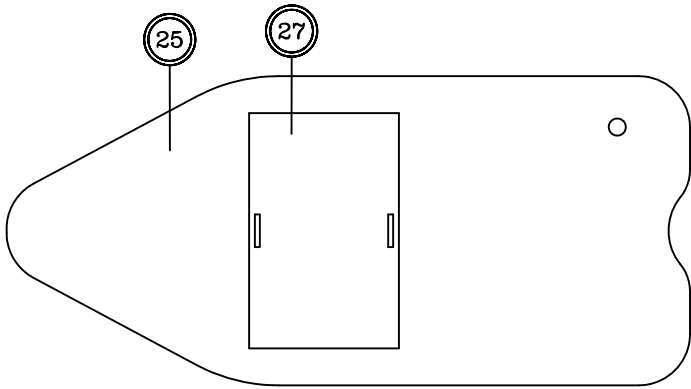
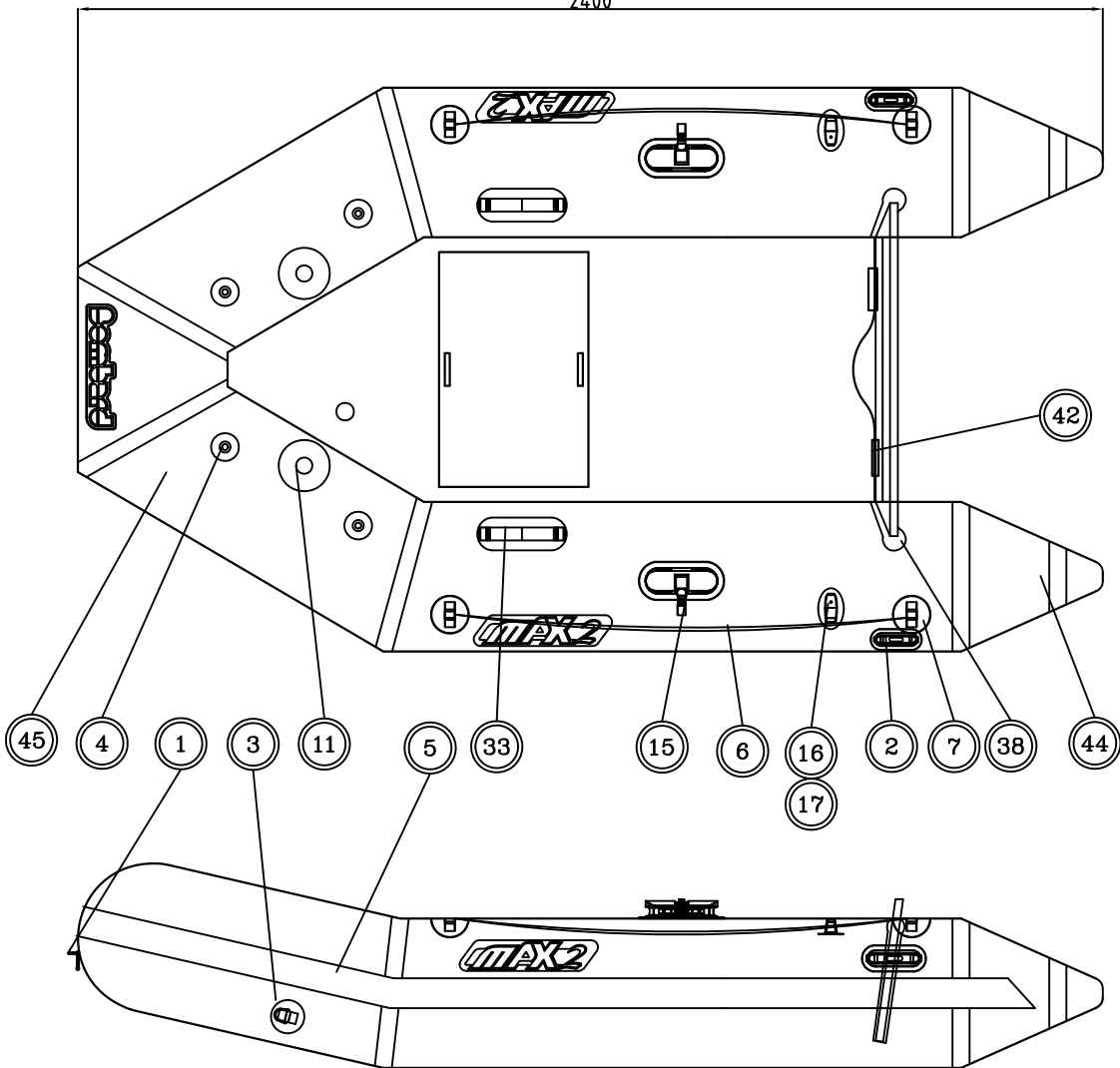


24.00



MAX 2 aero
SK-MAX1413a-N-ACC
(ZODIAC Item Code:Z51413)
PCR 29.04.09

LISTE GAMME MAX 09			LATTES SLATS	LATTES SLATS	FOND HP GONFLABLE	LATTES SLATS	FOND HP GONFLABLE	PLANCHER WOODEN FLOOR
DESIGNATION	11/02/2010	MODEL	MAX 1 200 Z51411	MAX 2 240 Z51412	MAX 2 240 aéro Z51413	MAX 3 + 275 Z51414	MAX 3 + aéro 275 Z51415	MAX 3 +S 275 Z51416
	PTN°	rep						
EQUIPEMENT FLOT.TUBE / KEEL -QUILLE								
POIGNEE AVANT GRIS (1) / BOW D-RING GREY	Z69348	1	X	X	X	X	X	X
POIGNEE PORTAGE/BLACK HANDLE (2) PM	Z69301	2	X	X	X	X	X	X
POIGNEE PORTAGE/BLACK HANDLE (2) GM	Z69302	2B						
ANNEAU REMORQUAGE/TOWING RING (2) GRIS	Z69303	3	X	X	X	X	X	X
PLOT FIXATION NO/BOW BAG FITTING	Z69304	4	X	X	X	X	X	X
DEFENSE / RUBSTRAKE BLUE+1 WHITE 80MM 1TD L=8 M	Z69397	5	X	X	X	X	X	X
DRISSE / ROPE BLUE L=6M	Z69306	6	X	X	X	X	X	X
PASSE DRISSE / ROPE HOLDER ZOOM (6)	Z69307	7	X	X	X	X	X	X
QUILLE/KEEL MAX3 + Long. 1820MM	Z69370	8					X	X
VALVE NOIRE / INFLAT. VALVE 09	Z67151	11	X	X	X	X	X	X
DAME DE NAGE/RECLINING OAR SUP (1)	Z69311	15	X	X	X	X	X	X
AXE-DN BASCUL.09 KIT/ AXE - RECLINING FIX OAR 09 (2)	Z69346	15B						
ATTACHE(2)AVIRON/OAR STOPPER D35 ZOOM 09	Z67064	16	X	X	X	X	X	X
CLIP P/REPOSE AVIRON/CLIP OAR STOPPER ZOOM (2)	Z60041	17	X	X	X	X	X	X
PLANCHER-LATTES								
KIT LATTES GRISE/SLAT KIT GREY MAX1	Z69371	18	X					
KIT LATTES GRISE/SLAT KIT GREY MAX2	Z69372	19		X				
KIT LATTES GRISE/SLAT KIT GREY MAX3+	Z69373	20				X		
PLANCHER BLEU/PLYWOOD BLUE MAX3+S	Z69374	21						X
PROFIL " H" JONCTION MAX3+S/ALUM.H MAX3+S	Z69375	22						X
LONGERON/STRINGER ZOOM 260 L650 (2)	Z69319	23						X
PLANCHER/MATTRESS H2P MAX 2 AERO	Z69376	25			X			
PLANCHER/MATTRESS H2P MAX 3 + AERO	Z69377	26					X	
SUPPORT RESERVOIR TISSU	Z69323	27			X		X	
BANC -- WOODEN BENCH								
BANC/BENCHE MODELE L=800	Z69324	28	X	X	X			
BANC/BENCHE MODELE L=950	Z69360	29				X	X	X
EQUERRE FIXATION BANC / SEAT HOOK (2)	Z69327	31	X	X	X	X	X	X
PATTE FIXATION BANC BLEU/BENCH FITTING(2) BLUE	Z69328	32						
PATTE FIXATION BANC GRIS/BENCH FITTING(2) GREY	Z69329	33	X	X	X	X	X	X
TABLEAU -- TRANSOM								
TABLEAU BLEU/TRANSOM BLUE MAX1	Z69378	34	X					
TABLEAU BLEU/TRANSOM BLUE MAX2	Z69379	35		X	X		X	
TABLEAU BLEU/TRANSOM BLUE MAX3+	Z69380	36				X		
TABLEAU BLEU/TRANSOM BLUE MAX3+ (AERO / S)	Z69381	37					X	X
SEMELLE/TRANSOM HOLDERS 18 mm	Z69334	38	X	X	X			
SEMELLE/TRANSOM HOLDERS 24 mm	Z69335	39				X	X	X
VIDE-VITE/DRAIG PLUG D SET NOIR	Z69336	40	X	X	X	X	X	X
PLAQUE MOTEUR/MOTOR MOUNTING PLATE	Z69337	41	X	X	X	X	X	X
TASSEAUHPP/PLAST.FLOOR RETAINER GREY (2)	Z69338	42			X		X	
PLAQUE MARTYRE/WOODEN TRANSOM PAD 12MM	Z69339	43	X	X	X	X	X	X
EQUIPEMENT STANDARD -- EQUIPMENT STANDARD								
AVIRON/OAR d35 1,3 (2) + 2 TOLETS/THOLE PIN	Z67065	12	X	X	X			
AVIRON/OAR d35 1,6 (2) + 2 TOLETS/THOLE PIN	Z67066	13				X	X	X
TOLETS NOIR/THOLE PIN BLACK D35+NOTI.SCOP 09	Z67067	14	X	X	X	X	X	X
GONFLEUR/FOOT PUMP BV7- VALVE BV5	Z67161		X	X		X		X
GONFLEUR/FOOT PUMP BV9- VALVE BV5	Z67105				X		X	
TUYAU GONFLEUR/INFLAT.HOSE F/B5VALVE	Z67163		X	X	X	X	X	X
EMBOUT VALVE/CONNECTOR VALVE BV5	Z67164		X	X	X	X	X	X
MANO/PRESURE GAUGE VALVE BRAVO 05	Z67152		X	X	X	X	X	X
SAC/BAG BOMBARD	Z69368		X	X	X	X	X	X
REP.KIT COMPLET/RAPAIR KIT COMPLETE	Z69341		X	X	X	X	X	X
MAN.PROP T1 GENERALITES	Z3018		X	X	X	X	X	X
MAN PROP. T2 MAX/MANUEL PROP T2 MAX	Z69382		X	X	X	X	X	X
CLE VALVE PUSH PUSH 09/SPANNER 09 REC.VALV.	Z67105		X	X	X	X	X	X
T/REPARATION GR-CL / LIGHT GREY FABRIC	Z7041	44						
T/REPARATION BL-MA (M) / NAVY BLUE REPAIR FABRIC	Z60395	45						
T/REPARATION PVC NOIR (M) / BLACK REPAIR FABRIC	Z7177	46						
EQUIPEMENT EN OPTION -- OPTION EQUIPMENT								
SAC AVANT T1 / BOW BAG SMALL	Z69343		X	X	X	X	X	X

