

MARK 2 FUTURA

2004 >10

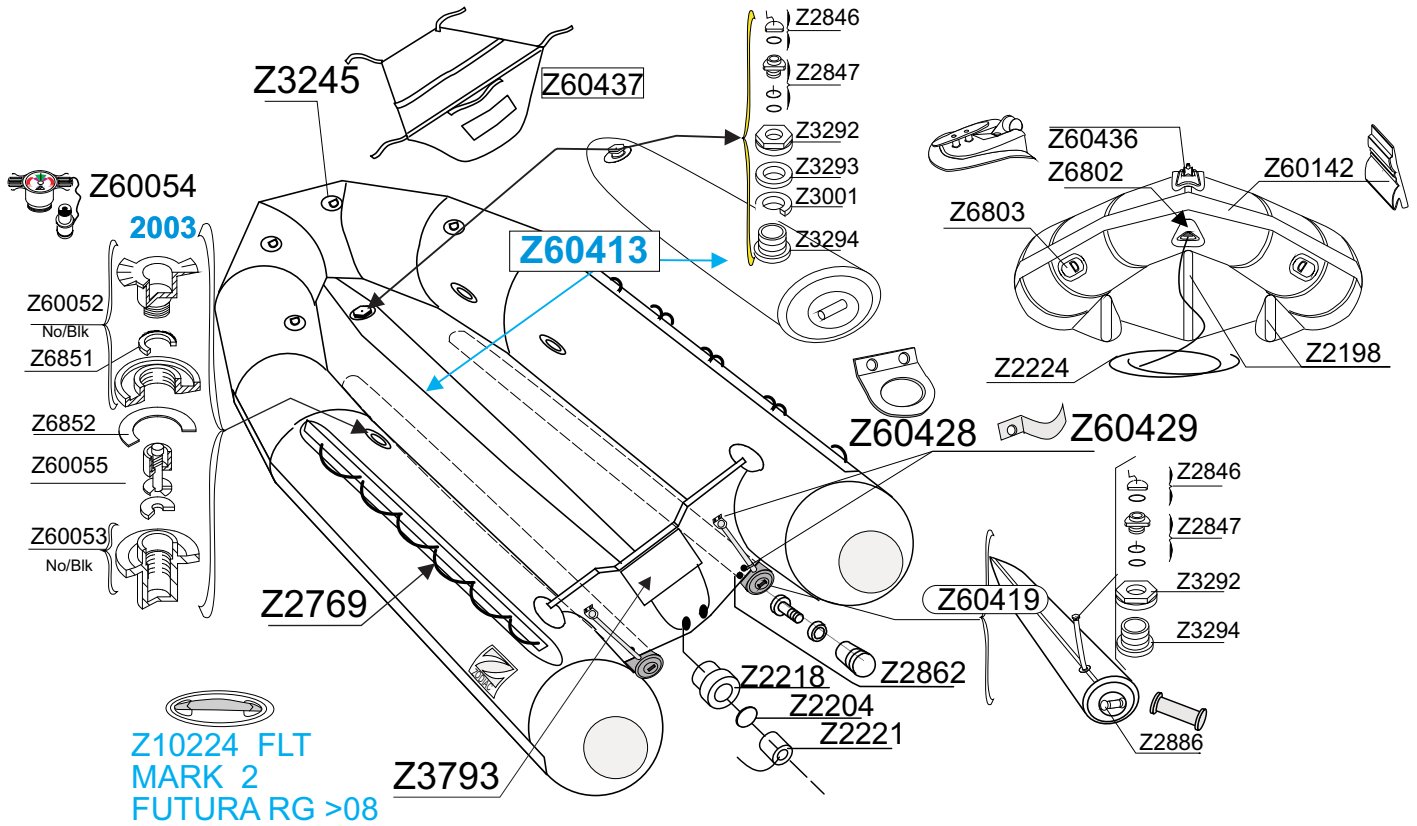
Z12209- FR-HP P:1/2

GDB/09/05 GDB 03/10

ROUGE
RED

Z12212- ST-BOIS-WOOD
Z12215- HD- alum.

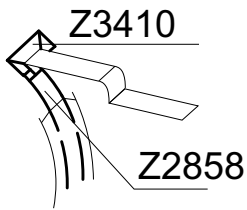
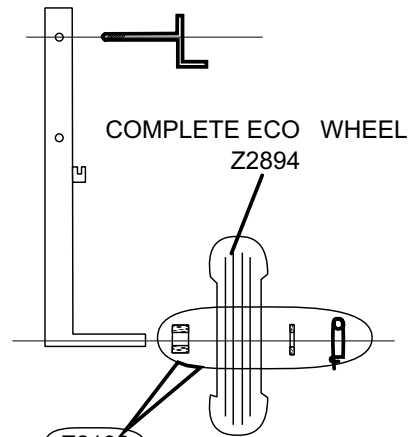
Long/4m10 ROUGE
RED



Spares Parts - Pièces Dét. GDB/02.08

Z1290 Z61110 & Z1282

Z2281 TURNKEYS F WHEEL SET(2)

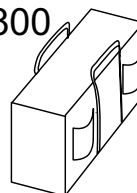


Z2969 1M20 (2)
TELESCOPIC ALU

1999



Z3800



Z60019

Z2099

Z60422

Z6905

Z2241 (10)

2008

Z60993

<2008

Z2995 Z2994
G-Left / D-Right

Z67068

Z60980

Z60811

Z60981

Z60798

Z6730

2008

Tissu pour réparation: Corps =Z7131 Rouge
Fabric for repairs : Tube =Z7131 Red

Fond = Z7177 Noir
Bottom = Z7177 Black

MARK 2 FUTURA

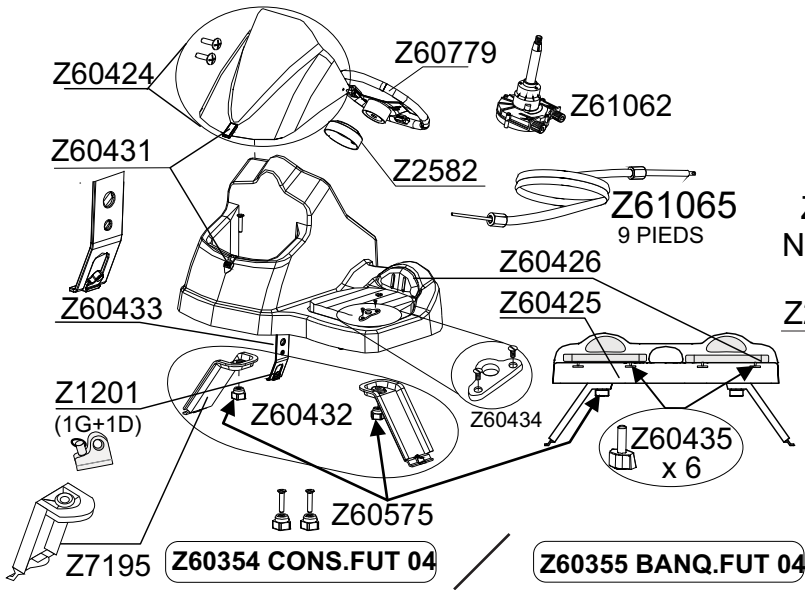
2004 >10

Z12209- FR-HP P:2/2

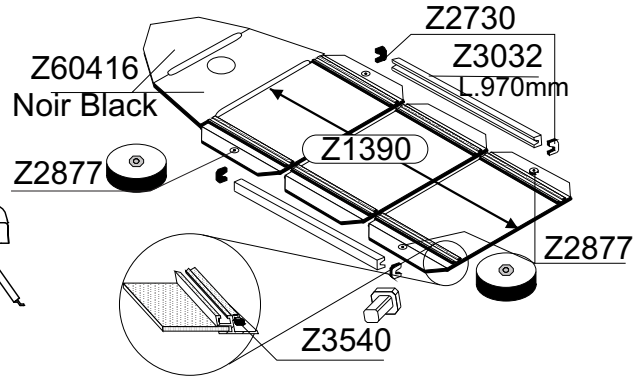
GDB/09/05 GDB 03/10
Long/4m10

ROUGE
RED

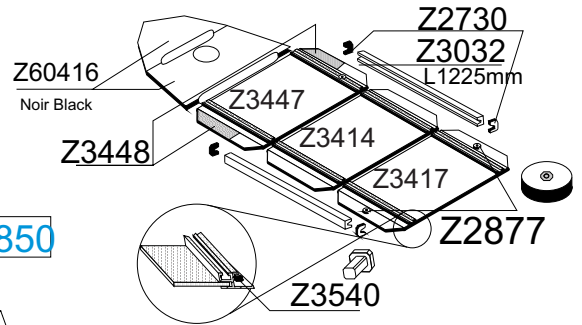
Z12212- ST-BOIS-WOOD
Z12215- HD- alum.



Z10211 - PLANCH.BOIS
-WOOD.FLOOR- 2

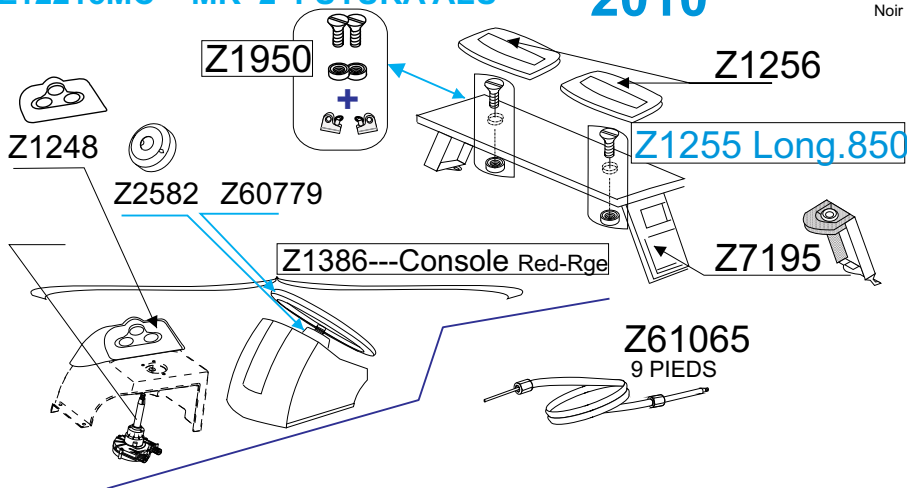


Z10212 - PLANCHER HD - 2
-ALU.FLOOR -

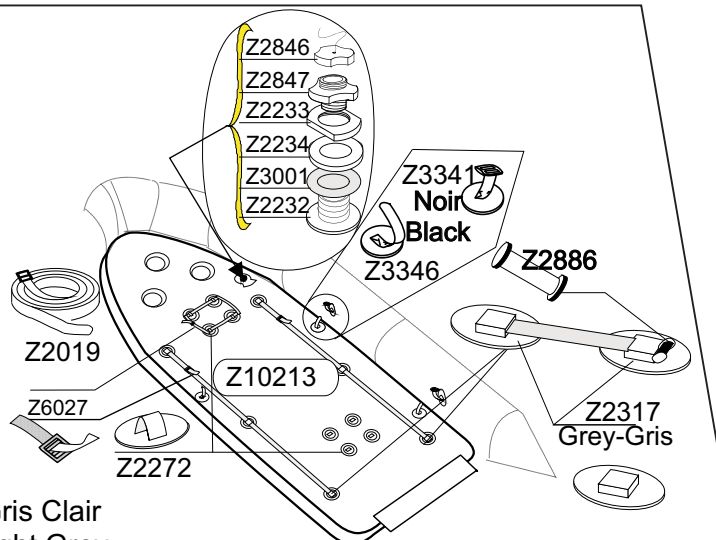


Z12215MC MK 2 FUTURA ALU

2010



Z10213 - PLANCHER
GONFLABLE
Futura HP-FLOOR- 2



Tissu pour réparation Fond H2P =Z7041 Gris Clair
Fabric for repairs H2P Floor =Z7041 Light Grey