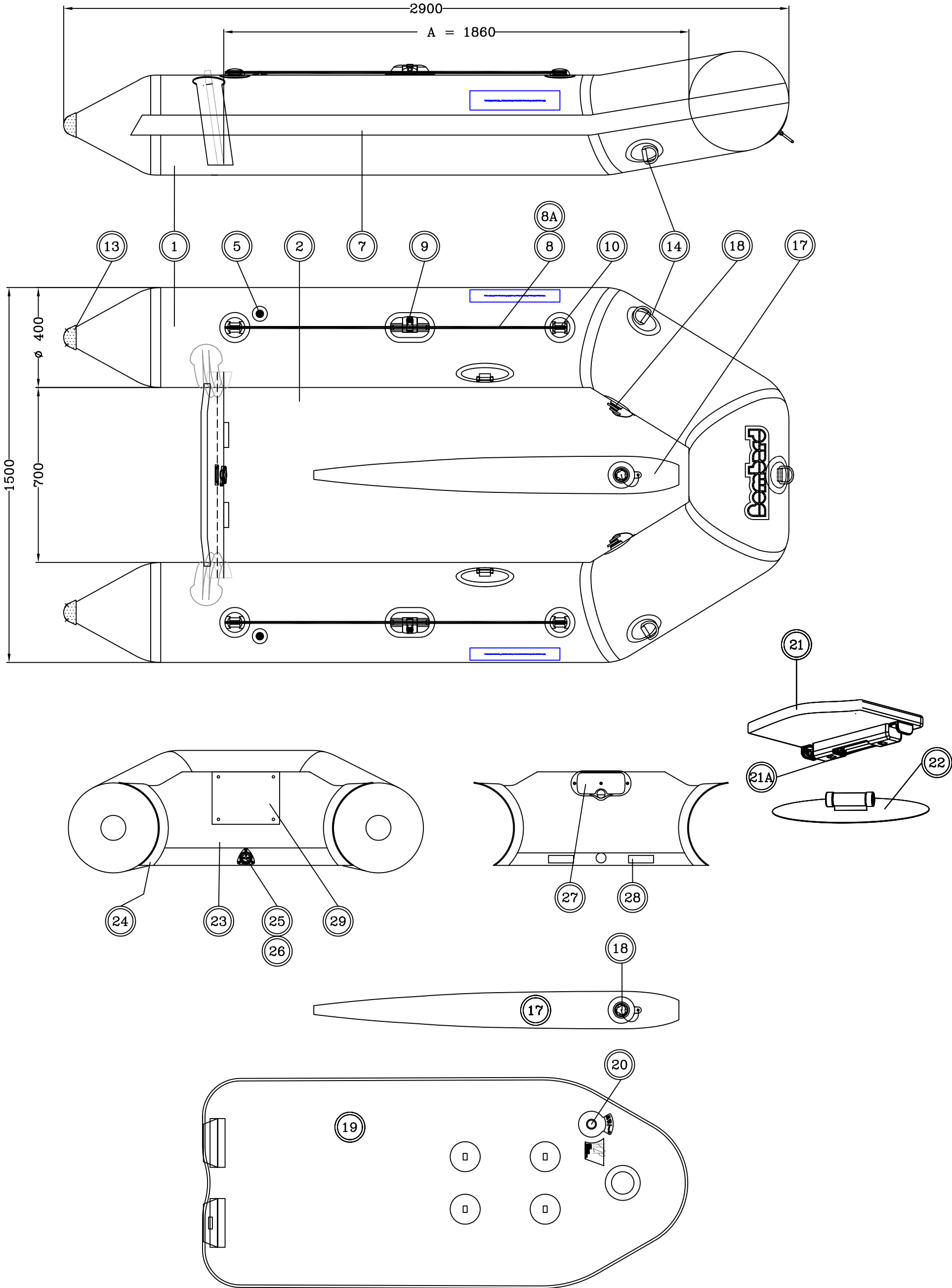


Max 4 Gris Aero 2005 - Z51407

N° 3452133A SAV

DJA - 05.2005



Rep.	Qty	PTN°	Description FR	Description GB
<b>EQUIPMENT FLOTTEUR -- BUOYANCY TUBE EQUIPMENT</b>				
1	M	Z7041	T/REPAR.950 GRIS CLAIR	LIGHT GREY REPAIR FABRIC
2	M	Z7177	T/REPARATION ANNEXE NOIR 900 M	REPAIR FABRIC TENDER BLACK PM
5	2	Z3957	PLOT FIX.SAC/AVIR NO (10)	PLAST.ATTACH.OAR/BAG10BLK
7	1	Z60627	DEF GR.M/BLC/NO/BLC/GR.M 5M	RUB STRAKE M.GR/W/BK/W/M.GR 5M
8	4	Z60146	VERROU DRISSE "TE" NO. (4)	RETAINER FOR ROPE "T" BLK. (4)
8A	4	Z2887	DRISSE PE D12 NOIRE 25M	BLACK POLY ROPE D12(P25M)
9	2	Z60739	TOLET BLOQUEUR AVIRON NOIR (2)	OAR LOCK JUBILEE CLIP/BLK (2)
9	2	Z60074	EMBASE 01 DN BASC. NOIR (1)	SUPPORT RECLINING OAR 01 BLACK
9	2	Z60076	COQUILLE. 02 NOIR DNB. (1)	SWIVEL RECLINING OAR 02 BLACK
9	2	Z60078	BOUTON RESSORT DAME NAGE(2)	RETAINER FOR OAR SWIVEL 02 (2)
9	2	Z60072	AXE DN BASC. 01 NOIR (1)	AXE RECL.OAR 01 BLACK (1)
9	1	Z2845	AN.AXE DAME BASCUL.NO(10)	PLT RING F/RECL.OAR BLK10
10	2	Z2310	PAS.SANGL/DRISSE NOIR (1)	MOULD.STRAP/ROPE HOLD1BLK
18	4	Z2846	BOUCHON CLAPET DELRIN(10)	CAP BLACK VALVE (P10)
18	M	Z2847	CORPS CLAPET DELRIN(10)	DELRIN BLACK VALVE (P10)
18	2	Z3292	ECROU EMB DELRIN(10)	DELRIN COLLAR NUT (10)
18	2	Z3293	ROND EMB DELRIN(10)	GASKET INSERT DELRIN BASE
18	2	Z3001	JT NEO.EMBASE CLAPET(25)	GASKET INSERT BASE NEOPRE (25)
18	2	Z3294	EMB F.CARRE DELRIN(10)	DELRN VALV INSRT BASE(10)
13	2	Z2796	CONE MOULE NOIR (1)	HARD END CONE BLACK (1)
14	3	Z6168	AD 53 NOIR ROND STR. (3)	D RING 53MM ROUND BLACK (3)
<b>QUILLE &amp; VALVE -- INFLATABLE KEEL</b>				
17	1	Z8500	QUILLE 260/285/310 STD	KEEL 260/285/310 STD
18	1	Z2846	BOUCHON CLAPET DELRIN(10)	CAP BLACK VALVE (P10)
18	1	Z2847	CORPS CLAPET DELRIN(10)	DELRIN BLACK VALVE (P10)
18	1	Z3292	ECROU EMB DELRIN(10)	DELRIN COLLAR NUT (10)
18	1	Z3293	ROND EMB DELRIN(10)	GASKET INSERT DELRIN BASE
18	1	Z3001	JT NEO.EMBASE CLAPET(25)	GASKET INSERT BASE NEOPRE (25)
18	1	Z3294	EMB F.CARRE DELRIN(10)	DELRN VALV INSRT BASE(10)
<b>PLANCHER GONFLABLE - INFLATABLE HP FLOOR</b>				
19	1	Z60648	PLANCHER H2P MAX 4 AERO	AIR FLOOR H2P MAX 4 AERO
20	1	Z2846	BOUCHON CLAPET DELRIN(10)	CAP BLACK VALVE (P10)
20	1	Z2847	CORPS CLAPET DELRIN(10)	DELRIN BLACK VALVE (P10)
20	1	Z2233	ECROU EMBASE (10)	NUT VALVE INSERT BASE (P10)
20	1	Z2234	RONDELLE EMBASE (10)	GASKET VALVE INSERT BASE (P10)
20	1	Z3001	JT NEO.EMBASE CLAPET(25)	GASKET INSERT BASE NEOPRE (25)
20	1	Z2232	EMBASE CLAPET (10)	VALVE INSERT BASE (P10)
<b>BANC -- WOODEN BENCH</b>				
21	1	Z60518	BANC QUICK FIT 850 GR.CL 05	QUICK FIT BENCH L850 L GREY
21A	2	Z60560	SUPPORT MULTIF.GRIS BANC 05(2)	QUICK FIT BENCH RETAINER GR 05
22	2	Z60734	SUPP BANC RENFORCE T/GR.CL (2)	SUPP/GR.FAB.V2 QCK FIT BENCH
<b>TABLEAU -- TRANSOM</b>				
23	1	Z3224	TABLEAU T3 GRIS ZODIAC	TRANSOM S3 MEDIUM GREY
24	2	Z2250	GLISSIERE TABLEAU NOIR (1)	TRANSOM BRACKET MKI/IGT
25	1	Z60502	VIDE VITE A LEVIER NOIR (1)	SELF BAILER/LEVER TYPE BLACK(1)
26	1	Z60501	MEMBRANE VIDE VITE LEVIER (5)	DIAPHRAGM /02 SELF BAILER (5)
27	1	Z6087	PLAQUE MOTEUR PM 99	MOTOR MOUNTING PLATE S2
28	2	Z3143	TASSEAU MULTIF GR-CL (10)	PLAST.FLOOR RETAINER GR10
29	1	Z2042	PLAQUE MARTYRE VERNIE 12MM	WOODEN TRANSOM PAD12MM WARNISH
<b>EQUIPMENT STANDARD STANDART EQUIPMENT</b>				
	2	Z6300	AVIRON NOIR 1.60XD35 (2)	OAR L160xD 35 BLACK(2)
	2	Z2814	CLIP AVIRON NOIR (2)	BLACK PLASTIC CLIP F/OAR2
	1	Z60979	GONFLEUR BRAVO 9	BELLOWS-BRAVO 9 COMPLETE (1)
	1	Z60811	TUYAU GONFLEUR ANNELE 1M70-08	INFLATABLE HOSE/08 FOOT PUMP
	1	Z6854	RACCORD VALVE ENCAST TUY/GONFL	COUPLING RECESSED VALVE
	1	Z60037	SAC BOMBARD ANNEXE GM 2002	CARRY BAG BBD TENDER "LARGE"
	1	Z6730	V/REP.BATEAUX STRONGAN	STRONGAN BOATS REPAIR KIT
	1	Z6731	PALETTE PIECES TISSU /REPAR.ST	FAB.PATCHES STG FOR REPAIR
	1	Z60186	AUTO-COLLANT SECURITE	STICKER -SAFETY-
	1	Z3018	MAN.PROP T1 GENERALITES	MAN.PROP T1 GENERALITES
	1	Z7105	MAN.PROP T2 - AX	OWN. MAN VOL2 - AX
	1	Z2019	SANGLE RESERVOIR	TIE DOWN STRAP F/AIRFLOOR