

MEDLINE II

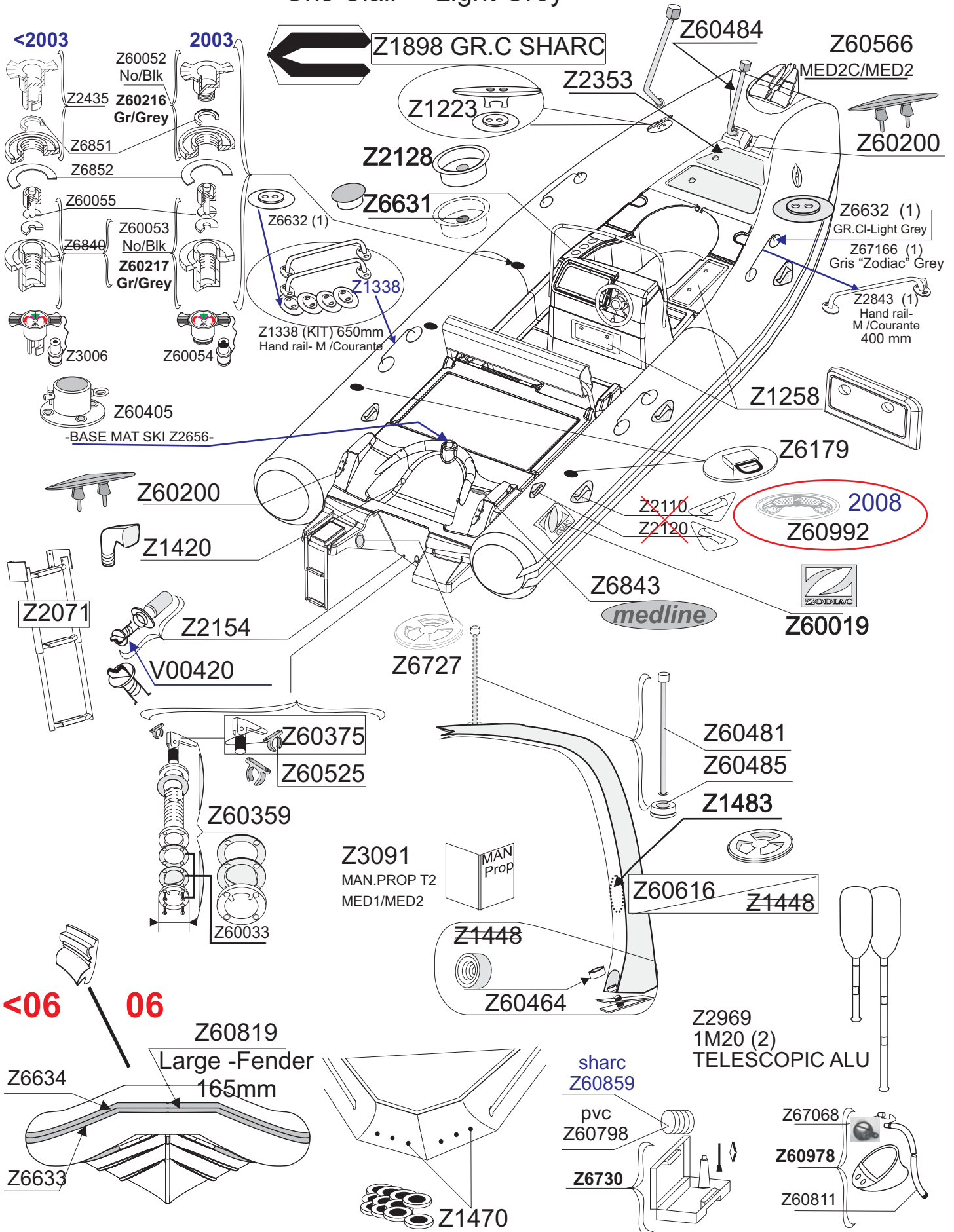
1999-06 PVC
2007-08 Sharc

9109/Z14331/Z14333/Z14338
Z14343/Z14353

Gris Clair ---Light Grey

GDB/01.2010

GDB/08.07



Tissu pour réparation: Corps = 2367 Gris Clair
Fabric for repairs : Tube = 2367 Lighty Grey

Z60856 T/SHARC GR.CL 1200 MAT (ML)
Z60856 LIGHT GREY SHARC FAB. 1200 PM

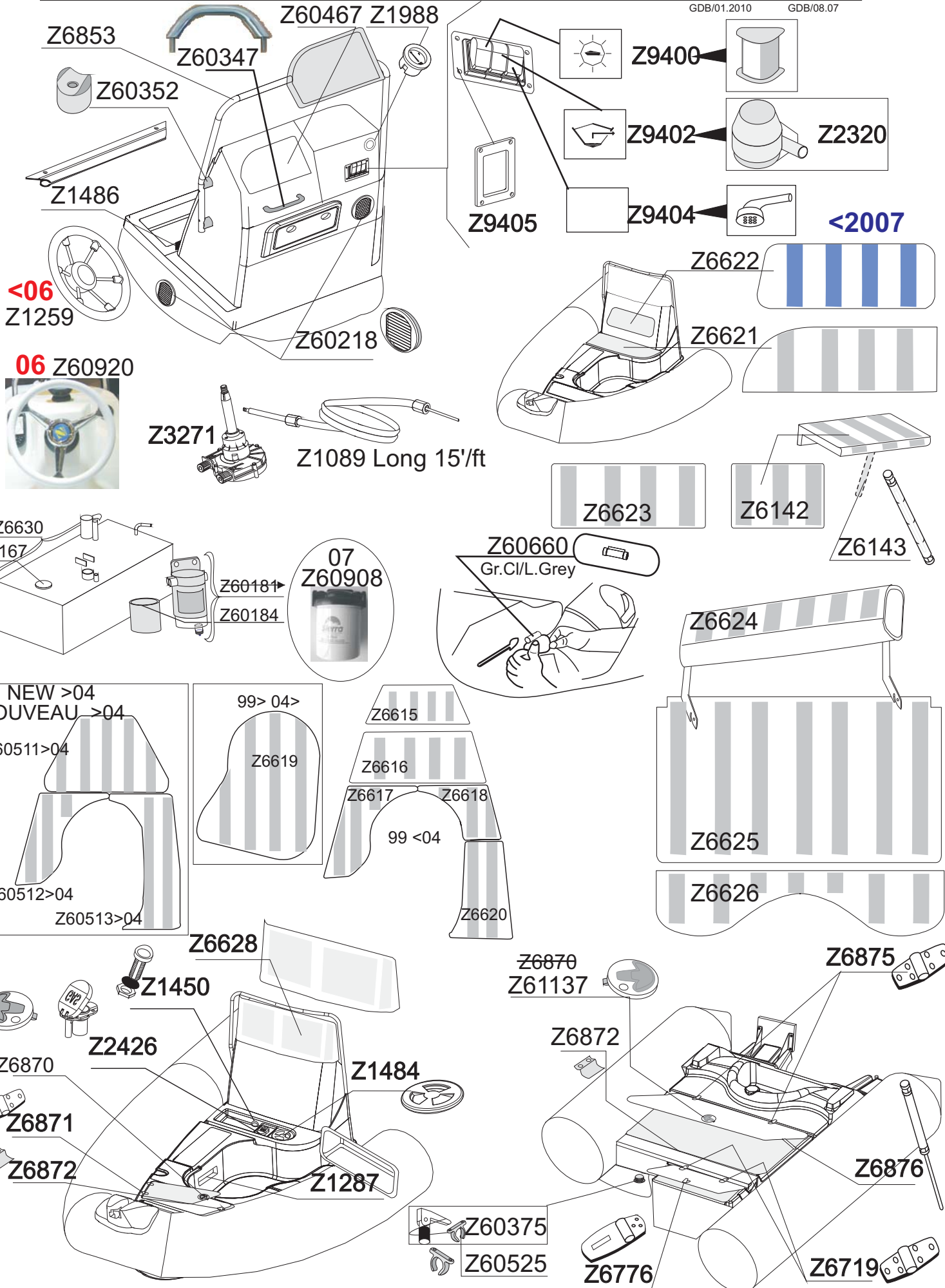
MEDLINE II

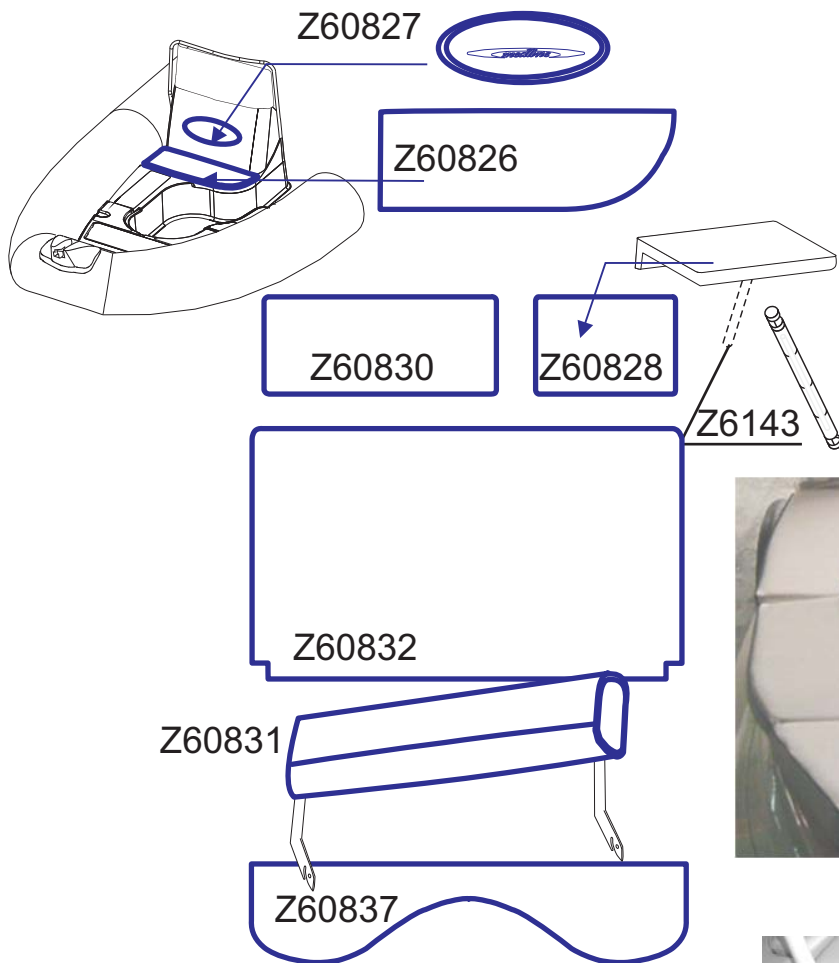
Sellerie bande bleue
White/Bleu Strike Saldery 1999-06

9109/Z14331
Z14333/Z14338

GDB/01.2010

GDB/08.07

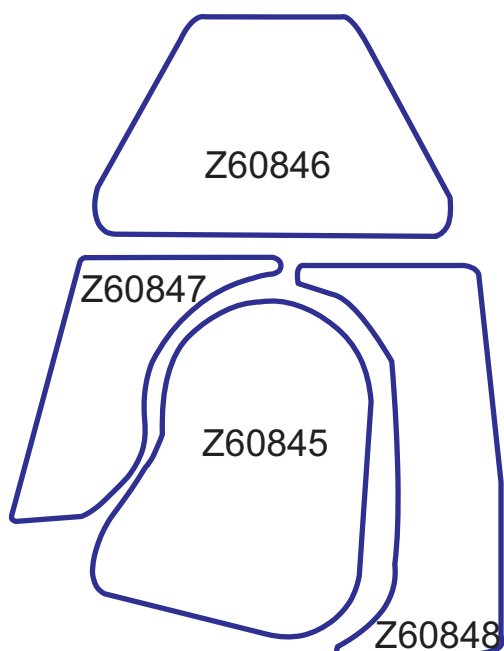




2007



Z60234
PLOT BUTEE DE SIEGE T/BLC (2)



COUSSINS BAIN DE SOLEIL MEDLINE II 2007/08

Upholstery

KIT TABLE/BDS MEDL II >07