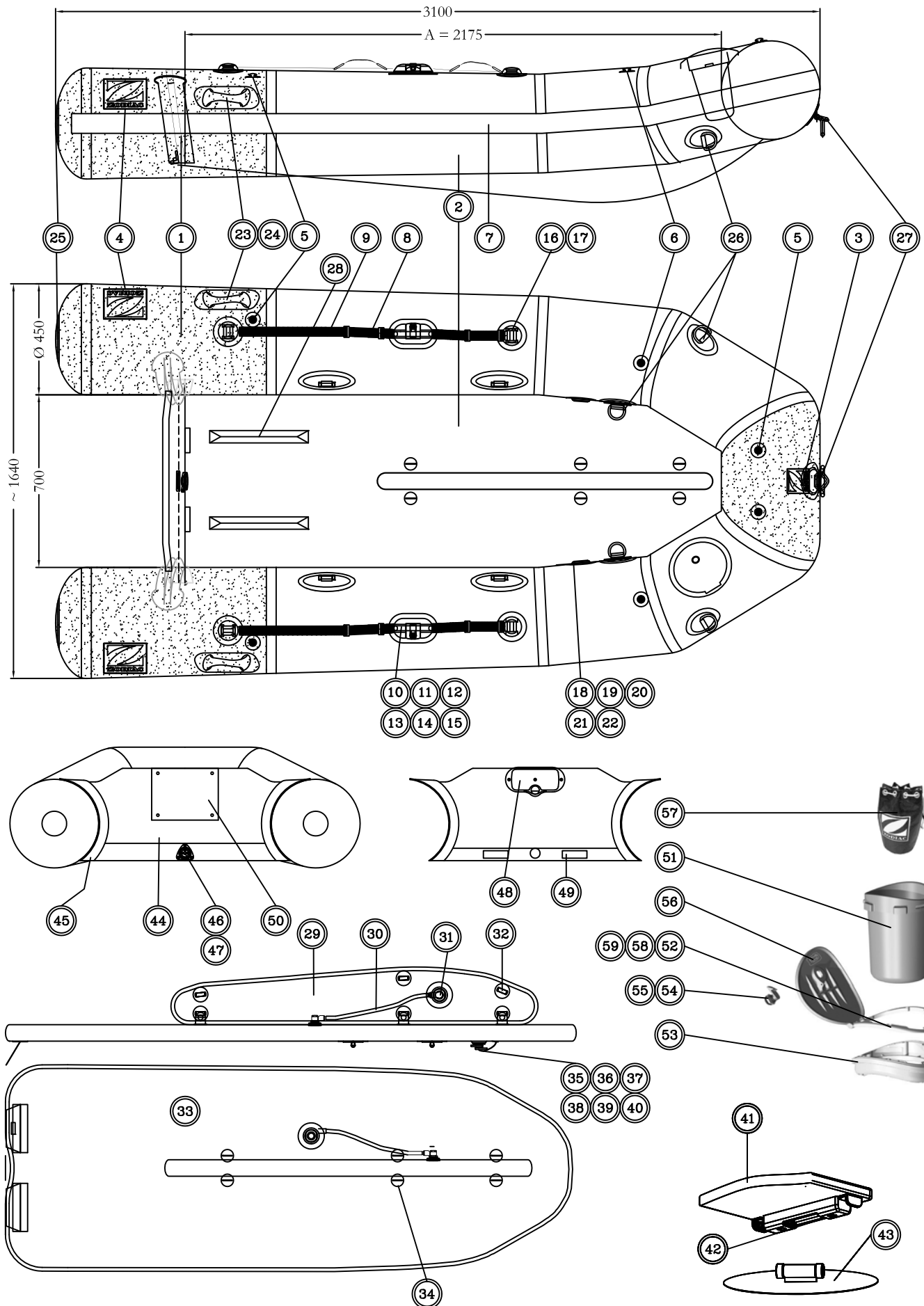


CFR 310 Acti-V - INT-L 2008 - Z11416

N° 3452319 SAV

PCR - 02.2009



Z11416 CADET FR 310 ACTI-V INT-L 2008			03 02 2009	
Rep.	Qty	PTN°	Description FR	Description GB
EQUIPEMENT FLOTTEUR -- BUOYANCY TUBE EQUIPMENT				
1	M	Z7051	T/GRIS ZODIAC REPAR.(1ML)	MEDIUM GREY REPAIR FABRIC
2	M	Z7041	T/REPAR.950 GRIS CLAIR	LIGHT GREY REPAIR FABRIC
3	1	Z60018	LOGO "Z" 02 PM BLEU JAUNE (1)	LOGO "Z" 02 SMALL BLUE YEL(1)
4	2	Z60019	LOGO "Z" 02 GM BLEU JAUNE (1)	LOGO "Z" 02 LARGE BLUE YELL(1)
5	4	Z60725	PLOT FIX.SAC/AVIR.GR.MOYEN (4)	PLAST.ATTACH.OAR MEDIUM GR,
6	2	Z2816	PLOT FIX.SAC/AVIR.GRIS (4)	PLAST.ATTACH.OAR/BAG GR4
7	1	Z60628	DEF GR.M/JAUNE/BLEU 8M10	RUB STRAKE MED.GR/YEL/BLU/8M10
8	4	Z6276	PG SURMOULEE GRISE SNG 35 (2)	HANDLE F/SAFETY STRAP GREY (2)
9	M	Z2893	SANGLE GRISE L35MM (10M)	GREY STRAP 35MM (10M)
10	2	Z60738	TOLET BLOQUEUR AVIRON GRIS (2)	OAR LOCK JUBILEE CLIP GREY (2)
11	2	Z60073	AXE DN BASC. 01 GR-CL (1)	AXE RECL.OAR 01 GREY (1)
12	2	Z2844	AN.AXE DAME BASCUL.GR(10)	RING F/RECL.OAR GR 10
13	2	Z60075	EMBASE 01 DN BASC. GR-CL (1)	SUPPORT RECLINING OAR 01 GREY
14	2	Z60077	COQUILLE. 02 GR-CL DNB. (1)	SWIVEL RECLINING OAR 02 GREY
15	2	Z60078	BOUTON RESSORT DAME NAGE(2)	RETAINER FOR OAR SWIVEL 02 (2)
16	4	Z6428	PAS.SANGL/DRISS.GR/CL.(1)	MOULD.STRAP/ROPE HOLD 1GR
17	4	Z60143	VERROU SANGLE "T" GR. (4)	RETAINER FOR STRAP "T" GR (4)
18	2	Z60216	BOUCHON VIS VALVE ENC GR CL(5)	CAP THREAD RECES.VALVE(5)GREY
19	2	Z6851	JT BOUCHON V.E. (25)	GASKET/CAP RECESSED VALVE (25)
20	2	Z6852	JT ECROU V.E.(10)	GASKET/SCREW RECES.VALVE (10)
21	2	Z60055	SUPPORT CLAP. VALVE ENC.02(10)	RECESSED VALVE INSERT 2002(10)
22	2	Z60217	CORPS VALVE ENCASTREE GR CL(5)	BODY/SCREW.RECES.VALVE GR(5)
23	1	Z3077	PG LAT GAUCHE GRIS/CL 95	GREY CARR HD LEFT 95
24	1	Z3078	PG LAT DROITE GRIS/CL 95	GREY CARR HD RIGHT 95
25	2	Z60608	CONE 05 CALOTTE GR.CL D201	CONE END 05-D201 GREY FABRIC
26	2	Z2303	AD 53 ROND GRIS CLAIR (2)	D RING 53 ROUND L.GREY(2)
27	1	Z60093	PG AV RONDE GRI-CL 03	GB BOW HANDLE LIGHT GREY ROUND 03
28	2	Z2758	PROFIL ANTI DERIVE GRIS 2	ANTI SKIDDING FINNS 52°
PLANCHER - QUILLE & VALVE --- WOODEN FLOOR- INFLATABLE KEEL				
29	1	Z60174	QUILLE H2P C285/310/340 A-V	KEEL H2P C285/310/340 A-V
30	1	Z60094	TUYAU LIAISON QUILLE HPP KIT	HPP KEEL CONNECTION HOSE SET
31	2	Z60905	RACCORD BANJO + JOINTS (10)	BANJO COUPLER + O RING (10)
32	1	Z2886	VERROU SANGLE GRIS (10)	PLAS.STRAP RETAIN/GREY 10
33	1	Z60723	PLANCHER H2P 67MM ACTIV 310/05	AIR FLOOR H2P ACTIV 310/05
34	1	Z60934	PATTE FIX.FOND ACTIV T/GR (6)	STRAP GR.H2P FLOOR RETAINER (6)
35	1	Z2846	BOUCHON CLAPET DELRIN(10)	CAP BLACK VALVE (P10)
36	1	Z2847	CORPS CLAPET DELRIN(10)	DELRIN BLACK VALVE (P10)
37	1	Z2233	ECROU EMBASE (10)	NUT VALVE INSERT BASE (P10)
38	1	Z2234	RONDELLE EMBASE (10)	GASKET VALVE INSERT BASE (P10)
39	1	Z3001	JT NEO.EMBASE CLAPET(25)	GASKET INSERT BASE NEOPRE (25)
40	1	Z2232	EMBASE CLAPET (10)	VALVE INSERT BASE (P10)
BANC -- WOODEN BENCH				
41	1	Z60518	BANC QUICK FIT 850 GR.CL 05	QUICK FIT BENCH L850 L GREY
42	2	Z60560	SUPPORT MULTIF.GRIS BANC 05(2)	QUICK FIT BENCH RETAINER GR 05
43	4	Z60734	SUPP BANC RENFORCE T/GR.CL (2)	SUPP/GR.FAB.V2 QCK FIT BENCH
TABLEAU -- TRANSOM				
44	1	Z3224	TABLEAU T3 GRIS ZODIAC	TRANSOM S3 MEDIUM GREY
45	2	Z3327	GLISSIERE TABLEAU GRISE (1)	TRANSOM BRACKET (1) GREY
46	1	Z61083	VIDE-VITE A LEVIER GRIS (1)	SELF BAILER/LEVER TYPE GREY 1
47	1	Z60501	MEMBRANE VIDE VITE LEVIER (5)	DIAPHRAGM /02 SELF BAILER (5)
48	1	Z6088	PLAQUE MOTEUR GM 99	MOTOR MOUNTING PLATE S2
49	2	Z3143	TASSEAU MULTIF GR-CL (10)	PLAST.FLOOR RETAINER GR10
50	1	Z2042	PLAQUE MARTYRE VERNIE 12MM	WOODEN TRANSOM PAD12MM WARNISH
BOITE DE RANGEMENT ---INT-L BOX				
51		Z67031	BOITE NUE RANGEMENT GR-CL 08	BOX INT-L GREY 08
52		Z67032	BRIDE SUP. GR-CL (+couvercle)	CLAMP BOX - UPPER / LID
53		Z67033	BRIDE INF. GR-CL	CLAMP BOX LOWER
54		Z67034	SERRURE BOITE RGT 08	LOCKER INT-L BOX
55		Z67035	CLE DB3 BOITE RGT INT-L	KEY INT-L BOX
56		Z67018	STICKER WARNING BOITE INT-L	STICKER WARNING INT-L BOX
57		Z61143	SAC ZODIAC INT-L	INT-L ZODIAC BAG
58		Z67073	VIS CHC TB M6X45 INOX A2 (6)	SCREW M6X45 S/S (6)
59		Z67039	CAPUCHON M5 GRIS (6)	PTT CAP GR (6)
EQUIPMENT STANDARD STANDART EQUIPMENT				
2		Z6425	AVIRON GRIS 1.60XD35 (2)	GREY OAR 1.60XD35 (2)
2		Z2815	CLIP AVIRON GRIS CLAIR(2)	OAR CLIP -GREY PLASTIC- (2)
1		Z60980	GONFLEUR + MANO BRAVO 9	BELLOWS+MANO BRAVO 9 COMPLETE
1		Z60811	TUYAU GONFLEUR ANNELE 1M70-08	INFLATABLE HOSE/08 FOOT PUMP
1		Z67068	RACCORD CL16 STANDARD	COUPLING CL16 STANDARD
1		Z60981	MANOMETRE-GONFLEUR A PIEDS 08	PRESSURE GAUGE 08 FOOT PUM
1		Z60035	SAC ZODIAC ANNEXE GM 2002	CARRY BAG ZODIAC TENDER LARGE
1		Z6730	V/REP.BATEAUX STRONGAN	STRONGAN BOATS REPAIR KIT
1		Z60798	PALETTE TISSU STG P/REPAR.06	COLOURED FAB.PVC 06 F/REPAIR
1		Z60186	AUTO-COLLANT SECURITE	STICKER -SAFETY-
1		Z3018	MAN.PROP T1 GENERALITES	MAN.PROP T1 GENERALITES
1		Z60360	MAN PROP. T2 CADET FR.ACTI-V	OWNERS MAN V.2 CADET FR ACTI-V
1		Z2019	SANGLE RESERVOIR	TIE DOWN STRAP F/AIRFLOOR

