



ZODIAC

2009- TYPHOON / ZOOM / AX & MAX BOMBARD & '09 RANGE PIECES DETACHEES --- SPARE PARTS

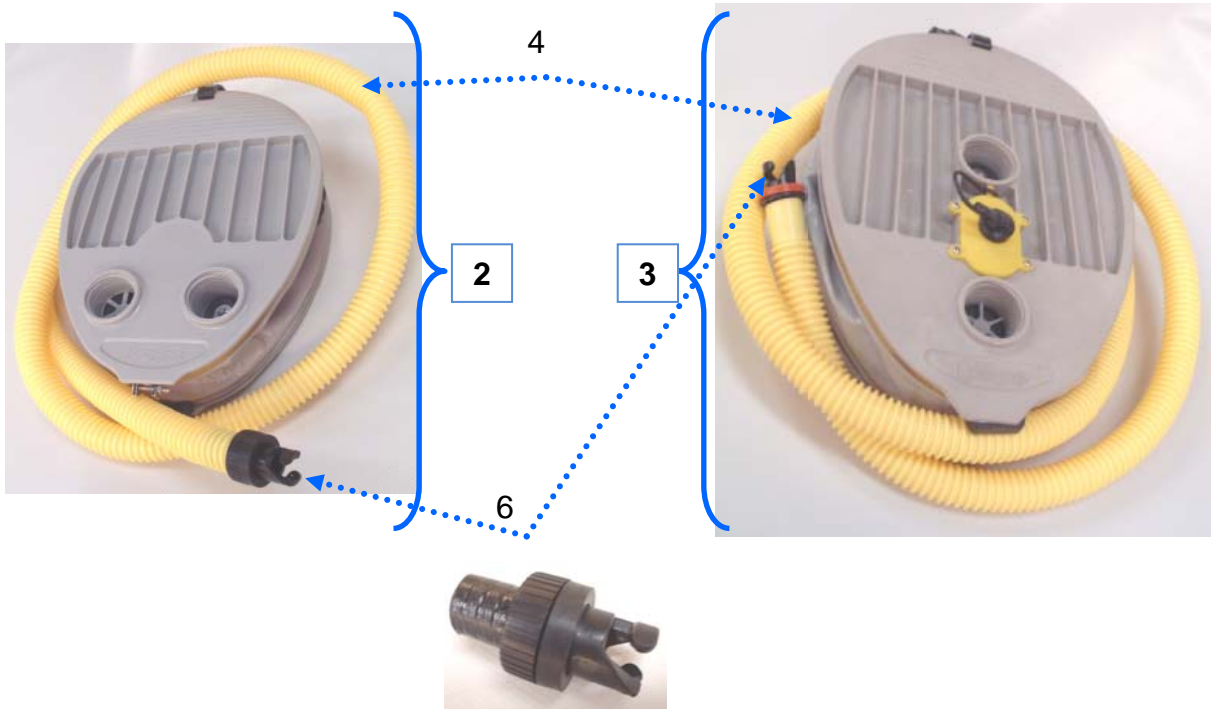
23 02 09



1

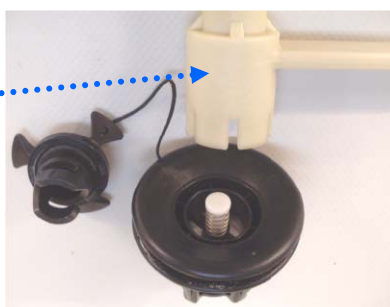


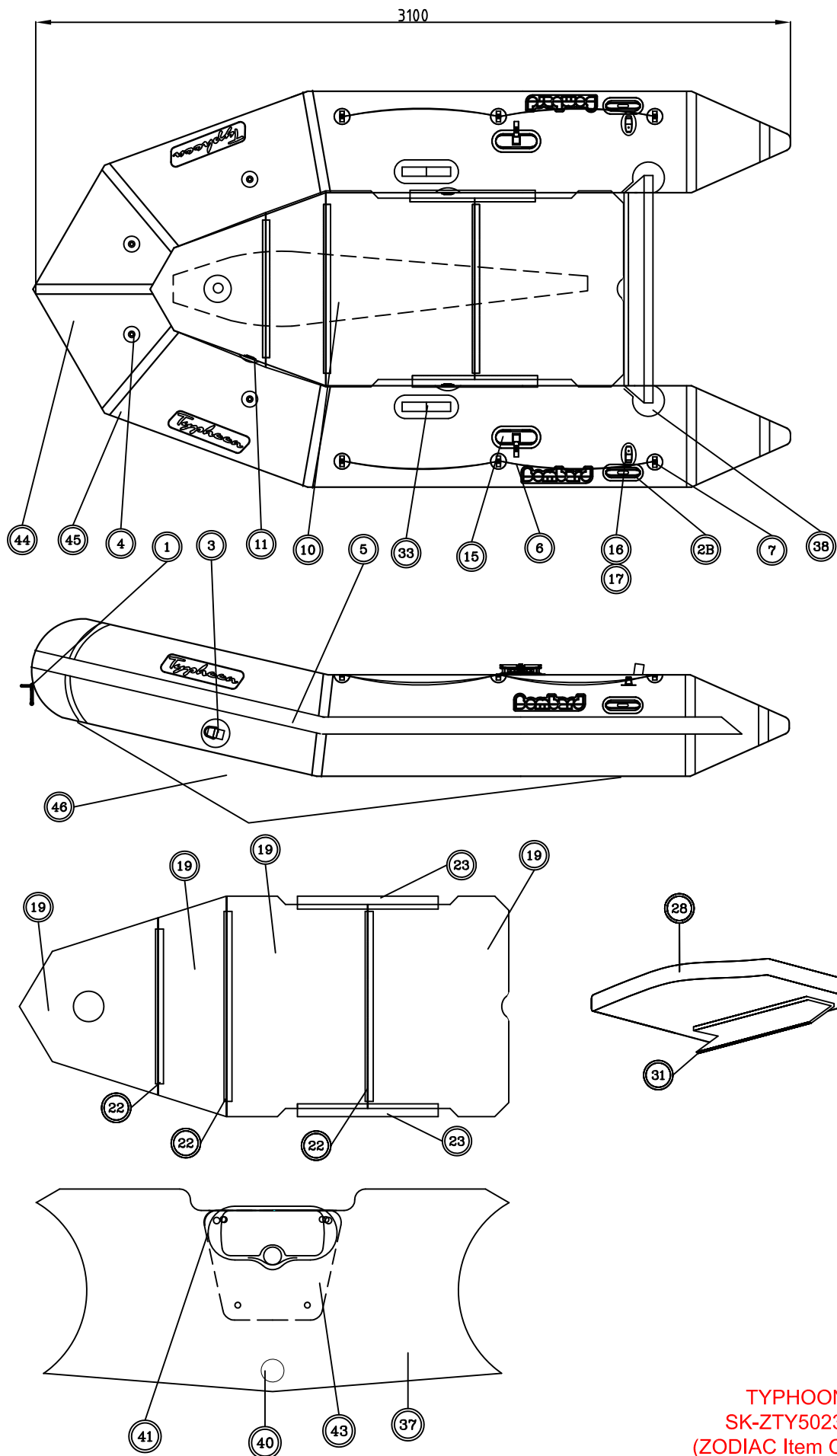
5



PTN°	PTN°	DESIGNATION	DESIGNATION
1	Z67151	VALVE BRAVO 05 NOIRE (1)	Valve - standard -Inflation valve
2	Z67161	GONFLEUR BV7- VALVE BV5	Whole range except HP FLOOR
3	Z67162	GONFLEUR BV9- VALVE BV5	HP Floor foot pump
4	Z67163	TUYAU GONFLEUR EMBOUT VE BV5	Tuyau - standard - Hose
5	Z67152	MANO VALVE BRAVO 05	Pressure Gauge valve BV5
6	Z67164	EMBOUT VALVE BV5	Connector BV5 VALVE
7	Z67105	CLE VALVE PUSH PUSH 09	Spanner 09 for recessed Valves

7





TYPHOON 310 S
 SK-ZTY5023p-N-ACC
 (ZODIAC Item Code:Z55023)
 PCR 23.04.09

11/02/2009 MODEL		PLANCHER	FOND HP	PLANCHER	PLANCHER	
		WOODEN FLOOR	GONFLABLE	WOODEN FLOOR	WOODEN FLOOR	
DESIGNATION	PTN°	rep	TYPHOON 310S Z55023	TYPHOON 310 aéro Z55024	TYPHOON 360S Z55025	TYPHOON 420S Z55026
	EQUIPEMENT FLOT.TUBE / KEEL -QUILLE					
POIGNEE AVANT GRIS (1) / BOW D-RING GREY	Z69348	1	X	X	X	X
POIGNEE PORTAGE/BLACK HANDLE (2) PM	Z69301	2				
POIGNEE PORTAGE/BLACK HANDLE (2) GM	Z69302	2B	X	X	X	X
ANNEAU REMORQUAGE/TOWING RING (2) BLEU	Z69349	3	X	X	X	X
PLOT FIXATION NO/BOW BAG FITTING	Z69304	4	X	X	X	X
DEFENSE / RUBSTRAKE BLUE+2WHITE 110mm 1TD L= 15 M	Z69398	5	X	X	X	X
DRISSE / ROPE BLUE L=8M	Z69306	6	X	X	X	X
PASSE DRISSE / ROPE HOLDER ZOOM (6)	Z69307	7	X	X	X	X
QUILLE/KEEL 310 Long. 2110MM	Z69350	8	X	X		
QUILLE/KEEL 360 Long. 2495MM	Z69351	9			X	
QUILLE/KEEL 420 Long. 2980MM	Z69352	10				X
VALVE NOIRE / INFLAT. VALVE 09	Z67151	11	X	X	X	X
DAME DE NAGE/RECLINING OAR SUP (1)	Z69311	15	X	X	X	X
AXE-DN BASCUL.09 KIT/ AXE - RECLINING FIX OAR 09 (2)	Z69346	15B				
CLIP P/REPOSE AVIRON/CLIP OAR STOPPER ZOOM (2)	Z60041	17	X	X	X	X
PLANCHER-LATTES						
PLANCHER BLUE/PLYWOOD BLUE TYPHOON 310	Z69353	19	X			
PLANCHER BLUE/PLYWOOD BLUE TYPHOON 360	Z69354	20			X	
PLANCHER BLUE/PLYWOOD BLUE TYPHOON 420	Z69355	21				X
PROFIL" H" JONCTION T310 KIT ALUM.H ALUM.T310	Z69356	22	X			
PROFIL" H" JONCTION T360 KIT ALUM.H ALUM.T360	Z69357				X	
PROFIL" H" JONCTION T420 KIT ALUM.H ALUM.T420	Z69358					X
LONGERON/STRINGER ZOOM 260 L650 (2)	Z69319	23	X			
LONGERON/STRINGER ZOOM 310 L1050 (2)	Z69320	24			X	
LONGERON/STRINGER ZOOM 350 L650 (4)	Z69321	25				X
PLANCHER/MATTRESS H2P TYPHOON 310 AERO	Z69359	26		X		
SUPPORT RESERVOIR TISSU	Z69323	27		X		
BANC -- WOODEN BENCH						
BANC/BENCHE MODELE L=1000	Z69361	28	X	X		
BANC/BENCHE MODELE L=1100	Z69362	29			X	
BANC/BENCHE MODELE L=1150	Z69363	30				X
EQUERRE FIXATION BANC / SEAT HOOK (2)	Z69327	31	X	X	X	X
PATTE FIXATION BANC BLEU/BENCH FITTING(2) BLUE	Z69328	32				
PATTE FIXATION BANC GRIS/BENCH FITTING(2) GREY	Z69329	33	X	X	X	X
TABLEAU -- TRANSOM						
TABLEAU BLEU/TRANSOM BLUE TYPHOON310	Z69364	34	X			
TABLEAU BLEU/TRANSOM BLUE TYPHOON360	Z69365	36			X	
TABLEAU BLEU/TRANSOM BLUE TYPHOON420	Z69366	37				X
SEMELLE/TRANSOM HOLDERS 24 mm	Z69335	38	X	X		
SEMELLE/TRANSOM HOLDERS 36 mm	Z69367	39			X	X
VIDE-VITE/DRAIG PLUG D SET NOIR	Z69336	40	X	X	X	X
PLAQUE MOTEUR/MOTOR MOUNTING PLATE	Z69337	41	X	X	X	X
TASSEAUHPP/PLAST.FLOOR RETAINER GREY (2)	Z69338	42		X		
PLAQUE MARTYRE/WOODEN TRANSOM PAD 12MM	Z69339	43	X	X	X	X
EQUIPEMENT STANDARD -- EQUIPMENT STANDARD						
AVIRON/OAR d35 1,6 (2) + 2 TOLETS/THOLE PIN	Z67066		X		X	X
TOLETS NOIR/THOLE PIN BLACK D35+NOTI.SCOP 09	Z67067		X		X	X
GONFLEUR/FOOT PUMP BV7- VALVE BV5	Z67161		X	X	X	X
GONFLEUR/FOOT PUMP BV9- VALVE BV5	Z67162			X		
TUYAU GONFLEUR/INFLAT.HOSE F/B5VALVE	Z67163		X	X	X	X
EMBOUT VALVE/CONNECTOR VALVE BV5	Z67164		X	X	X	X
MANO/PRESURE GAUGE VALVE BRAVO 05	Z67152		X	X	X	X
SAC/BAG BOMBARD	Z69368		X	X	X	X
REP.KIT COMPLET/RAPAIR KIT COMPLETE	Z69341		X	X	X	X
MAN.PROP T1 GENERALITES	Z3018		X	X	X	X
MAN PROP. T2 TYPHOON/MANUEL PROP T2 TYPHOON	Z69369		X	X	X	X
CLE VALVE PUSH PUSH 09/SPANNER 09 REC.VALV.	Z67105		X	X	X	X
T/REPARATION GR-CL / LIGHT GREY FABRIC	Z7041	44				
T/REPARATION BL-MA (M) / NAVY BLUE REPAIR FABRIC	Z60395	45				
T/REPARATION PVC NOIR (M) / BLACK REPAIR FABRIC	Z7177	46				
EQUIPEMENT EN OPTION -- OPTION EQUIPMENT						
SAC AVANT T2 / BOW BAG MEDIUM	Z69344		X	X	X	X

