

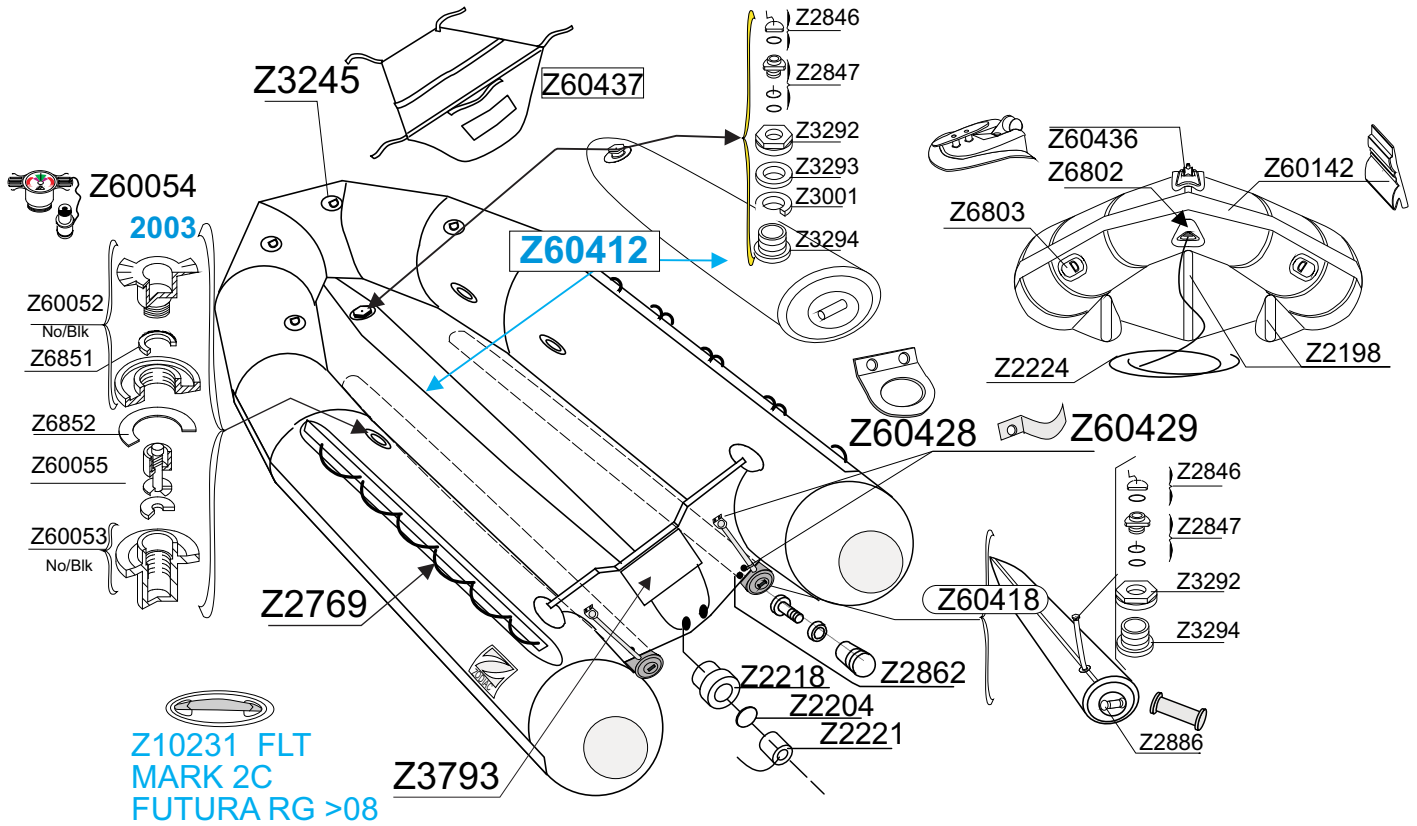
MARK 2 C FUTURA 2004 >10 Z12208- FR-HP P:1/2

GDB/09/05 GDB 03/10

ROUGE
RED

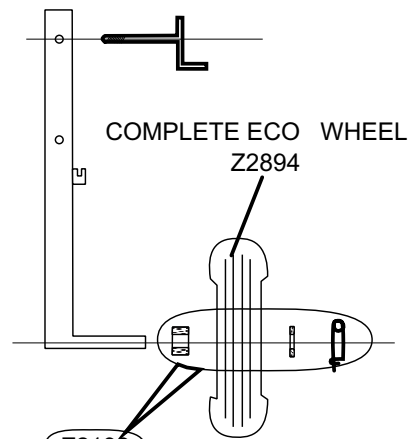
Z12211- ST-BOIS-WOOD
Z12214- HD- alum.

Long/3m70

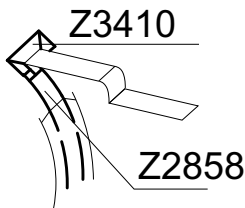


Spares Parts - Pièces Dét. GDB/02.08

Z1290 Z61110 & Z1282
Z2281 TURNKEYS F WHEEL SET(2)

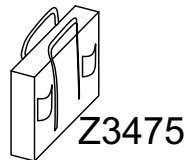


KIT STOPBOLT+GASKETS F/1290(2)

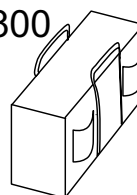


Z2969 1M20 (2)
TELESCOPIC ALU

1999



Z3800



Z60019

Z2099

Z60421

Z6905

Z2241 (10)

2008

Z60993

<2008

Z2995 Z2994
G-Left / D-Right

Z67068

Z60980

Z60811

Z60981

Z60798

Z6730

2008

Tissu pour réparation: Corps = Z7131 Rouge
Fabric for repairs : Tube = Z7131 Red

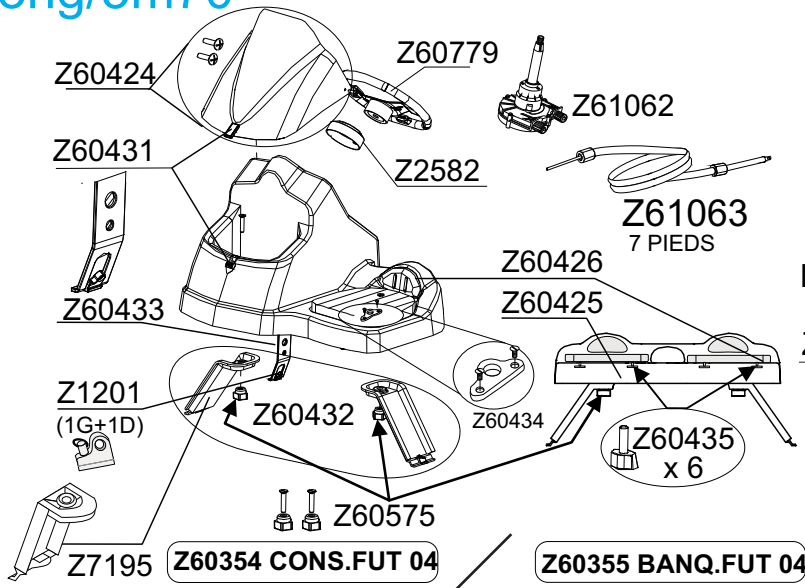
Fond = Z7177 Noir
Bottom = Z7177 Black

MARK 2 C FUTURA 2004 >10 Z12208- FR-HP P:2/2

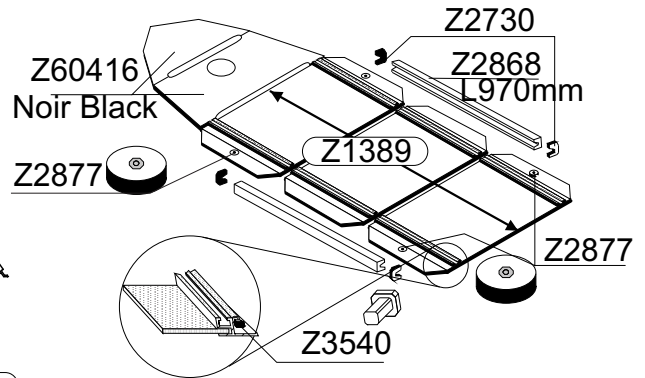
GDB/09/05 GDB 03/10
Long/3m70

**ROUGE
 RED**

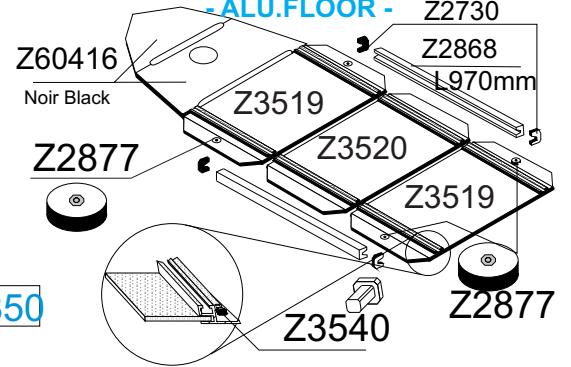
**Z12211- ST-BOIS-WOOD
 Z12214- HD- alum.**



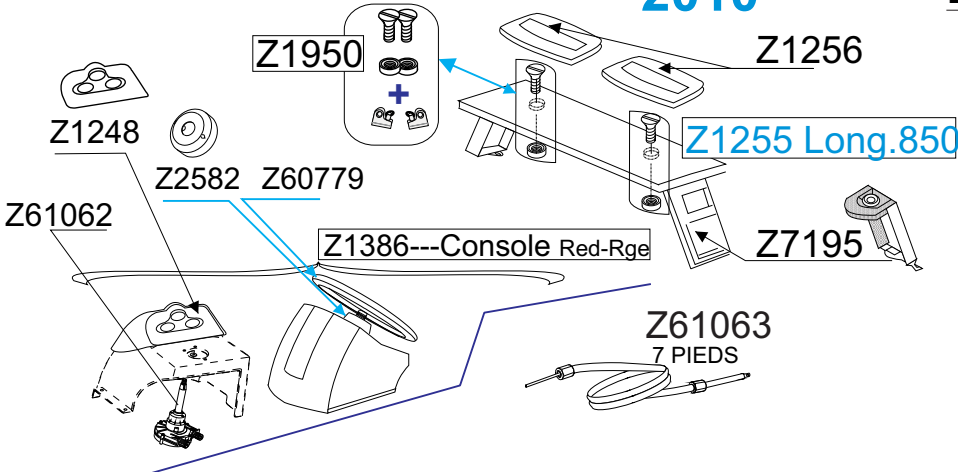
**Z10206 - PLANCH.BOIS
 -WOOD.FLOOR- 2C**



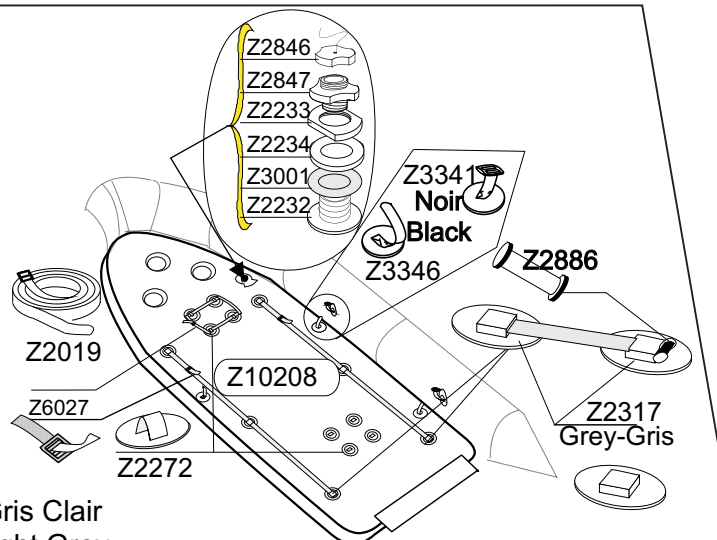
**Z10207 - PLANCHER HD- 2C
 -ALU.FLOOR -**



Z12214MC MK 2C FUTURA ALU 2010



**Z10208 - PLANCHER
 GONFLABLE
 Futura HP-FLOOR- 2C**



Tissu pour réparation Fond H2P =Z7041 Gris Clair
 Fabric for repairs H2P Floor =Z7041 Light Grey