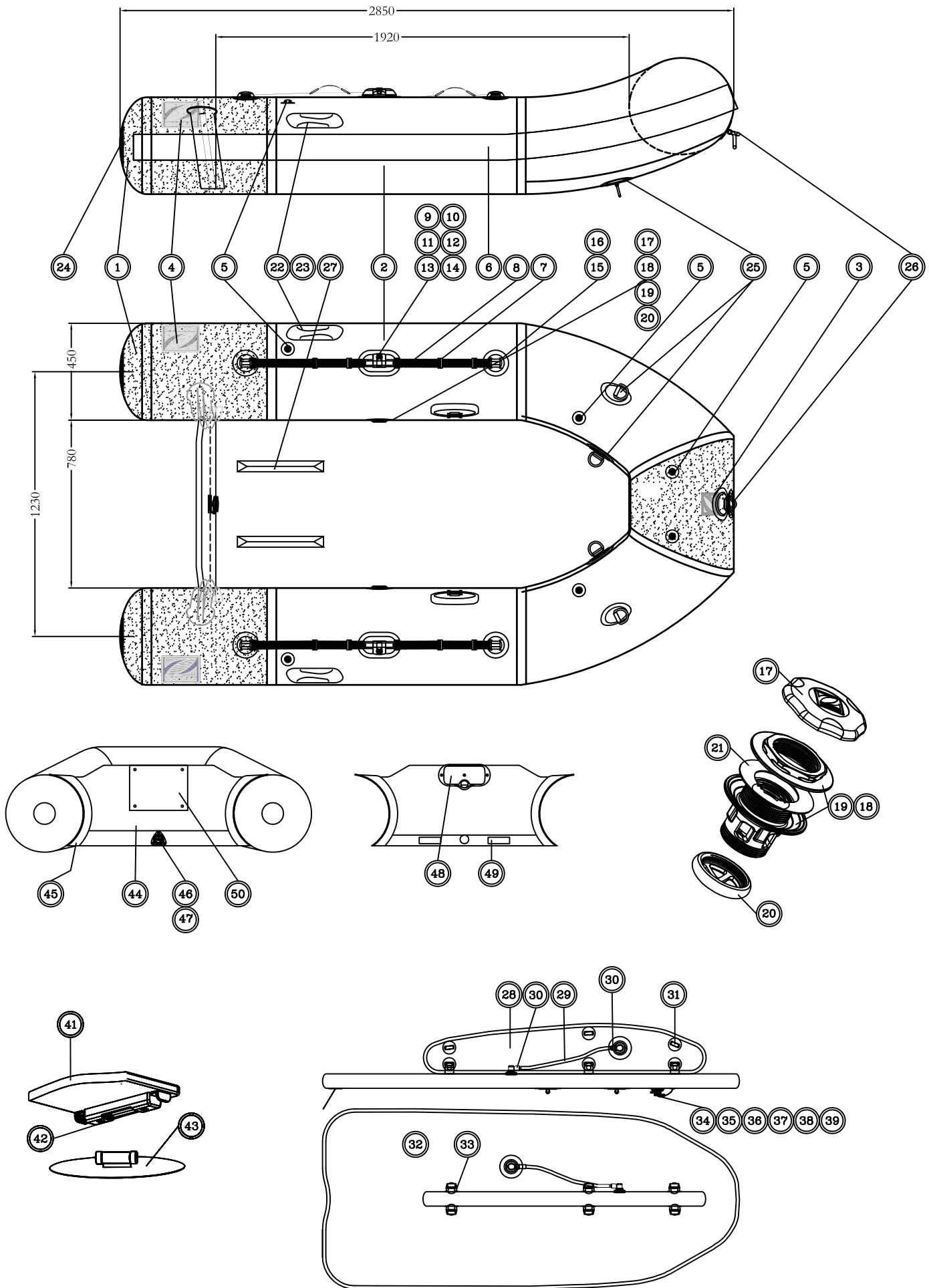


# Cadet 285 Fastroller - Z11418



Z11418 CADET 285 FASTROLLER 09				6 01 2009
Rep.	Qty	PTN°	Description FR	Description GB
EQUIPMENT FLOTTEUR -- BUOYANCY TUBE EQUIPMENT				
1	M	Z7041	T/REPAR.950 GRIS CLAIR	LIGHT GREY REPAIR FABRIC
2	M	Z7197	T/BLANC AX/YL	WHITE REPAIR FABRIC
3	1	Z60020	LOGO "Z" 02 PM BLANC-GRIS (1)	LOGO "Z" 02 PM BLANC-GRIS (1)
4	2	Z60021	LOGO "Z" 02 PM BLANC-GRIS (1)	LOGO "Z" 02 LARGE WHITE GREY 1
5	6	Z2816	PLOT FIX.SAC/AVIR.GRIS (4)	PLAST.ATTACH.OAR/BAG GR4
6	1	Z67037	DEF N120 GR.M/BLC/GR.CL L.8M60	RUBSTRAKE L120 M.GR/W/L.GR 8M6
7	4	Z6276	PG SURMOULEE GRISE SNG 35 (2)	HANDLE F/SAFETY STRAP GREY (2)
8	M	Z2893	SANGLE GRISE L35MM (10M)	GREY STRAP 35MM (10M)
9	2	Z60738	TOLET BLOQUEUR AVIRON GRIS (2)	OAR LOCK JUBILEE CLIP GREY (2)
10	2	Z60073	AXE DN BASC. 01 GR-CL (1)	AXE RECL.OAR 01 GREY (1)
11	2	Z2844	AN.AXE DAME BASCUL.GR(10)	RING F/RECL.OAR GR 10
12	2	Z60075	EMBASE 01 DN BASC. GR-CL (1)	SUPPORT RECLINING OAR 01 GREY
13	2	Z60077	COQUILLE. 02 GR-CL DNB. (1)	SWIVEL RECLINING OAR 02 GREY
14	2	Z60078	BOUTON RESSORT DAME NAGE(2)	RETAINER FOR OAR SWIVEL 02 (2)
15	4	Z6428	PAS.SANGL/DRISS.GR/CL.(1)	MOULD.STRAP/ROPE HOLD 1GR
16	4	Z60143	VERROU SANGLE "T" GR. (4)	RETAINER FOR STRAP "T" GR (4)
17	2	Z67079	BOUCH.VALVE 09 LOGO"Z" G-CL(2)	CAP VALVE 09 W/O LOGO GR(2)
18	2	Z67080	VALVE PUSH PUSH 09 (2)	VALVE INSERT PUSH PUSH 09 (2)
19	2	Z67092	VALVE MONTEE 09 GR-CL (1)	BODY +SCREW +VALVE 09 GREY(1)
20	2	Z67090	PTT INF.FILETAGE VALVE 09 (2)	BOTTOM GUARD THREAD 09 VALVE-2
21	2	Z6852	JT ECROU V.E.(10)	GASKET/SCREW RECES.VALVE (10)
22	1	Z3077	PG LAT GAUCHE GRIS/CL 95	GREY CARR HD LEFT 95
23	1	Z3078	PG LAT DROITE GRIS/CL 95	GREY CARR HD RIGHT 95
24	2	Z60608	CONE 05 CALOTTE GR.CL D201	CONE END 05-D201 GREY FABRIC
25	4	Z6128	AD 53 ROND BLANC STR.(5)	D RING 53MM ROUND WHITE (5)
26	1	Z60093	PG AV RONDE GRI-CL 03	BOW HANDLE LIGHT GREY ROUND 03
27	2	Z2758	PROFIL ANTI DERIVE GRIS 2	ANTI SKIDDING FINNS 52°
PLANCHER H2P & QUILLE H2P -- H2P KEEL & H2P FLOOR				
28	1	Z60174	QUILLE H2P C285/310/340 A-V	KEEL H2P C285/310/340 A-V
29	1	Z60094	TUYAU LIAISON QUILLE HPP KIT	HPP KEEL CONNECTION HOSE SET
30	2	Z60905	RACCORD BANJO + JOINTS (10)	BANJO COUPLER + O RING (10)
31	1	Z2886	VERROU SANGLE GRIS (10)	PLAS.STRAP RETAIN/GREY 10
32	1	Z67026	PLANCH. H2P CLUB 4 08 A-V 67MM	AIR FLOOR H2P CLUB 4 08 A-V 67
33	6	Z60934	PATTE FIX.FOND ACTIV T/GR (6)	STRAP GR.H2P FLOOR RETAINER (6)
34	1	Z2846	BOUCHON CLAPET DELRIN(10)	CAP BLACK VALVE (P10)
35	1	Z2847	CORPS CLAPET DELRIN(10)	DELRIN BLACK VALVE (P10)
36	1	Z2233	ECROU EMBASE (10)	NUT VALVE INSERT BASE (P10)
37	1	Z2234	RONDELLE EMBASE (10)	GASKET VALVE INSERT BASE (P10)
38	1	Z3001	JT NEO.EMBASE CLAPET(25)	GASKET INSERT BASE NEOPRE (25)
39	1	Z2232	EMBASE CLAPET (10)	VALVE INSERT BASE (P10)
40	1	Z2019	SANGLE RESERVOIR	TIE DOWN STRAP F/AIRFLOOR
BANC -- WOODEN BENCH				
41	1	Z60519	BANC QUICK FIT 950 GR.CL 05	QUICK FIT BENCH L950 L GREY
42	2	Z60560	SUPPORT MULTIFONCTION GRIS (2)	QUICK FIT BENCH RETAINER GR 05
43	2	Z60735	SUPP BANC RENFORCE T/BLANC (2)	SUP/WHITE FAB V2 QCK FIT BENCH
TABLEAU -- TRANSOM				
44	1	Z60460	TABLEAU 340 GR.ZOD T5 >2000	TRANSOM FLAT BOTTOM 340>2000
45	2	Z3327	GLISSIERE TABLEAU GRISE (1)	TRANSOM BRACKET (1) GREY
46	1	Z61083	VIDE-VITE A LEVIER GRIS (1)	SELF BAILER/LEVER TYPE GREY 1
47	1	Z60501	MEMBRANE VIDE VITE LEVIER (5)	DIAPHRAGM /02 SELF BAILER (5)
48	1	Z6087	PLAQUE MOTEUR PM 99	MOTOR MOUNTING PLATE S1
49	2	Z3143	TASSEAU MULTIF GR-CL (10)	PLAST.FLOOR RETAINER GR10
50	1	Z2042	PLAQUE MARTYRE VERNIE 12MM	WOODEN TRANSOM PAD12MM WARNISH
EQUIPMENT STANDARD STANDART EQUIPMENT				
	2	Z6425	AVIRON GRIS 1.60XD35 (2)	GREY OAR 1,60XD35 (2)
	2	Z2815	CLIP AVIRON GRIS CLAIR(2)	OAR CLIP -GREY PLASTIC- (2)
60	1	Z60980	GONFLEUR + MANO BRAVO 9	BELLOWS+MANO BRAVO 9 COMPLETE
61	1	Z60811	TUYAU GONFLEUR ANNEE 1M70-08	INFLATABLE HOSE/08 FOOT PUMP
62	1	Z67068	RACCORD CL16 STANDARD	COUPLING CL16 STANDARD
63	1	Z60981	MANOMETRE-GONFLEUR A PIEDS 08	PRESSURE GAUGE 08 FOOT PUM
	1	Z60035	SAC ZODIAC ANNEXE GM 2002	CARRY BAG ZODIAC TENDER LARGE
	1	Z6730	V/REP.BATEAUX STRONGAN	STRONGAN BOATS REPAIR KIT
	1	Z60798	PALETTE TISSU STG P/REPAR.06	COLOURED FAB.PVC 06 F/REPAIR
	1	Z60186	AUTO-COLLANT SECURITE	STICKER -SAFETY-
	1	Z3018	MAN.PROP T1 GENERALITES	MAN.PROP T1 GENERALITES
	1	Z60360	MAN PROP. T2 CADET FR.ACTI-V	OWNERS MAN V.2 CADET FR ACTI-V
64		Z67105	CLE VALVE PUSH PUSH 09	SPANNER PUSH PUSH VALVE 09

