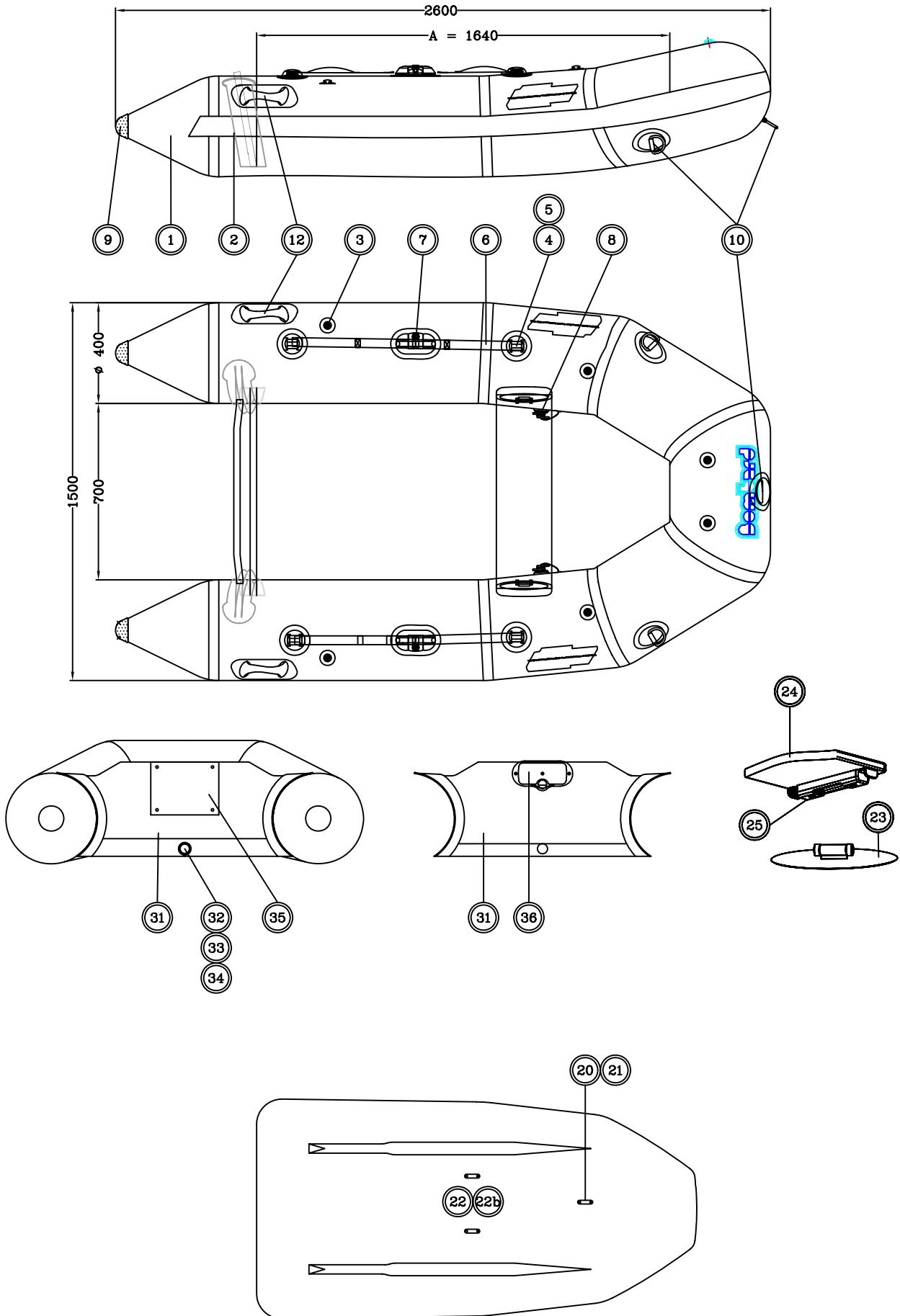


# Z51301C AX 300 - 2008



## Z51301C AX 300 2008

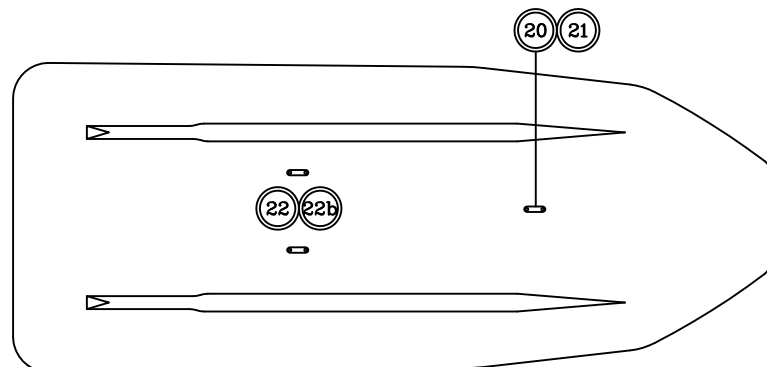
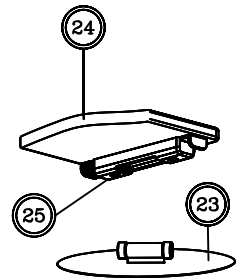
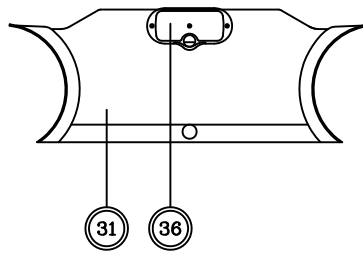
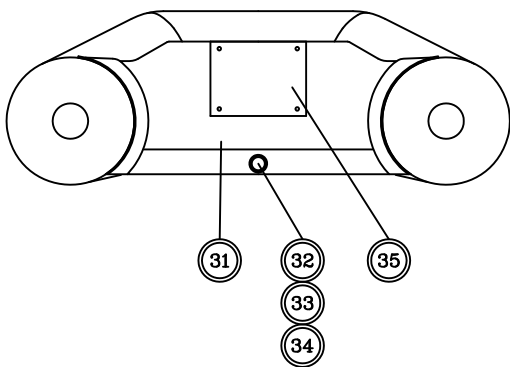
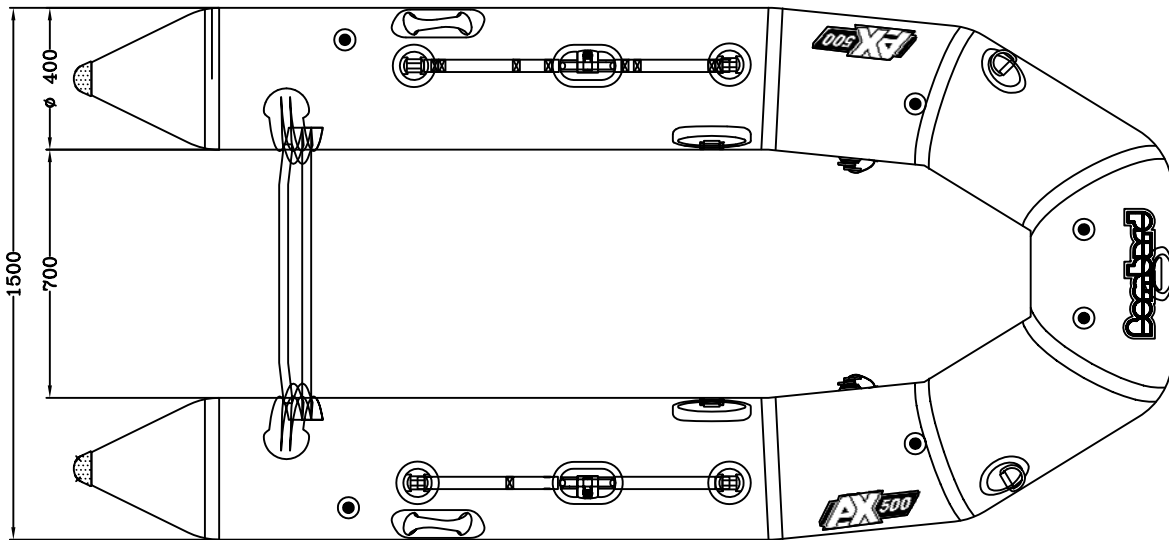
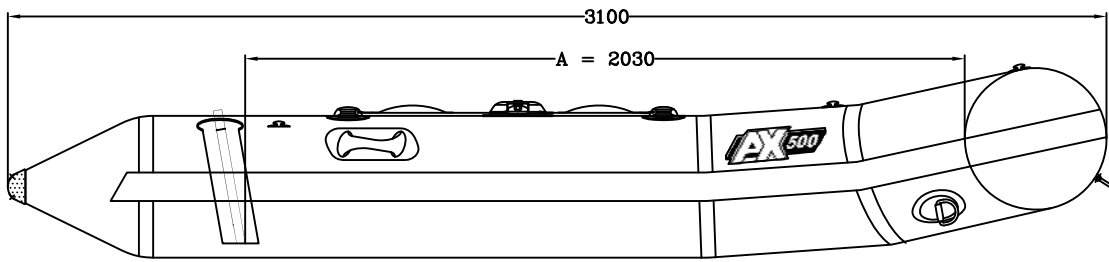
dja le 04.03.2008

Rep.	Qty	PTN°	Description FR	Description GB
		EQUIPMENT FLOTTEUR -- BUOYANCY TUBE EQUIPMENT		
1	M	Z7041	T/REPAR.950 GRIS CLAIR	LIGHT GREY REPAIR FABRIC
2	1	Z60148	DEF.AX BLEU + BLANC	RUB.STRAKE AX BIUE + WH
3	2	Z2816	PLOT FIX.SAC/AVIR.GR.CL (4	PLAST.ATTACH.OAR/BAG L.GR(4)
4	4	Z6428	PAS.SANGL/DRISS.GR/CL.(1)	MOULD.STRAP/ROPE HOLD 1GR
5	4	Z60145	VERROU DRISSE "TE" GR. (4)	RETAINER FOR ROPE "T" GR. (4)
6	M	Z2893	SANGLE GRISE L35MM (10M)	GREY STRAP 35MM (10M)
6A	4	Z6276	PG SURMOULEE GRISE SNG 35 (2)	HANDLE F/SAFETY STRAP GREY (2)
7	2	Z60738	TOLET BLOQUEUR AVIRON GRIS (2)	OAR LOCK JUBILEE CLIP GREY (2)
7	2	Z60073	AXE DN BASC. 01 GR-CL (1)	AXE RECL.OAR 01 GREY (1)
7	2	Z2844	AN.AXE DAME BASCUL.GR(10)	RING F/RECL.OAR GREY PLAST.10
7	2	Z60075	EMBASE 01 DN BASC. GR-CL (1)	SUPPORT RECLINING OAR 01 GREY
7	2	Z60077	COQUILLE. 02 GR-CL DNB. (1)	SWIVEL RECLINING OAR 02 GREY
7	2	Z60078	BOUTON RESSORT DAME NAGE(2)	RETAINER FOR OAR SWIVEL 02 (2)
8	2	Z2846	BOUCHON CLAPET DELRIN(10)	CAP BLACK VALVE (P10)
8	2	Z2847	CORPS CLAPET DELRIN(10)	DELRIN BLACK VALVE (P10)
8	2	Z3292	ECROU EMB DELRIN(10)	DELRIN COLLAR NUT (10)
8	2	Z3293	ROND EMB DELRIN(10)	GASKET INSERT DELRIN BASE
8	2	Z3001	JT NEO.EMBASE CLAPET(25)	GASKET INSERT BASE NEOPRE (25)
8	2	Z3294	EMB F.CARRE DELRIN(10)	DELRN VALV INSRT BASE(10)
9	3	Z2795	CONE MOULE GR.CL (1)	CONE MOULE GR.CL (1)
10	1	Z2303	AD 53 ROND GRIS CLAIR (2	D RING 53 ROUND L.GREY(2
13	1	Z3077	PG LAT GAUCHE GRIS/CL 95	GREY CARR HD LEFT 95
14	1	Z3078	PG LAT DROITE GRIS/CL 95	GREY CARR HD RIGHT 95
		COQUE / HULL		
20	1	Z6740	ECROU A OEIL D 8 INO (10)	EYE BOLT D8 SS (10)
21	1	Z7045	POINT LEVAGE AVANT (1 JEU)	EYE BOLT SET (BOW LIFT.POINT1)
22	2	Z60443	PONTET DE SANGLE (2)	PLASTIC LOOP (2) F/ STRAP
22B	1	Z2019	SANGLE RESERVOIR	TIE DOWN STRAP F/AIRFLOOR
		<b>BANC -- WOODEN BENCH</b>		
23	2	Z60734	SUPP BANC RENFORCE T/GR.CL (2)	SUPP/GR.FAB.V2 QCK FIT BENCH
24	1	Z60518	BANC QUICK FIT 850 GR.CL 05	QUICK FIT BENCH L850 L GREY
25	2	Z60560	SUPPORT MULTIF.GRIS BANC 05(2)	QUICK FIT BENCH RETAINER GR 05
		TABLEAU -- TRANSOM		
31	1	Z67029	TAB.T3 A COLLER BLANC	TRANSOM T3 W/O BRACKET WHITE
32	1	Z2218	EMBASE V/VITE EQUIPE (10)	SELF BAILER BASE (10
33	1	Z2204	MEMBRANE V/VITE (20)	SELF BAILER DIAPH (P20)
34	1	Z2221	BOUCHON V/VITE EQ(10	SELF BAILER BUNG (P10)
35	1	Z2042	PLAQUE MARTYRE VERNIE 12MM	WOODEN TRANSOM PAD12MM WARNISH
36	1	Z6088	PLAQUE MOTEUR GM 99	MOTOR MOUNTING PLATE S2
		EQUIPMENT STANDARD STANDART EQUIPMENT		
	2	Z6425	AVIRON GRIS D35 L160 (2)	GREY OAR 1,60XD35 (2)
	1	Z2815	CLIP AVIRON GRIS CLAIR(2	OAR CLIP -GREY PLASTIC- (2
	1	Z60977	GONFLEUR BRAVO 9	BELLOWS-BRAVO 7 COMPLETE (1)
	1	Z60811	TUYAU GONFLEUR ANNELE 1M70-08	INFLATABLE HOSE/08 FOOT PUMP
	1	Z6854	RACCORD VALVE ENCAST TUY/GONFL	COUPLING RECESSED VALVE
	1	Z1260	HOUSSE RIB 260 CPT S/LOGO	STORAGE BAG SR 260 W/O LOGO
	1	Z3018	MAN.PROP T1 GENERALITES	OWNERS MAN 1 GENERALTIE
	1	Z7105	MAN.PROP T2 - AX-MAX ED.10	OWN. MAN VOL2 - AX-MAX ED.10

N° 3 4 5 2 2 4 4 S A V

D J A - 1 9 . 1 1 . 0 7

# Z51302C AX 500 - 2008

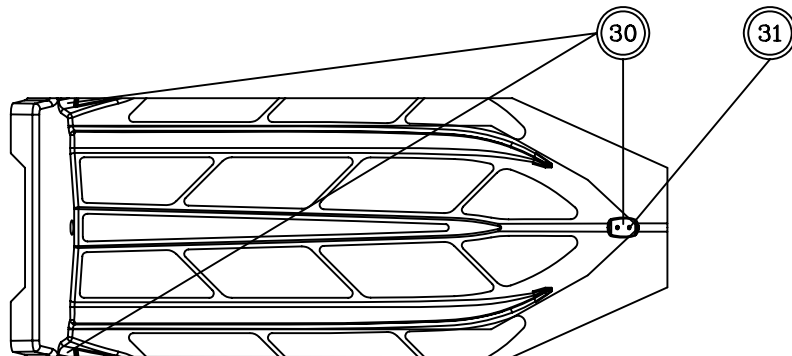
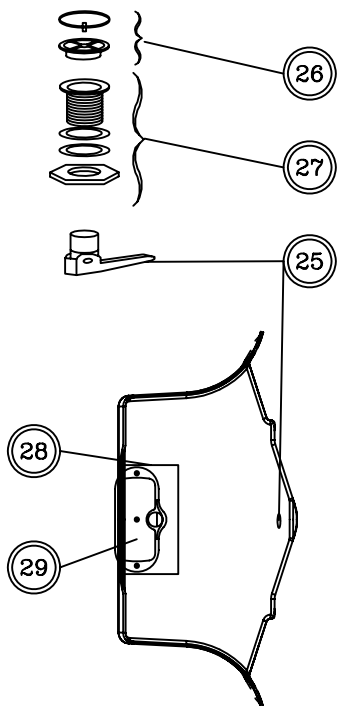
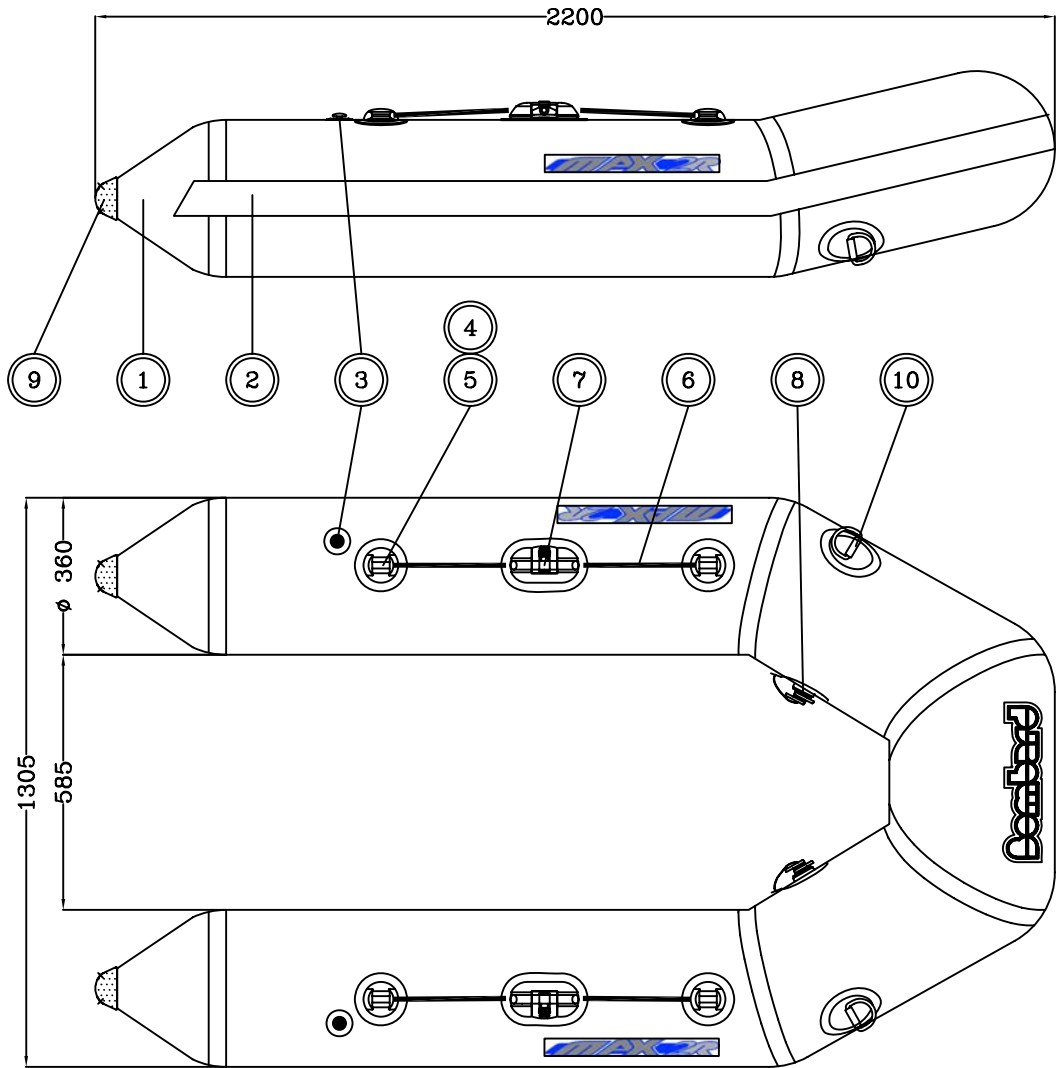


Rep.	Qty	PTN°	Description FR	Description GB
EQUIPMENT FLOTTEUR -- BUOYANCY TUBE EQUIPMENT				
1	M	Z7041	T/REPAR.950 GRIS CLAIR	LIGHT GREY REPAIR FABRIC
2	1	Z60148	DEF.AX BLEU + BLANC	RUB.STRAKE AX BIUE + WH
3	2	Z2816	PLOT FIX.SAC/AVIR.GR.CL (4	PLAST.ATTACH.OAR/BAG L.GR(4)
4	4	Z6428	PAS.SANGL/DRISS.GR/CL.(1)	MOULD.STRAP/ROPE HOLD 1GR
5	4	Z60145	VERROU DRISSE "TE" GR. (4)	RETAINER FOR ROPE "T" GR. (4)
6	M	Z2893	SANGLE GRISE L35MM (10M)	GREY STRAP 35MM (10M)
6A	4	Z6276	PG SURMOULEE GRISE SNG 35 (2)	HANDLE F/SAFETY STRAP GREY (2)
7	2	Z60738	TOLET BLOQUEUR AVIRON GRIS (2)	OAR LOCK JUBILEE CLIP GREY (2)
7	2	Z60073	AXE DN BASC. 01 GR-CL (1)	AXE RECL.OAR 01 GREY (1)
7	2	Z2844	AN.AXE DAME BASCUL.GR(10)	RING F/RECL.OAR GREY PLAST.10
7	2	Z60075	EMBASE 01 DN BASC. GR-CL (1)	SUPPORT RECLINING OAR 01 GREY
7	2	Z60077	COQUILLE. 02 GR-CL DNB. (1)	SWIVEL RECLINING OAR 02 GREY
7	2	Z60078	BOUTON RESSORT DAME NAGE(2)	RETAINER FOR OAR SWIVEL 02 (2)
8	2	Z2846	BOUCHON CLAPET DELRIN(10)	CAP BLACK VALVE (P10)
8	2	Z2847	CORPS CLAPET DELRIN(10)	DELRIN BLACK VALVE (P10)
8	2	Z3292	ECROU EMB DELRIN(10)	DELRIN COLLAR NUT (10)
8	2	Z3293	ROND EMB DELRIN(10)	GASKET INSERT DELRIN BASE
8	2	Z3001	JT NEO.EMBASE CLAPET(25)	GASKET INSERT BASE NEOPRE (25)
8	2	Z3294	EMB F.CARRE DELRIN(10)	DELRN VALV INSRT BASE(10)
9	3	Z2795	CONE MOULE GR.CL (1)	CONE MOULE GR.CL (1)
10	1	Z2303	AD 53 ROND GRIS CLAIR (2	D RING 53 ROUND L.GREY(2
13	1	Z3077	PG LAT GAUCHE GRIS/CL 95	GREY CARR HD LEFT 95
14	1	Z3078	PG LAT DROITE GRIS/CL 95	GREY CARR HD RIGHT 95
COQUE / HULL				
20	1	Z6740	ECROU A OEIL D 8 INO (10)	EYE BOLT D8 SS (10)
21	1	Z7045	POINT LEVAGE AVANT (1 JEU)	EYE BOLT SET (BOW LIFT.POINT1)
22	2	Z60443	PONTET DE SANGLE (2)	PLASTIC LOOP (2) F/ STRAP
22B	1	Z2019	SANGLE RESERVOIR	TIE DOWN STRAP F/AIRFLOOR
<b>BANC -- WOODEN BENCH</b>				
23	2	Z60734	SUPP BANC RENFORCE T/GR.CL (2)	SUPP/GR.FAB.V2 QCK FIT BENCH
24	1	Z60518	BANC QUICK FIT 850 GR.CL 05	QUICK FIT BENCH L850 L GREY
25	2	Z60560	SUPPORT MULTIF.GRIS BANC 05(2)	QUICK FIT BENCH RETAINER GR 05
TABLEAU -- TRANSOM				
31	1	Z67029	TAB.T3 A COLLER BLANC	TRANSOM T3 W/O BRACKET WHITE
32	1	Z2218	EMBASE V/VITE EQUIPE (10)	SELF BAILER BASE (10)
33	1	Z2204	MEMBRANE V/VITE (20)	SELF BAILER DIAPH (P20)
34	1	Z2221	BOUCHON V/VITE EQ(10)	SELF BAILER BUNG (P10)
35	1	Z2042	PLAQUE MARTYRE VERNIE 12MM	WOODEN TRANSOM PAD12MM WARNISH
36	1	Z6088	PLAQUE MOTEUR GM 99	MOTOR MOUNTING PLATE S2
EQUIPMENT STANDARD STANDART EQUIPMENT				
2		Z6425	AVIRON GRIS D35 L160 (2)	GREY OAR 1,60XD35 (2)
1		Z2815	CLIP AVIRON GRIS CLAIR(2	OAR CLIP -GREY PLASTIC- (2
1		Z60977	GONFLEUR BRAVO 9	BELLOWS-BRAVO 7 COMPLETE (1)
1		Z60811	TUYAU GONFLEUR ANNELE 1M70-08	INFLATABLE HOSE/08 FOOT PUMP
1		Z6854	RACCORD VALVE ENCAST TUY/GONFL	COUPLING RECESSED VALVE
1		Z1260	HOUSSE RIB 310 CPT S/LOGO	STRORAGE BAG SR 310 W/O LOGO
1		Z3018	MAN.PROP T1 GENERALITES	OWNERS MAN 1 GENERALTIE
1		Z7105	MAN.PROP T2 - AX-MAX ED.10	OWN. MAN VOL2 - AX-MAX ED.10

N° 3452318SAV

DJA - 216.11.07

# Z51304 Max 2R - 2008



## Z51304 MAX 2R - 2008

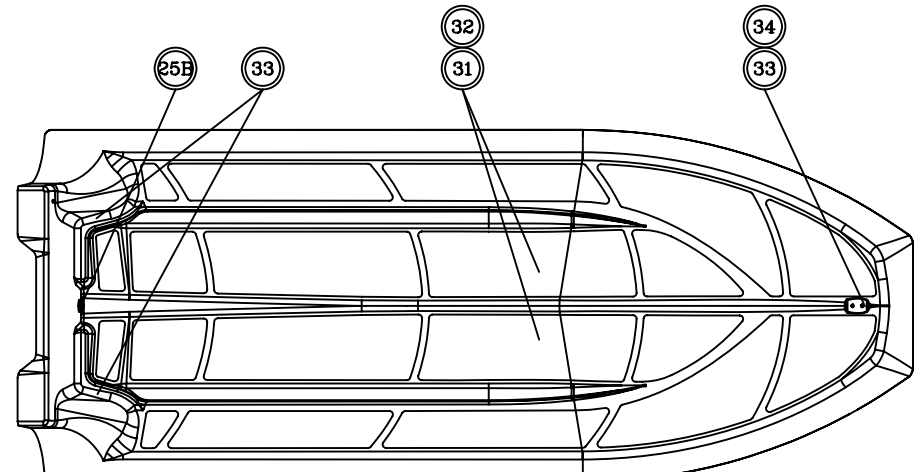
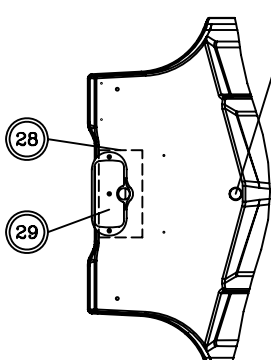
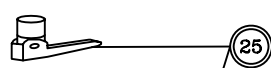
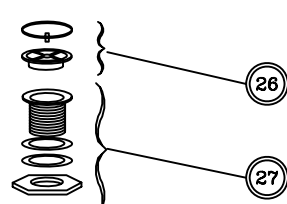
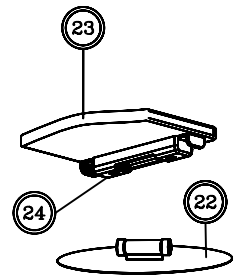
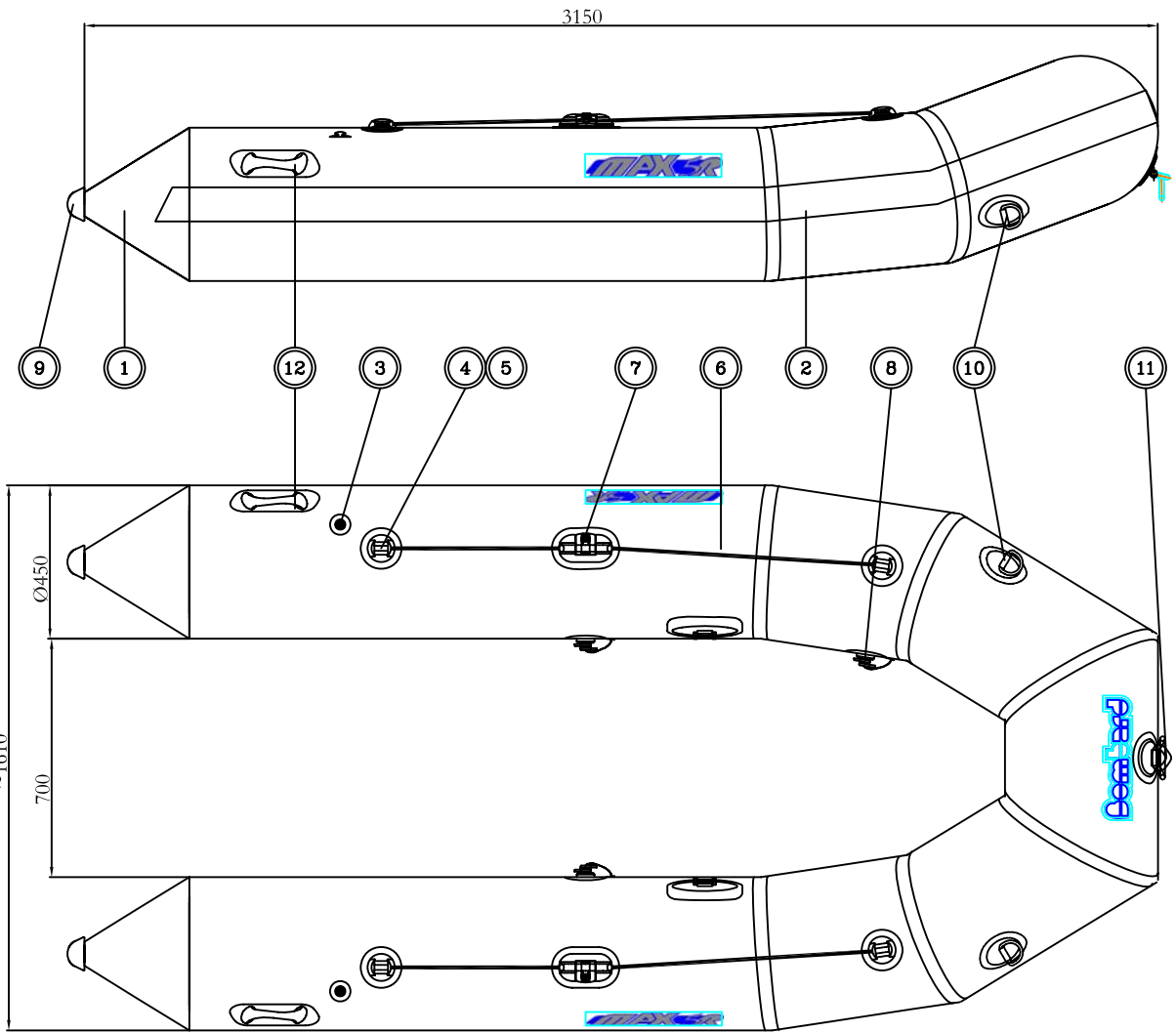
dja le 04.03.2008

Rep.	Qty	PTN°	Description FR	Description GB
			EQUIPMENT FLOTTEUR -- BUOYANCY TUBE EQUIPMENT	
1	M	Z7041	T/REPAR.950 GRIS CLAIR	LIGHT GREY REPAIR FABRIC
2	1	Z60627	DEF GR.M/BLC/NO/BLC/GR.M 5M	RUB STRAKE M.GR/W/BK/W/M.GR 5M
3	2	Z2816	PLOT FIX.SAC/AVIR.GR.CL (4	PLAST.ATTACH.OAR/BAG L.GR(4)
4	4	Z6428	PAS.SANGL/DRISS.GR/CL.(1)	MOULD.STRAP/ROPE HOLD 1GR
5	4	Z60145	VERROU DRISSE "TE" GR. (4)	RETAINER FOR ROPE "T" GR. (4)
6	2	Z2892	DRISSE PE DI2 GRISE 25M	PE ROPE GREY 25M
7	2	Z60738	TOLET BLOQUEUR AVIRON GRIS (2)	OAR LOCK JUBILEE CLIP GREY (2)
7	2	Z60073	AXE DN BASC. 01 GR-CL (1)	AXE RECL.OAR 01 GREY (1)
7	2	Z2844	AN.AXE DAME BASCUL.GR(10)	RING F/RECL.OAR GREY PLAST.10
7	2	Z60075	EMBASE 01 DN BASC. GR-CL (1)	SUPPORT RECLINING OAR 01 GREY
7	2	Z60077	COQUILLE. 02 GR-CL DNB. (1)	SWIVEL RECLINING OAR 02 GREY
7	2	Z60078	BOUTON RESSORT DAME NAGE(2)	RETAINER FOR OAR SWIVEL 02 (2)
8	2	Z2846	BOUCHON CLAPET DELRIN(10)	CAP BLACK VALVE (P10)
8	2	Z2847	CORPS CLAPET DELRIN(10)	DELRIN BLACK VALVE (P10)
8	2	Z3292	ECROU EMB DELRIN(10)	DELRIN COLLAR NUT (10)
8	2	Z3293	ROND EMB DELRIN(10)	GASKET INSERT DELRIN BASE
8	2	Z3001	JT NEO.EMBASE CLAPET(25)	GASKET INSERT BASE NEOPRE (25)
8	2	Z3294	EMB F.CARRE DELRIN(10)	DELRN VALV INSRT BASE(10)
9	3	Z2795	CONE MOULE GR.CL (1)	CONE MOULE GR.CL (1)
10	1	Z2303	AD 53 ROND GRIS CLAIR (2	D RING 53 ROUND L.GREY(2)
			TABLEAU / TRANSOM	
25	1	Z1944	BOUCHON VIDE-VITE S-R YL1R-DL	RIB SELF BAILER PLUG
25B	1	Z2154	NABLE A VIS + MANCHON (1)KIT	DRAIN PLUG BLK SCREWED SET(1)
26	1	Z1946	CLAPET VIDE-VITE S-R	RIB SELF BAILER DIAPHRAGM
27	1	Z1947	PASSE-COQUE V-VITE S-R(1)	RIB SELF BAILER THRU-HULL
28	1	Z67017	PLAQUE BOIS BLC 275/385	TRANSOM PAD WH 275/385
29	1	Z2220	PLAQUE SUP MOTEUR <15CV	MOTOR SUP.PLATE SMALLSIZE
			COQUE / HULL	
30	3	Z6740	ECROU A OEIL D 8 INO (10)	EYE BOLT D8 SS (10)
31	1	Z1488	CADENE ETANCHE NO.8X100 (1)	EYE BOLT SET (BOW LIFT.POINT1)
			EQUIPMENT STANDARD STANDART EQUIPMENT	
	2	Z6425	AVIRON GRIS 1.60XD35 (2)	GREY OAR 1,60XD35 (2)
	2	Z2815	CLIP AVIRON GRIS CLAIR(2)	OAR CLIP -GREY PLASTIC- (2)
	1	Z60979	GONFLEUR BRAVO 9	BELLOWS-BRAVO 9 COMPLETE (1)
		Z60811	TUYAU GONFLEUR ANNELE 1M70-08	INFLATABLE HOSE/08 FOOT PUMP
	1	Z6854	RACCORD VALVE ENCAST TUY/GONFL	COUPLING RECESSED VALVE
	1	Z60037	SAC BOMBARD ANNEXE GM 2002	CARRY BAG BBD TENDER "LARGE"
	1	Z6730	V/REP.BATEAUX STRONGAN	STRONGAN BOATS REPAIR KIT
	1	Z60798	PALETTE TISSU STG P/REPAR.06	PALETTE TISSU STG P/REPAR.06
	1	Z60186	AUTO-COLLANT SECURITE	STICKER -SAFETY-
	1	Z3018	MAN.PROP T1 GENERALITES	OWNERS MAN 1 GENERALTIE
	1	Z7105	MAN.PROP T2 - AX-MAX ED.10	OWN. MAN VOL2 - AX-MAX ED.10

N° 3452295ASAV

DJA - 19.11.07

# Z51305 Max 5 R - 2008



## Z51305 MAX 5R - 2008

dja le 04.03.2008

Rep.	Qty	PTN°	Description FR	Description GB
EQUIPMENT FLOTTEUR -- BUOYANCY TUBE EQUIPMENT				
1	M	Z7041	T/REPAR.950 GRIS CLAIR	LIGHT GREY REPAIR FABRIC
2	1	Z67030	DEF L100 GR.M/BLC/NR/BLC/GR 8M	RUB STRAKE L100 GR/W/BK/W/M.GR 8M
3	2	Z2816	PLOT FIX.SAC/AVIR.GR.CL (4	PLAST.ATTACH.OAR/BAG L.GR(4)
4	4	Z6428	PAS.SANGL/DRISS.GR/CL.(1)	MOULD.STRAP/ROPE HOLD 1GR
5	4	Z60145	VERROU DRISSE "TE" GR. (4)	RETAINER FOR ROPE "T" GR. (4)
6	2	Z2892	DRISSE PE DI2 GRISE 25M	PE ROPE GREY 25M
7	2	Z60738	TOLET BLOQUEUR AVIRON GRIS (2)	OAR LOCK JUBILEE CLIP GREY (2)
7	2	Z60073	AXE DN BASC. 01 GR-CL (1)	AXE RECL.OAR 01 GREY (1)
7	2	Z2844	AN.AXE DAME BASCUL.GR(10)	RING F/RECL.OAR GREY PLAST.10
7	2	Z60075	EMBASE 01 DN BASC. GR-CL (1)	SUPPORT RECLINING OAR 01 GREY
7	2	Z60077	COQUILLE. 02 GR-CL DNB. (1)	SWIVEL RECLINING OAR 02 GREY
7	2	Z60078	BOUTON RESSORT DAME NAGE(2)	RETAINER FOR OAR SWIVEL 02 (2)
8	2	Z2846	BOUCHON CLAPET DELRIN(10)	CAP BLACK VALVE (P10)
8	2	Z2847	CORPS CLAPET DELRIN(10)	DELRIN BLACK VALVE (P10)
8	2	Z3292	ECROU EMB DELRIN(10)	DELRIN COLLAR NUT (10)
8	2	Z3293	ROND EMB DELRIN(10)	GASKET INSERT DELRIN BASE
8	2	Z3001	JT NEO.EMBASE CLAPET(25)	GASKET INSERT BASE NEOPRE (25)
8	2	Z3294	EMB F.CARRE DELRIN(10)	DELRN VALV INSRT BASE(10)
9	3	Z2795	CONE MOULE GR.CL (1)	CONE MOULE GR.CL (1)
10	1	Z2303	AD 53 ROND GRIS CLAIR (2	D RING 53 ROUND L.GREY(2)
11	1	Z60093	PG AV TRG PLAST T/ GR.CL	BOW HANDLE TRG - LIGHT GR.FAB
12	1	Z3077	PG LAT GAUCHE GRIS/CL 95	GREY CARR HD LEFT 95
12	1	Z3078	PG LAT DROITE GRIS/CL 95	GREY CARR HD RIGHT 95
BANC -- WOODEN BENCH				
22	1	Z60518	BANC QUICK FIT 850 GR.CL 05	QUICK FIT BENCH L850 L GREY
22B	2	Z60560	SUPPORT MULTIF.GRIS BANC 05(2)	QUICK FIT BENCH RETAINER GR 05
23	3	Z60734	SUPP BANC RENFORCE T/GR.CL (2)	SUPP/GR.FAB.V2 QCK FIT BENCH
TABLEAU / TRANSOM				
25	1	Z1944	BOUCHON VIDE-VITE S-R YL1R-DL	RIB SELF BAILER PLUG
25B	1	Z2154	NABLE A VIS + MANCHON (1)KIT	DRAIN PLUG BLK SCREWED SET(1)
26	1	Z1946	CLAPET VIDE-VITE S-R	RIB SELF BAILER DIAPHRAGM
27	1	Z1947	PASSE-COQUE V-VITE S-R(1)	RIB SELF BAILER THRU-HULL
28	1	Z67017	PLAQUE BOIS BLC 275/385	TRANSOM PAD WH 275/385
29	1	Z2220	PLAQUE SUP MOTEUR <15CV	MOTOR SUP.PLATE SMALLSIZE
COQUE / HULL				
31	2	Z60443	PONTET DE SANGLE (2)	PLASTIC LOOP (2) F/ STRAP
32	1	Z2903	SANGLE RESERVOIR+PONTET KIT	FUEL TANK STRAP + LOOP (SET)
33	3	Z6740	ECROU A OEIL D 8 INO (10)	EYE BOLT D8 SS (10)
34	1	Z1488	CADENE ETANCHE NO.8X100 (1)	U-TYPE ATTACHMENT 8X100 1
EQUIPMENT STANDARD STANDART EQUIPMENT				
2		Z6425	AVIRON GRIS 1.60XD35 (2)	GREY OAR 1,60XD35 (2)
2		Z2815	CLIP AVIRON GRIS CLAIR(2)	OAR CLIP -GREY PLASTIC- (2)
1		Z60979	GONFLEUR BRAVO 9	BELLOWS-BRAVO 9 COMPLETE (1)
		Z60811	TUYAU GONFLEUR ANNELE 1M70-08	INFLATABLE HOSE/08 FOOT PUMP
1		Z6854	RACCORD VALVE ENCAST TUY/GONFL	COUPLING RECESSED VALVE
1		Z60037	SAC BOMBARD ANNEXE GM 2002	CARRY BAG BBD TENDER "LARGE"
1		Z6730	V/REP.BATEAUX STRONGAN	STRONGAN BOATS REPAIR KIT
1		Z60798	PALETTE TISSU STG P/REPAR.06	PALETTE TISSU STG P/REPAR.06
1		Z60186	AUTO-COLLANT SECURITE	STICKER -SAFETY-
1		Z3018	MAN.PROP T1 GENERALITES	OWNERS MAN 1 GENERALTIE
1		Z7105	MAN.PROP T2 - AX-MAX ED.10	OWN. MAN VOL2 - AX-MAX ED.10