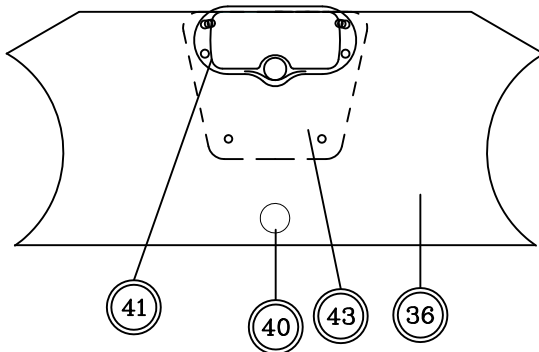
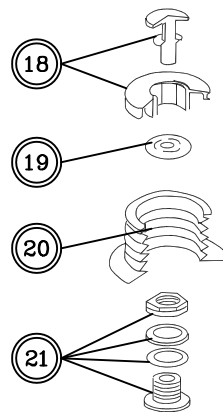
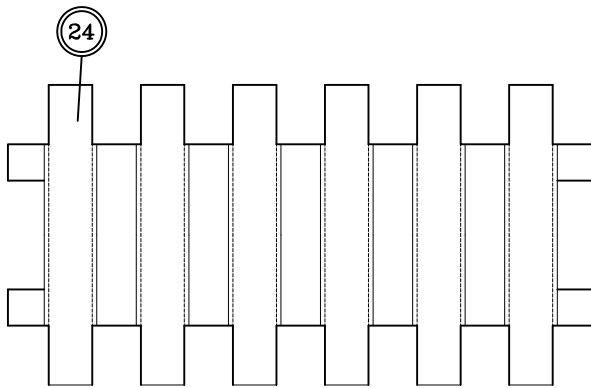
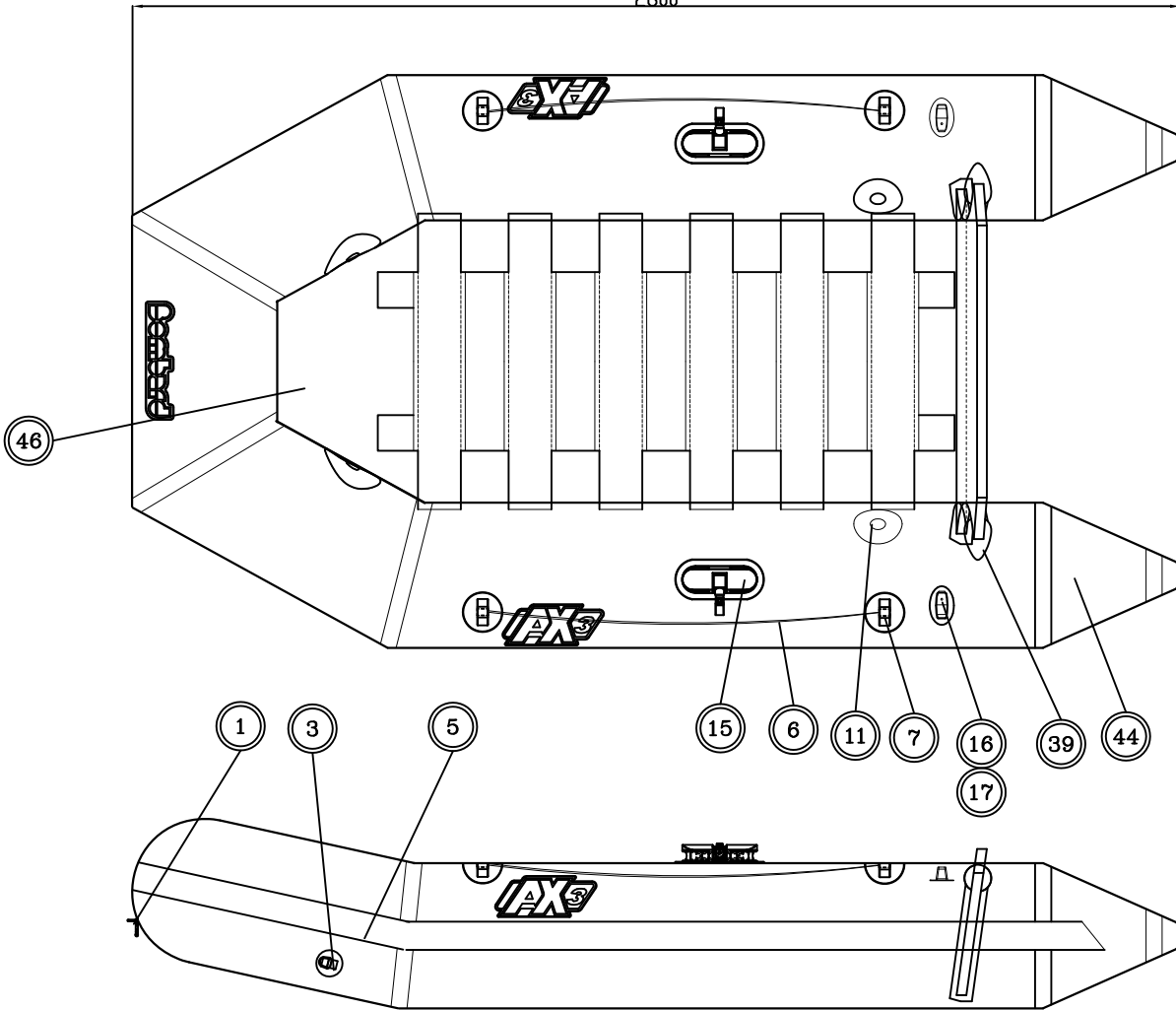


2600



AX 3
SK-ZAX1006s-N-ACC
(ZODIAC Item Code:Z51006)
PCR 29.04.09

