



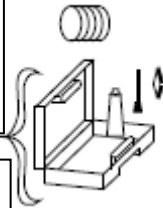
Bureau d'Etudes  
St Jean D'Illac

**YL 470 DL 2006**  
PIECES DETACHEES  
SPARE PART

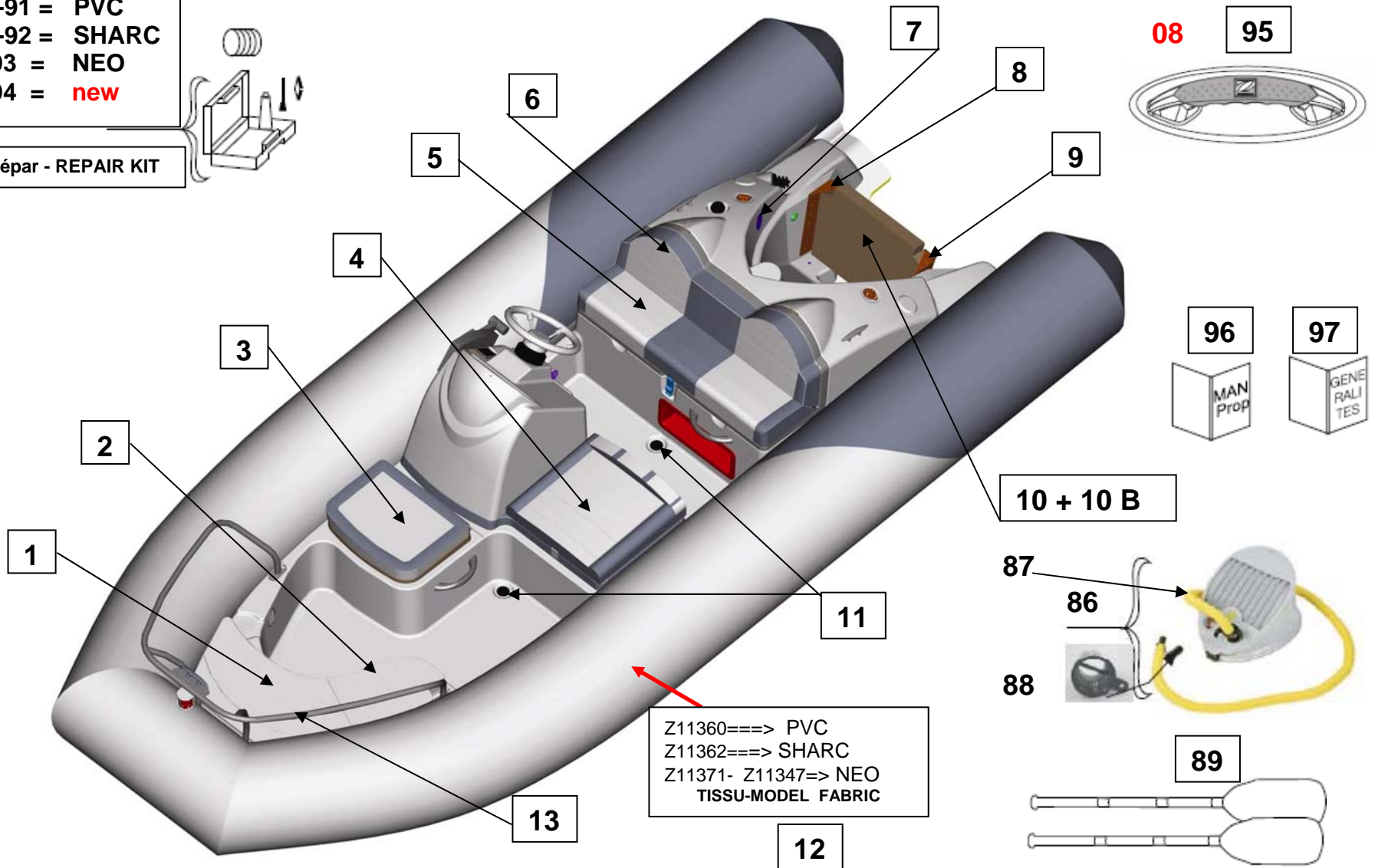
Etude N° : 604485  
Date : 25/02/05  
Dess. Par : LCL  
Vérifié par : LSO

Indice :  
Date de révision :

90-91 = PVC  
90-92 = SHARC  
93 = NEO  
94 = **new**



TROUSSE Répar - REPAIR KIT



Page		Rep.	Code	Qte/Bat	Description FR	Z16063
<b>YL 470 DL 2006</b>						
<b>EQUIPEMENT FLOTTEURS/TUBE EQUIPMENT</b>						
1	12				<b>MODELE</b> Z11360 KIT YL 470 DL	
1	12	Z16028			<b>FLT. YL 470 DL PVC</b>	<b>voir--see Sharc model</b>
1	PVC	Z7197	1		T/BLANC AX/YL	WHITE REPAIR FABRIC
1	PVC	Z2367	1		T/CRPS 1100DTX GRIS CLAIR	LIGHT GREY FABRIC 1100DTX
1		Z2110/Z2120			PG LAT TRG GRISE supprimé- delated	<b>voir- see Z60992</b>
1		Z67094			DEF165 GC/GC/BC/GZ/BC/GC 14,2M	RUBSTRAKE165 L.GR.WH.Z.GR.14M2
1	90	Z6730			V/REP.BATEAUX	BOATS REPAIR KIT
1	91	Z60798			PALETTE TISSU STG P/REPAR.06	COLOURED FAB.PVC 06 F/REPAIR
1		<b>MODELE</b>	Z11362		YL 470 DELUXE SHARC	
1	SHARC	Z16044			<b>\$FLT.YL 470 DL SHARC BLC/GR.CL</b>	
		Z16063			<b>\$FLT.YL 470 DL SHARC BLC/GR.CL</b>	TUBE YL 470 DL SHARC
contacter			ZODIAC SERVICE	<b>MUST BE CONFIRM BY THE FACTORY</b>		
1	SHARC	Z60855	ML		T/SHARC BLC 1200 MAT (ML)	WHITE SHARC FAB. 1200 PM
1	SHARC	Z60856	ML		T/SHARC GR.CL 1200 MAT (ML)	LIGHT GREY SHARC FAB. 1200 PM
1	90	Z6730	1		V/REP.BATEAUX	BOATS REPAIR KIT
1	92	Z60859	1		PALETTE TISSU SHARC P/REP.	COLOURED SHARC FABRIC F/REPAIR
		Z60660	PVC		ATTACHE COQUE T/GR-CL 2	FIX.PATCH RIB TUBE/L.GR (2)
1		<b>MODELE</b>	Z11361		YL 420 DL NEO	
1	NEO	Z16029			<b>FLT. YL470 DL NEO</b>	TUBE YL 470 DL NEO
1	NEO	Z67130			T/NEO 1100 BLANC OSLO (M)	FABRIC OSLO WHITE NEO 1100 P/M
1	NEO	Z67131			T/NEO 1100 GRIS MENPHIS (M)	FABRIC MENPHIS GREY NEO 1100(M)
1	93	Z60860			V/REP NEO GR.BLC 06	NEOPRENE GR.WH REPAIR SET 06
1	94	Z65216	<b>NEW</b>		PATCH -N GO KIT RECHANGE (5)	PATCH -N GO KIT RECHANGE (5)
			<b>NEO</b>		ATTACHE COQUE NEO GRIS PM (2)	sur demande-on request ZODIAC SERVIC
<b>EQUIPMENT FLOTTEUR -- BUOYANCY TUBE EQUIPMENT</b>						
		Z2110/Z2120			PG LAT GRISE supprimé- discontinued	<b>voir- see Z60992</b>
1	95	Z60992	6		PG LAT SOFT ZODIAC GR.CL	CARRY HAND SOFT ZODIAC L-GR
		Z67094			DEF165 GC/GC/BC/GZ/BC/GC 14,2M	RUBSTRAKE165 L.GR.WH.Z.GR.14M2
		Z60216	3		BOUCHON VIS VALVE ENC.GR(5)	CAP THREAD RECES.VALVE GR(5)
		Z60217	3		CORPS VALVE ENCASTREE 2002 (5)	BODY/SCREW.RECES.VALVE GR(5)
		Z6851	3		JT BOUCHON V.E. (25)	GASKET/CAP RECESSED VALVE (25)
		Z6852	3		JT ECROU V.E.(10)	GASKET/SCREW RECES.VALVE (10)
		Z60055	3		SUPPORT CLAP. VALVE ENC.02(10)	RECESSED VALVE INSERT 2002(10)
		Z60020	1		LOGO "Z" 02 PM BLANC-GRIS (1)	LOGO "Z" 02 SMALL WHITE GREY 1
		Z60021	2		LOGO "Z" 02 GM BLANC-GRIS (1)	LOGO "Z" 02 LARGE WHITE GREY 1
<b>SELLERIE --SADDLERY</b>						
1	1	Z60761	1		COUSS. AVANT YL 470	CUSHION YL 470 BOW PART
1	2	Z60762	1		COUSS. AVANT BABORD YL 470	CUSHION PORT SIDE YL 470
1	3	Z60765	1		COUSS. DOSSIER CONSOLE YL470	CUSHION BACKREST CONSOL YL470
1	4	Z60766	1		COUSS.RESERVOIR YL470	CUSHION FUEL TANK YL 470
1	5	Z60763	1		COUSS.(ASSISE) YL 470	CUSHION PILOT SEAT YL 470
1	6	Z60764	1		COUSS.(DOSSIER) YL 470	CUSHION BACKREST YL 470
<b>EQUIPEMENT COQUE -- HULL EQUIPMENT</b>						
1	7	Z60374	1		PASSE-COQUE 90° 19MM+ECROUS	90DEG THRU HULL FITTING 19MM
1	8	Z60640	1		EQUERRE TABL.TRIBORD MDL2C INO	BRACKET FITTING ST'BRD M2C SS
1	9	Z60639	1		EQUERRE TABL.BABORD MDL2C INOX	BRACKET FIT.-PORT- MEDL2C SS
1_2	10	Z60579	1		TABLEAU ARR MED2C PE	BRACKET MEDL2C/530 DL PE
1_2	10 B	Z60641	2		EQUERRE FIX.BAS TABL MDL2C INO	EQUERRE FIX.BAS TABL MDL2C INO
1_3	11	Z2729	2		BOUCHON SYST.EVAC PONT YLDL	CAP EVACUATION SYST YLDL
	86	Z60222	2		BONDE DE VIDANGE MED 3	DRAINAGE HOLE MED3(see N00119)
1	13	Z60770	1		BALCON YL 470 DL INOX	BOW RAIL YL 470 DL SS
2	14	Z60771	1		CAPOT BAILLE YL470_530_MD2C	BOW LOCKER LID YL470_530_MD2C
2	15	Z60772	1		CAPOT COFFRE DEV.CONSOL.YL470	BOW LOCK.LID FRONT CONS.YL470
2	16	Z60768	1		CONSOLE YL 470 DL PY	CONSOLE YL 470 DL PY
2_3_5	17	Z60218	6		GRILLE DE VENTILLATION D 70MM	GRILLE DE VENTILATION D 70MM
2	18	Z60769	1		ASSISE ARRIERE YL 470 DL	REAR SEAT LOCKER LID 470DL PY
2	19	Z60767	1		SUPPORT CONSOLE YL 470 DL	CONSOLE SUPPORT YL470 DL 04
2	20	Z1222	1		PORTE COFFRE AV 340/380DL	BOW LOCKER DOOR 340/380DL
3	21	Z1967	3		CADENE ARTICULEE DIAM.8	LIFTING POINT YL600 (2)
3	22	Z60521	2		CONTREPLAQUE CADENE AR.D8 INOX	BACKPLATE D RING 8 MM REAR
3	23	Z60200	3		TAQUET PLAT L153 V20MM INOX	CLAM CLEAT L153 SS
3	24	Z60192	1		FEU BLANC PLIABLE + EMBASE	LIGHT+MAST+BASE 03 (foldable)
3	25	Z60194	1		SOUFFLET PASSE CABLE D74	SHIFT CABLE BELLOW DIAM.75
3	26	Z60778	2		ECROU A OEIL M12x56 INOX(1)	EYE BOLT D 12x56 SS (1)
3	27	Z2154	1		NABLE A VIS NO-MANCHON (1)KIT	DRAIN PLUG BLK SCREWED SET(1)
3	28	Z1420	1		EVENT NYLON RIB	FUEL TANK VENT RIB / NYL

YL 470 DL 2006					
Page	Rep.	Code	Qte/Bat	Description FR	Z16063
3	29	Z1022	1	FEU DE NAVIGATION RGE/VERT	BOW LIGHT 340/380DL/650 OPEN
3	30	Z60204	3	COIFFE+RONDELLE REF.06 38	SCREW WASHER AND CAP (10)
3	31	Z6871	2	CHARNIERE COFFRE CAPOT (2)	HINGE FOR LOCKER LID MED2 (2)
3	32	Z60775	2	LOQUET AFLEURANT D50 (1)	LATCH LOCKER D50 (1)
3	34	Z1485		PROFILE SELLERIE LG350 ALU	ALUM.RAIL F/CUSHION L350
3	35	Z60774	2	CHARNIERE 48X40X2 INOX(2)	HINGE 48X40X2 SS (2)
3 4	36	Z60228	2	PG CONSOLE BLANCHE	WHITE PLASTIC HANDLE
3	37	Z60778	2	VIS OEIL 8X25 INOX (2)	EYE BOLT SCREW 8X25 SS (2)
3	38	Z60520	1	CONTREPLAQUE CADENE AV.D8 INOX	BACKPLATE D RING 8 MM
3	39	Z60569	2	RAIL FIXATION SELLERIE L225MM	ALU RAIL F/CUSHION L225MM
4	40	Z3914	2	CHARNIERE SIEGE MED1(2)	HINGE/PILOT SEAT MED1 (2)
4	41	Z60206	2	SUPP.CHARNIERE ASSISE 380>03	HINGE SUPPORT AFT SEAT 380>03
4	42	Z60908	1	FILTRE A ESSENCE 1/4 <150 HP	FUEL FILTER 1/4 <150 HP
4	42				
4	43	Z60546	2	RACCORD FILETAG 1/4 TUYAU 3/8	THREAD PIPE 1/4 HOSE 3/8
4	44	Z60529	2	RESSORT A GAZ (ROTULE) (1)	GAS STRUT/SWIVEL ASSY (1)
4 5	45	Z60205	3	TRAPPE DE VISITE D150 BLANC	BLANKING CAP 150mm DIA
4	46	Z60056	1	FERMOIR COFFRE NOIR (1)	LOCKER LATCH BLACK (1)
4	47	Z60528	1	PLOT LOQUET COFFRE INOX	CATCH AFT LOCKER LATCH
4	48	Z1287	1	SUPPORT EXTINGCTEUR	EXTINGUISHER BOX
4	49	Z2320	1	POMPE DE CALE S500	BILGE PUMP DL 2005
4	50	Z60530	2	EQUERRE -FIX.RESS.A GAZ (1)	CORNER PLATE/GAS STRUT (1)
4	52	Z60531	1	FILET DE RETENUE/FEU NAV.DL04	NET RETAINER/LIGHT MAST 04 DL
4	53	Z60195	1	PASSE CLOISON 340/380DL 03	THRU BULKHEAD 340/380DL 03
4	54	Z2543	1	FEU DE COURTOISIE DELUXE	COURTESY LIGHT DE LUXE RIB
4	55	Z60196	1	FAISCEAU ELEC.AR 340/380/420DL	WIRING HARNESS AFT YL340>470DL
4	56	Z60330	1	COUPE BATTERIE	CIRCUIT BREAKER
4	57	Z60334	2	BOUCHON PLASTIQUE D35,5	PLASTIC CAP D35,5
4	58	Z3660	1	BAC BATTERIE 480X220X250 EXT	BATTERY BOX 480X220X250 EXT
5	59	Z61062	1	BOITIER T71 FC	STEERING BOX T71 FC
5	60	Z61067	1	CABLE M66 11 PIEDS	CABLE M66 11 FEET
5	61	Z60212	1	MANCHE PASSE CABLE CONIQUE NO	RIGGING BOOT BLK CONE-SHAPED
5	62	Z2426	1	BOUCHON REMPLISS.ESSENCE	GAS FILLER CAP
5	63	Z1484	1	TRAPPE DE VISITE D130 BLC	INSPECTION PLATE D130 WHI
5	64	Z60199	1	TROP PLEIN ESSENCE COUDE	GAS OVER FLOW EXHAUST
5	65	Z60776	1	RESERVOIR PE YL 470 DL	FUEL TANK PE YL 470 DL
5	65 B	Z60594	1	JAUGE ESS. YL 470 DL	FUEL SENDER YL 470 DL
5	66	Z60443	4	PONTET DE SANGLE (2)	PLASTIC LOOP (2) F/ STRAP
5	67	Z60197	1	FAISCEAU ELEC.AV.YL340>470 DL	WIRING HARNESS BOW YL340>470DL
5	68	Z60198	1	VOLANT YL DELUXE > 03	<del>supprimé - discontinued</del>
	68	Z60948	2009	VOLANT 3 BRANCHES BC TOPDRIVER	STEERING WHEEL WH.TOPDRIVER
5	69	Z2582	1	ENJOLIVEUR + SUPPORT X34	SUPPORT X34F/STREERING WHEEL
5	70	Z60665	1	PLATINE 7 INTERRUPTEURS NOIR	BACK PLATE 7 SWITCHES BLK
5	71	Z9400	1	INTERRUPTEUR FEU NAVIGATION	SWITCH F/NAV LIGHT
5	72	Z9401	1	INTERRUPTEUR FEU INTERIEUR	SWITCH. INTERIOR LIGHT
5	73	Z9402	1	INTERRUPTEUR POMPE DE CALE	SWITCH. BILGE PUMP
5	75	Z60226	1	BOITIER INTERRUPTEUR EXTREMITÉ	VME MOUNTING PANEL END
5	76	Z60227	2	BOITIER INTERRUPTEUR MILIEU	VMM MOUNTING PANEL MIDDLE
5	77	Z9407	7	BOUCHON BOITIER (2) NOIR	CAP F/ SWITCH BOX BLK(2)
5	79	Z60252	1	PRISE ALLUME CIGARE CONSOLE DL	CIGAR LIGHTER SOCKET RIB CONS.
5	80	Z60526	1	RALLONGE ALLUME GIGARE L 500	WIRING HARNESS L500/CIGAR LIGH
5	81	Z1279	1	PORTE CONSOLE GAMME DLUXE	DOOR F/CONSOLE DELUXE RIB
6	82	Z60440	1	STICKER WARNING RIB F-GB	STICKER WARNING RIB F-GB (6)
6	83	Z60441	1	STICKER WARNING RIB IT-ES-D	STICKER WARNING RIB IT-ES-D(6)
6	84	Z60186	1	AUTO-COLLANT SECURITE	STICKER -SAFETY-
	non rep.	Z60337	1	LOGO DOME VOLANT YL DELUXE D37	LOGO YL 03 FOR STEERING WHEEL
	non rep.	Z60338	1	LOGO DOME DELUXE 03	LOGO YACHTLINE AFT ON GRP 03
	non rep.	Z60203	1	MOUSSE FLOTTEUR/COQUE KIT	BUOYANCY/HULL WHITE FOAM SET
3	85	Z60510		PROTECTION SORTIE DE CABLE GM	PROTECTION HOSE F/CABLE LM
				<b>EQUIPEMENTS STANDARD EQUIPMENT</b>	
1	86	Z60978	1	GONFLEUR BRAVO 8	BELLOWS-BRAVO 8 COMPLETE (1)
1	87	Z60811	1	TUYAU GONFLEUR ANNELE 1M70-08	INFLATABLE HOSE/08 FOOT PUMP
1	88	Z67068	1	RACCORD CL16 STANDARD	COUPLING CL16 STANDARD
1	89	Z2969	1	PAGAIE NOIRE TEL.1M20 (2)	TELESCOPIC PADDLE BLK 1M20 (2)
1	96	Z3018	1	MAN.PROP T1 GENERALITES	OWNERS MAN 1 GENERALITIES
1	97	Z60868	1	MAN.PROP. YL 470 DL ED1	OWNER'S MANUAL YL 470 DL ED1

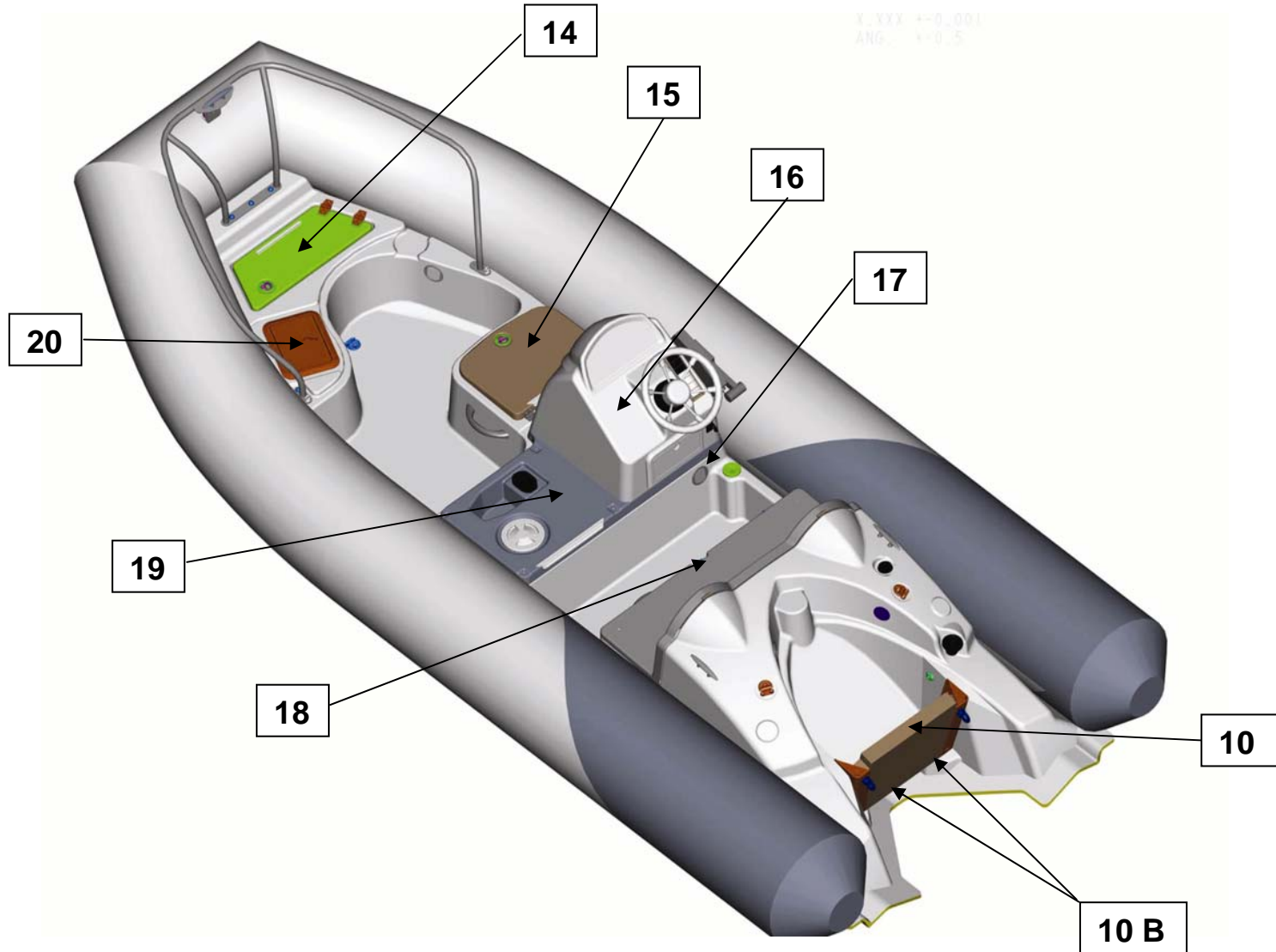


Bureau d'Etudes  
St Jean D'Illac

**YL 470 DL 2006**  
PIECES DETACHEES  
SPARE PART

Etude N° : 604485  
Date : 25/02/05  
Dess. Par : LCL  
Vérifié par : LSO

Indice :  
Date de révision :



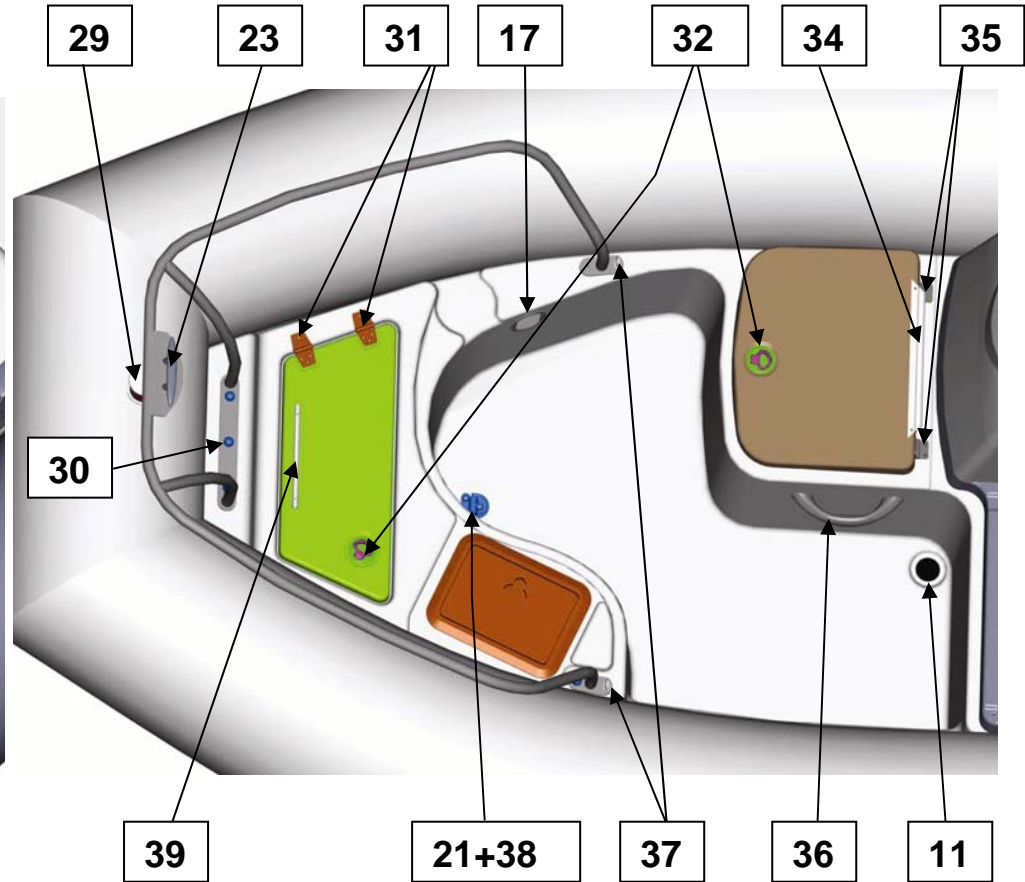
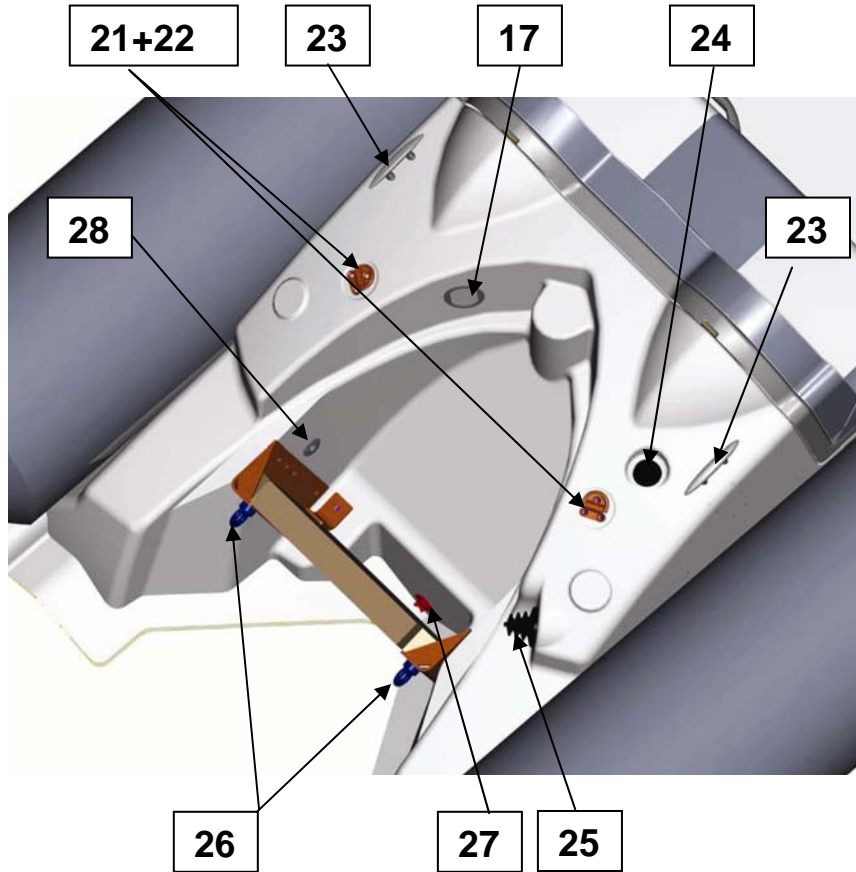


Bureau d'Etudes  
St Jean D'Illac

**YL 470 DL 2006**  
PIECES DETACHEES  
SPARE PART

Etude N° : 604485  
Date : 25/02/05  
Dess. Par : LCL  
Vérifié par : LSO

Indice :  
Date de révision :



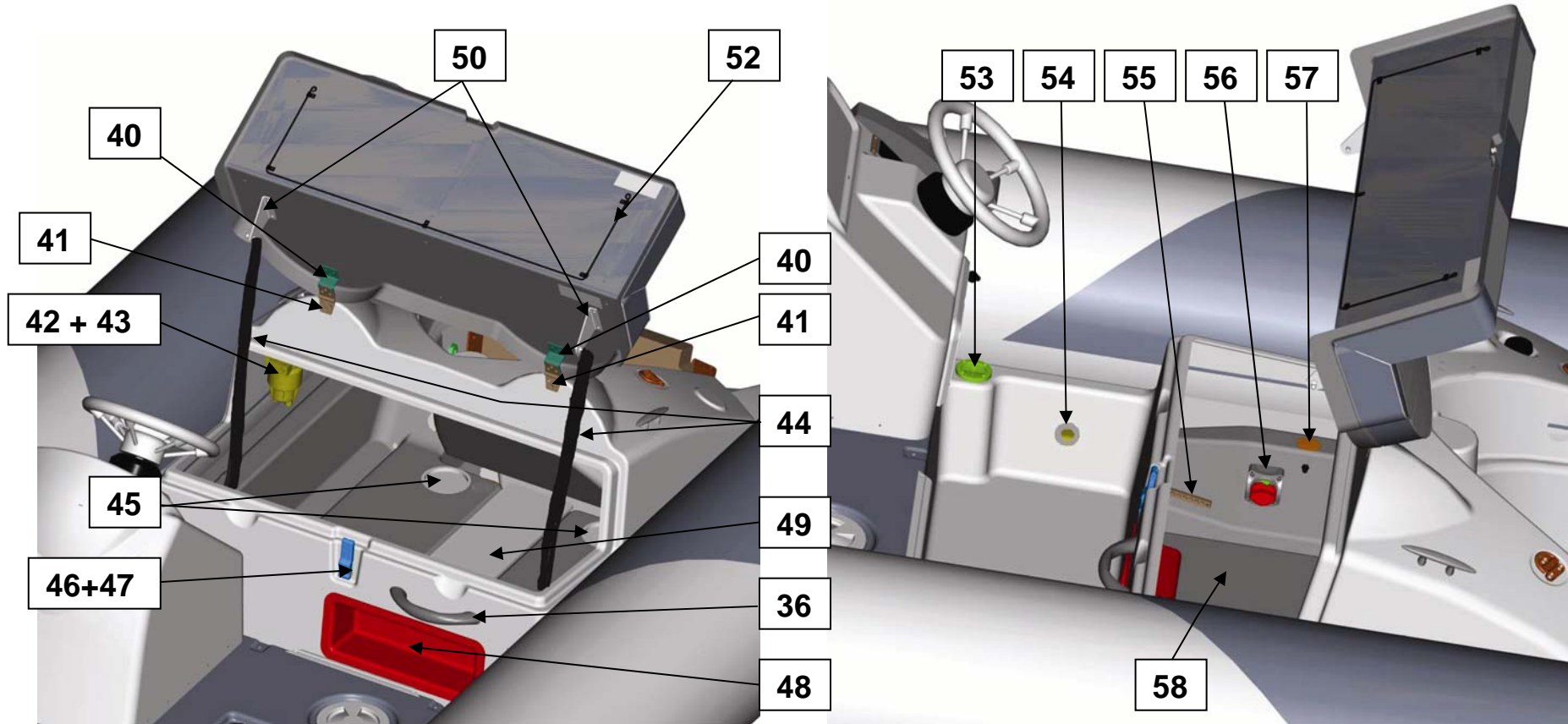


Bureau d'Etudes  
St Jean D'Illac

**YL 470 DL 2006**  
PIECES DETACHEES  
SPARE PART

Etude N° : 604485  
Date : 25/02/05  
Dess. Par : LCL  
Vérifié par : LSO

Indice :  
Date de révision :



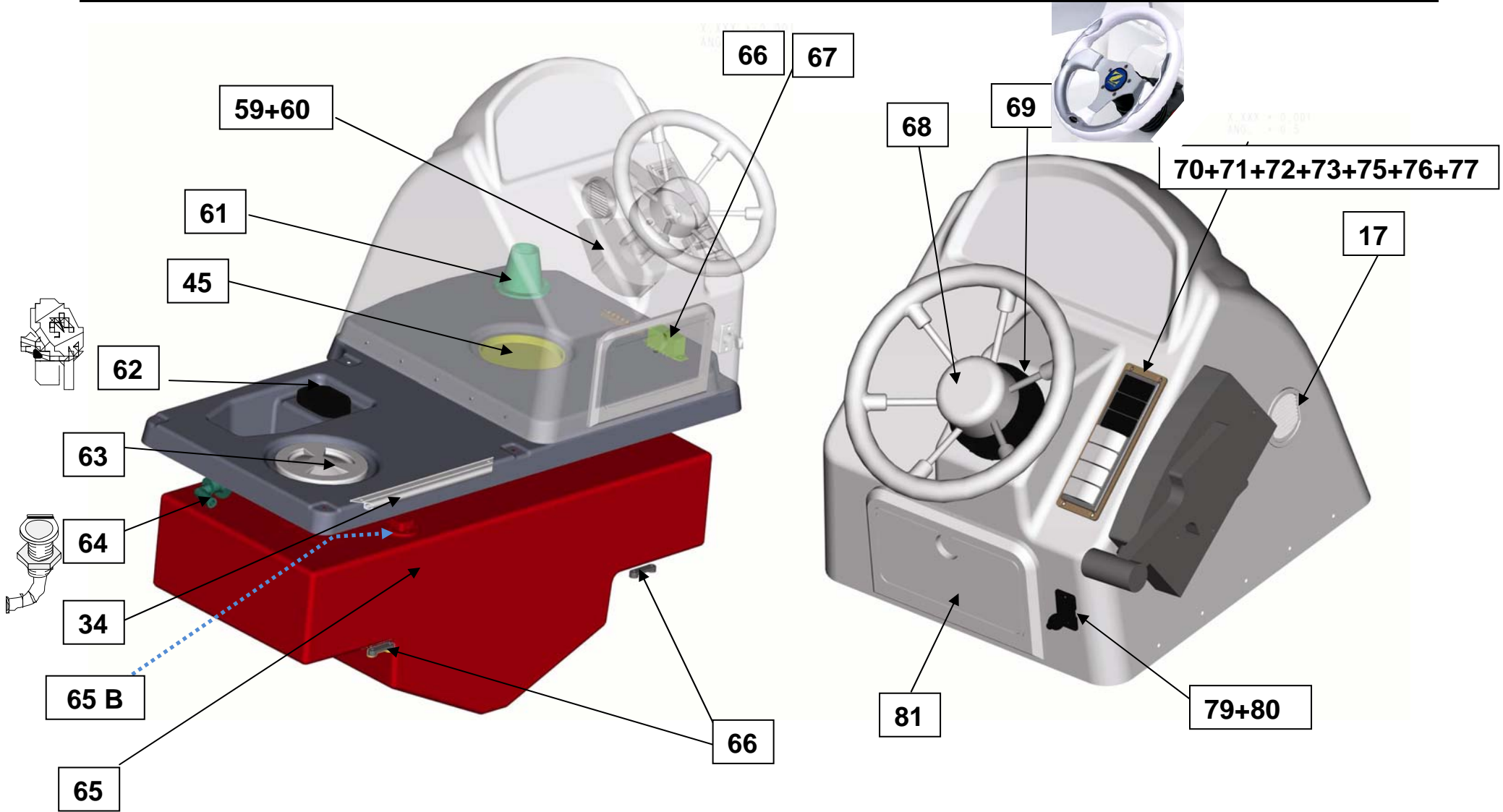


Bureau d'Etudes  
St Jean D'Illac

**YL 470 DL 2006**  
PIECES DETACHEES  
SPARE PART

Etude N° : 604485  
Date : 25/02/05  
Dess. Par : LCL  
Vérifié par : LSO

Indice :  
Date de révision :





Bureau d'Etudes  
St Jean D'Illac

**YL 470 DL 2006**  
PIECES DETACHEES  
SPARE PART

Etude N° : 604485  
Date : 25/02/05  
Dess. Par : LCL  
Vérifié par : LSO

Indice :  
Date de révision :

