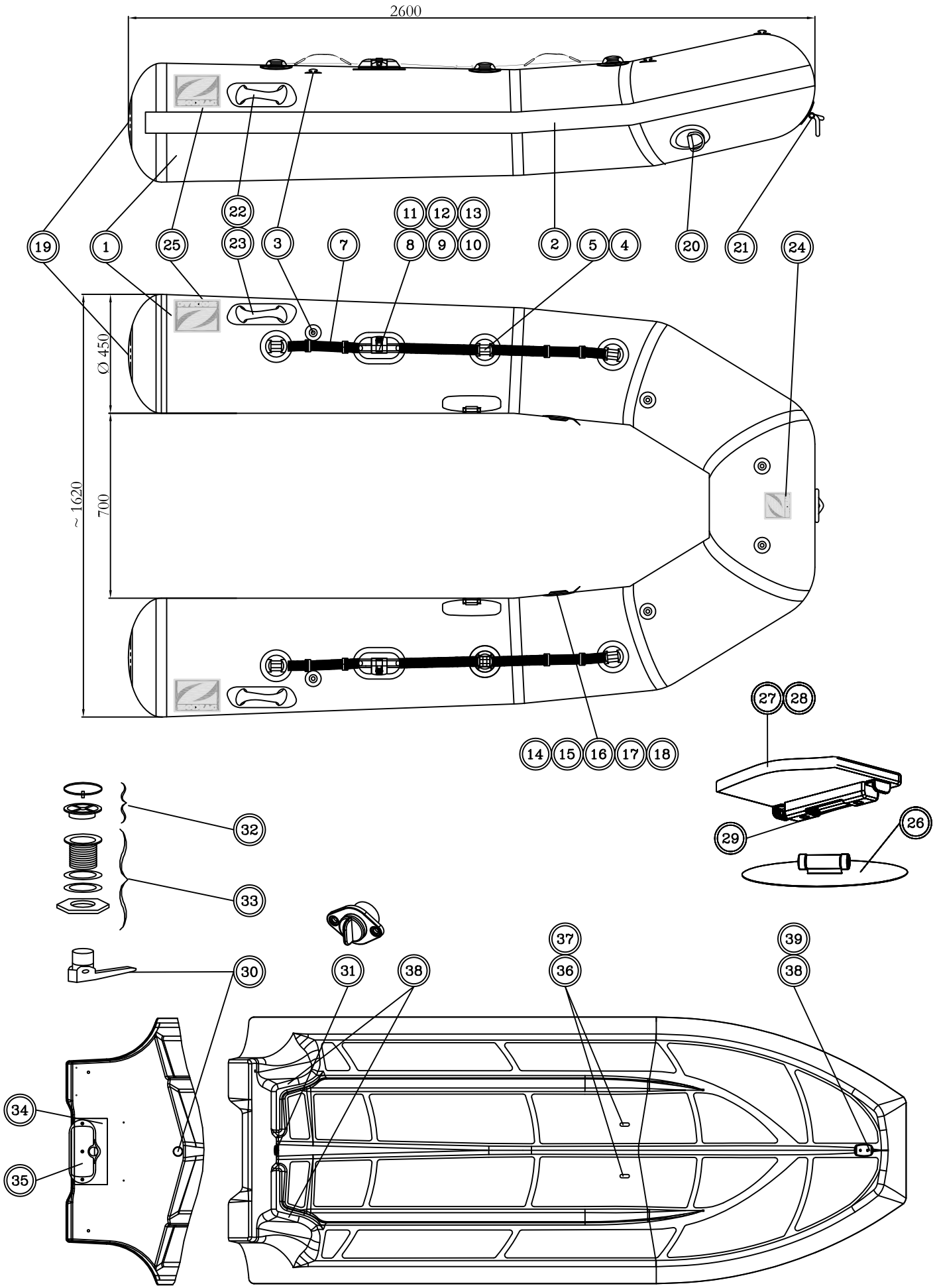


# Flot Cadet RIB 260 - Z11367



ZT97078		CADET 260 RIB		Z11367	
Rep.	Qty	PTN°	Description FR	Description GB	11 06 2009
<b>EQUIPMENT FLOTTEUR -- BUOYANCY TUBE EQUIPMENT</b>					
1	M	Z7197	T/BLANC AX/YL	WHITE REPAIR FABRIC	
2	1	Z67154	DEF GR GZ/GC/BC/GC/GZ 8,4M	FENDER GREY ZO./L.GR./WHITE 8.4M	
3	6	Z2816	PLOT FIX.SAC/AVIR.GR.CL (4)	PLAST.ATTACH.OAR/BAG L.GR(4)	
4	4	Z6428	PAS.SANGL/DRISS.GR/CL.(1)	MOULD.STRAP/ROPE HOLD 1GR	
5	4	Z60145	VERROU DRISSE "TE" GR. (4)	RETAINER FOR ROPE "T" GR. (4)	
6	2	Z2893	SANGLE GRISE L35MM (10M)	GREY STRAP 35MM (10M)	
7	4	Z6276	PG SURMOULEE GRISE SNG 35 (2)	HANDLE F/SAFETY STRAP GREY (2)	
8	2	Z60738	TOLET BLOQUEUR AVIRON GRIS (2)	OAR LOCK JUBILEE CLIP GREY (2)	
9	2	Z60073	AXE DN BASC. 01 GR-CL (1)	AXE RECL.OAR 01 GREY (1)	
10	2	Z2844	AN.AXE DAME BASCUL.GR(10)	RING F/RECL.OAR GREY PLAST.10	
11	2	Z60075	EMBASE 01 DN BASC. GR-CL (1)	SUPPORT RECLINING OAR 01 GREY	
12	2	Z60077	COQUILLE. 02 GR-CL DNB. (1)	SWIVEL RECLINING OAR 02 GREY	
13	2	Z60078	BOUTON RESSORT DAME NAGE(2)	RETAINER FOR OAR SWIVEL 02 (2)	
14	2	Z60216	BOUCHON VIS VALVE ENC GR CL(5)	CAP THREAD RECES.VALVE(5)GREY	
15	2	Z6851	JT BOUCHON V.E. (25)	GASKET/CAP RECESSED VALVE (25)	
16	2	Z6852	JT ECROU V.E.(10)	GASKET/SCREW RECES.VALVE (10)	
17	2	Z60055	SUPPORT CLAP. VALVE ENC.02(10)	RECESSED VALVE INSERT 2002(10)	
18	2	Z60217	CORPS VALVE ENCASTREE GR CL(5)	BODY/SCREW.RECES.VALVE GR(5)	
19	2	Z60608	CONE 05 CALOTTE GR.CL D201	CONE END 05-D201 GREY FABRIC	
20	2	Z2128	AD 53 ROND BLANC STR.(5)	D RING 53MM ROUND WHITE (5)	
21	1	Z60093	PG AV TRG PLAST T/ GR.CL	BOW HANDLE TRG - LIGHT GR.FAB	
22	1	Z3077	PG LAT GAUCHE GRIS/CL 95	GREY CARR HD LEFT 95	
23	1	Z3078	PG LAT DROITE GRIS/CL 95	GREY CARR HD RIGHT 95	
24	1	Z60020	LOGO "Z" 02 PM BLANC-GRIS (1)	LOGO "Z" 02 PM BLANC-GRIS (1)	
25	2	Z60021	LOGO "Z" 02 GM BLANC-GRIS (1)	LOGO "Z" 02 LARGE WHITE GREY 1	
26	2	Z60735	SUPP BANC RENFORCE T/BLANC (2)	SUP/WHITE FAB V2 QCK FIT BENCH	
27		Z1254	ASSISE GRISE BANC S/RAIL (2)	FOAM GREY F/WOOD BENCH (2)	
28	1	Z60558	BANC YL R QUICKFIT L850 BLC 05	QUICK FIT BENCH YL275/310 WHI	
29	2	Z60560	SUPPORT MULTIF.GRIS BANC 05(2)	QUICK FIT BENCH RETAINER GR 05	
<b>TABLEAU / TRANSOM</b>					
30	1	Z1944	BOUCHON VIDE-VITE S-R YL1R-DL	RIB SELF BAILER PLUG	
31	1	Z2154	NABLE A VIS + MANCHON (1)KIT	DRAIN PLUG BLK SCREWED SET(1)	
32	1	Z1946	CLAPET VIDE-VITE S-R	RIB SELF BAILER DIAPHRAGM	
33	1	Z1947	PASSE-COQUE V-VITE S-R(1)	RIB SELF BAILER THRU-HULL	
34	1	Z67017	PLAQUE BOIS BLC 275/385	TRANSOM PAD WH 275/385	
35	1	Z2220	PLAQUE SUP MOTEUR <15CV	MOTOR SUP.PLAQUE SMALLSIZE	
<b>COQUE / HULL</b>					
36	1	Z2903	SANGLE RESERVOIR+PONTET KIT	FUEL TANK STRAP + LOOP (SET)	
37	2	Z60443	PONTET DE SANGLE (2)	PLASTIC LOOP (2) F/ STRAP	
38	3	Z6740	ECROU A OEIL D 8 INO (10)	EYE BOLT D8 SS (10)	
39	1	Z1488	CADENE ETANCHE NO.8X100 (1)	U-TYPE ATTACHMENT 8X100 1	
<b>EQUIPMENT STANDARD STANDART EQUIPMENT</b>					
	2	Z6425	AVIRON GRIS 1.60XD35 (2)	GREY OAR 1,60XD35 (2)	
	2	Z2815	CLIP AVIRON GRIS CLAIR(2)	OAR CLIP -GREY PLASTIC- (2)	
	1	Z60977	GONFLEUR BRAVO 7	BELLOWS-BRAVO 7 COMPLETE (1)	
	1	Z60811	TUYAU GONFLEUR ANNELE 1M70-08	INFLATABLE HOSE/08 FOOT PUMP	
	1	Z67068	RACCORD CL16 STANDARD	COUPLING CL16 STANDARD	
	1	Z6730	V/REP.BATEAUX STRONGAN	STRONGAN BOATS REPAIR KIT	
	1	Z60798	PALETTE TISSU STG P/REPAR.06	PALETTE TISSU STG P/REPAR.06	
	1	Z60186	AUTO-COLLANT SECURITE	STICKER -SAFETY-	
	1	Z3018	MAN.PROP T1 GENERALITES	MAN.PROP T1 GENERALITES	
	1	Z7121	MAN PROP. T2 YL1 R	OWNERS MAN V.2 YL1 R	
	1	Z2019	SANGLE RESERVOIR	TIE DOWN STRAP F/AIRFLOOR	

