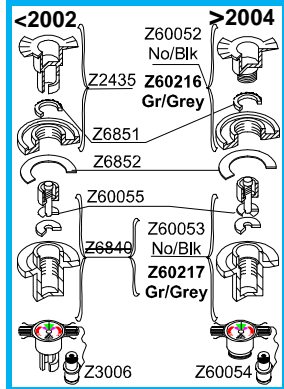




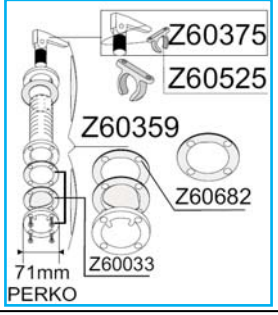
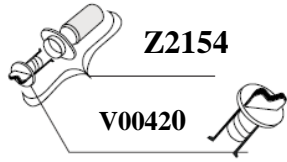
ZODIAC

GDB 08/06/09

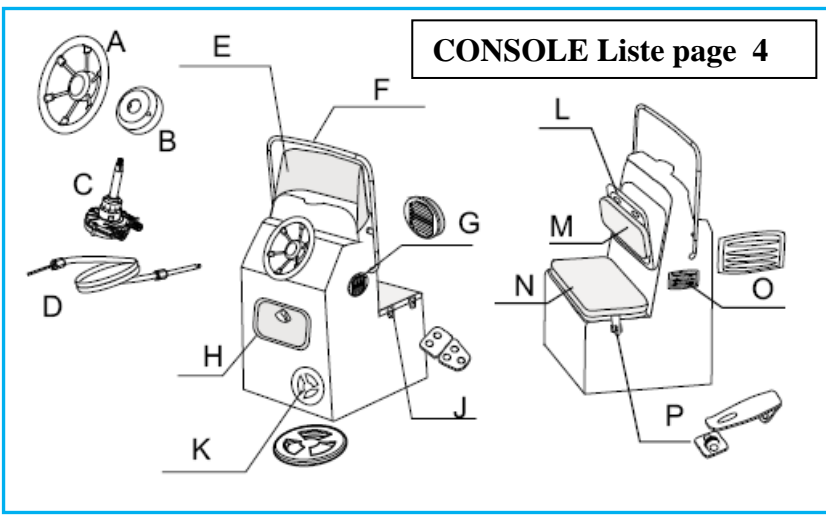
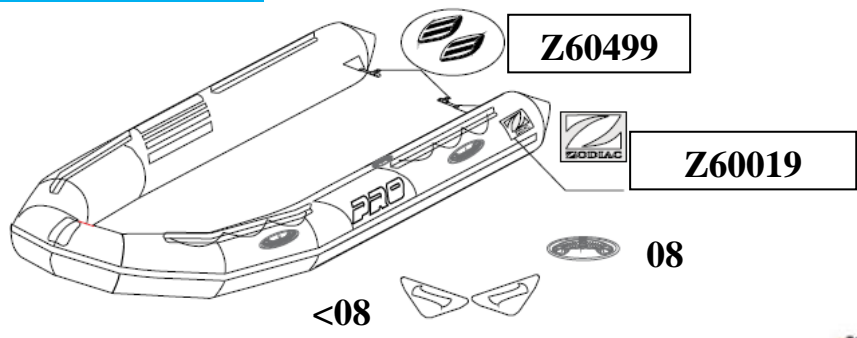
105521 – PIÈCES DETACHÉES/SPARE PARTS – PRO 12MAN - 2004 - Long. 5M20



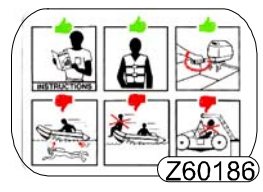
23--liste page 2



12/18--liste page 4



CAUTION /STICKER
RECOMMANDATION
Z60440 F-GB (6)
Z60441 IT-ES-D (6)





PRO 12 MAN 2004
Longueur 520

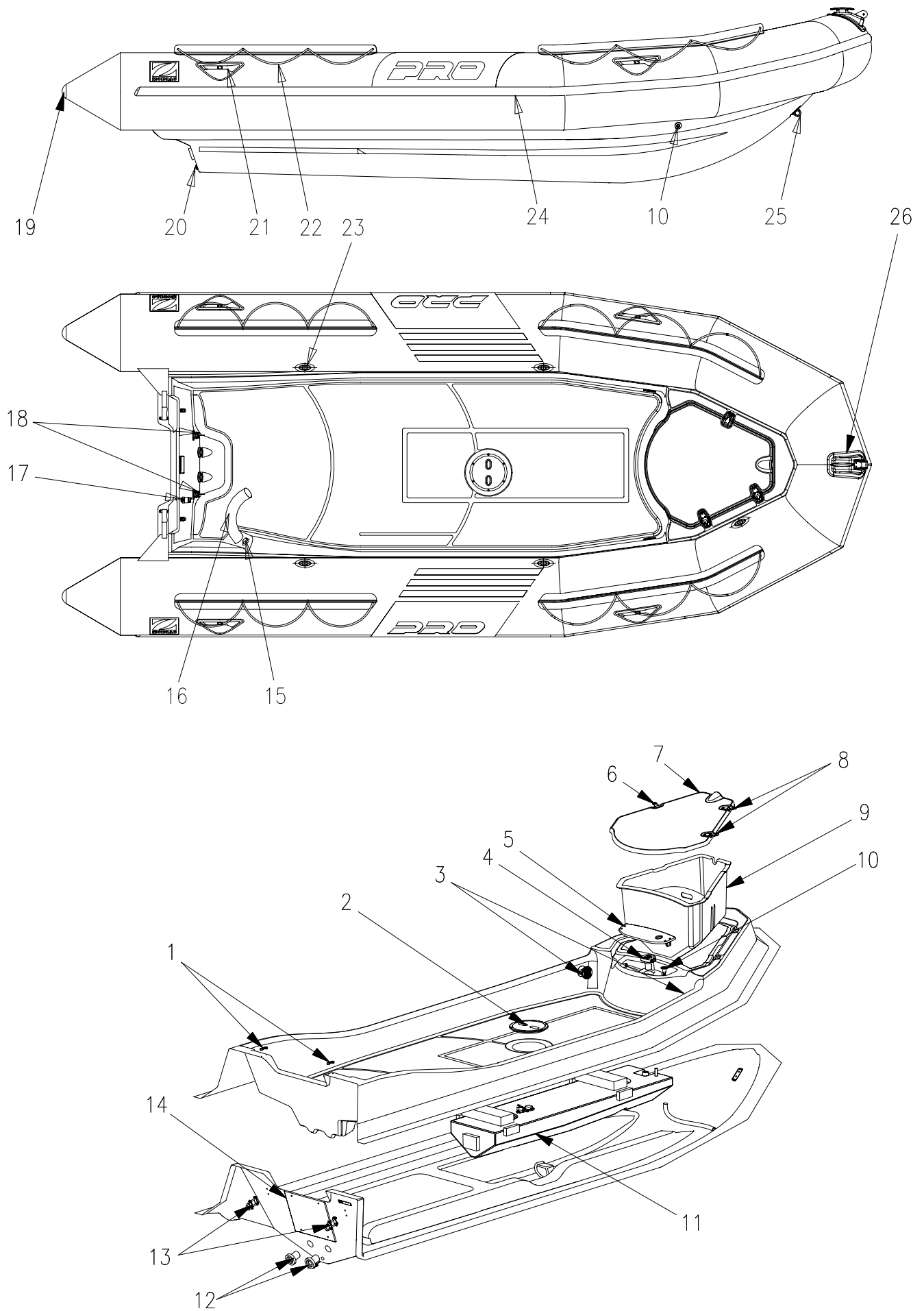
604278 A

Rep.	Code	Qte/Bat	Description FR	Description GB
EQUIPEMENT FLOTTEUR - PVC - TUBE EQUIPMENT				
	MODELE	Z14254-Z14255 PRO 12 MAN RED/GREY		
	PVC	Z16013	FLT. PRO 12 MAN GRIS	supprimé voir--discontinued see Z16059
		Z16014	FLT. PRO 12 MAN RGE	supprimé voir--discontinued see Z16058
		Z7084	PM T/STG GRIS ZODIAC (PM)	STRONGAN GREY REPAIR FAB.(PM)
		Z7131	PM T/CRPS BAT 1100 SSTG ROUGE	STRONGAN RED REPAIR FAB.(PM)
		Z6730	V/REP.BATEAUX	BOATS REPAIR KIT
		Z60798	PALETTE TISSU STG P/REPAR.06	COLOURED FAB.PVC 06 F/REPAIR
	PVC	Z16059	FLT PRO 12 MAN GR > 08	TUBE PRO 15 MAN GR 08
		Z16058	FLT PRO 12 MAN RGE > 08	TUBE PRO 15 MAN RED 08
EQUIPEMENT FLOTTEUR - NEO - TUBE EQUIPMENT				
	MODELE	NEO GRIS-GREY 2009		
	2009	Z16089	FLT PRO 12 MAN NEO GR (EU)	TUBE SET PRO 12 MAN NEO GREY
		Z67165	T/NEO 1450 GRIS NAVY (ML)	FABRIC NAVY GREY NEO 1450(PM)
		Z60860	V/REP NEO GR.BLC+COLLE 06	NEOPR.FAB REPAIR SET GR.WH.GLUE
	2009	Z65216	NEW PATCH -N GO KIT RECHANGE (5)	PATCH -N GO KIT RECHANGE (5)
	MODELE	NEO BLEU / DELPHE BLUE 2009		
	2009	Z16090	FLT PRO 12 MAN NEO BL DELPHE (EU)	TUBE SET PRO 12 MAN DELPH BLUE
		V02437	T/ BLEU DELPHE BLUE 1670 DT(MT)	FABRIC DELPHE BLUE 1670 DT(MT)1
		V00273	KIT REPARAT. DELPHE BLUE	REPAIR KIT DELPHE BLUE
EQUIPMENT STANDARD FLOTTEUR -- STANDARD TUBE EQUIPMENT				
		Z60470	1 PG SANGLE OVALE NO (1)	HDL STRAP BLK.FAB OVAL (1)
21	<08	Z2995	2 PG LAT TR G NOIRE	CARRY HANDLE BLACK-LEFT NM
21		Z2994	2 PG LAT TR D NOIRE	CARRY HANDLE BLACK-RIGHT NM
21	08	Z60993	5 POIGNEE LAT.SOFT ZODIAC NOIR	CARRY HAND SOFT ZODIAC BLACK
		Z60499	2 BOUCLE PLAST.NOIR/FIX.FLOT(2)	BUCKLE BLK PLAST.FIXING TUBE 2
19		Z2796	2 CONE MOULE NOIR (1)	HARD END CONE BLACK (1)
22		Z3289	1 CORDE PY D14 NOIRE 25M	BLCK CORD D14 L25M POLY.
23		Z60052	5 BOUCHON VIS VALVE ENC.NOIR(5)	CAP F/SCREW.RECES.VALVE BLK(5)
		Z60053	5 CORPS VALVE ENCASTREE 2002 (5)	VALVE BODY RECESSED 02 (PK5)
		Z6851	5 JT BOUCHON V.E. (25)	GASKET/CAP RECESSED VALVE (25)
		Z6852	5 JT ECROU V.E.(10)	GASKET/SCREW RECES.VALVE (10)
		Z60055	5 SUPPORT CLAP. VALVE ENC.02(10)	RECESSED VALVE INSERT 2002(10)
24		Z2763	1 DEF GR NO FIL.BC 13,3M	RUB.STRAKE BLK/WH. 13M3
		Z60727	2 LOGO PRO MAN T/NOIR KIT	LOGO PRO MAN BLACK SET
		Z60019	2 LOGO "Z" 02 GM BLEU JAUNE (1)	LOGO "Z" 02 LARGE BLUE YELL(1)
		Z60499	2 BOUCLE PLAST.NOIR/FIX.FLOT(2)	BUCKLE BLK PLAST.FIXING TUBE 2

N° 105521

ECLATE PIECES DETACHEES PRO 12 MAN

Code article: Z14238



Longueur 520				604278 A	
Rep.	Code	Qte/Bat	Description FR	Description GB	
EQUIPEMENT COQUE -- HULL EQUIPMENT					
1	Z60443	4	PONTET DE SANGLE (2)	PLASTIC LOOP (2) F/STRAP	
1	Z60267	1	TRAPPE PONT MED3	INSPECTION DECK LID MED3	
1	Z60218	2	GRILLE DE VENTILATION D 70MM	VENT GRILL D70MM	
1	Z2426	1	BOUCHON REMPLISS.ESSENCE	GAS FILLER CAP	
1	Z60505	1	CAPOT REMPLISS.ESSENCE PRO 12M	FUEL FILLER LID-PRO 12 MAN	
5	Z60232	2	LOQUET PLASTIQUE NOIR (2)	TIE DOWN PLASTIC LID (2)	
6	Z60444	1	FERMOIR COFFRE (1) INOX	FERMOIR COFFRE (1) INOX	
7	Z60506	1	CAPOT PRO 12 MAN	BOW LOCKER LID PRO 12 MAN	
8	Z60549	2	CHARNIERE 97X32X2 INOX (2)	HINGE PRO 12 LID SS 97X32 (2)	
9	Z60507	1	BAILLE A MOULAGE+CLOISON P12M	BOW LOCKER+BULKHEAD PRO 12M	
10	Z60231	1	PASSE COQUE ASSECHEM GOBELET	BUNG WATER FLOW EXHAUST	
11	Z60508	1	RESERVOIR P12M/REMLAC.KIT	FUEL TANK REPAIR SET PRO12MAN	
11	Z60570		JAUGE ESS.PRO 12 MAN	FUEL SENDER PRO 12 MAN	
12	Z60359	1	VIDE VITE GROS DEBIT RIB 03	HIGH VOLUME WATER DRAIN 03	
	Z60033	1	MENBRANE+BAGUE V/VITE GR DEBIT	MEMBRANE + RING SELF BAILER GR	
	Z60682		JOINT VDV GROS DEBIT -EXT. (4)	GASKET 4 HIGH VOLUM BAILER (4)	
13	Z1436	2	CADENE 8X120 (2) 97	U-TYPE TIE DOWN (2)	
14	Z60221	1	PLAQUE BLANC 440-480-600	TRANSOM PAD.WHITE 440-480-600	
15	Z60194	1	SOUFFLET PASSE CABLE D74	SHIFT CABLE BELLOW DIAM.75	
16	Z60510	2	PROTECTION SORTIE CABLE GM	PROTECTION HOSE F/CABLE LM	
17	Z60908	1	FILTRE A ESSENCE 1/4 <150 HP	FILTRE A ESSENCE 1/4 <150 HP	
18	Z60375	1	BOUCHON VIDE VITE S.RIGIDE	RIB SELF BAILER CAP/LEVER TYPE	
	Z60525	1	SUPPORT BOUCHON VV SR 03	TIE DOWN SELF BAILER CAP SR 03	
20	Z2154	1	NABLE A VIS NO. MANCHON (1)KIT	DRAIN PLUG BLK SCREWED SET(1)	
20	V00420		BOUCHON NABLE NOIR (2)	DRAIN PLUG BLACK RIB HULL(2)	
25	Z60533	1	CADENE ETANCHE 8X80 NOIR (1)	U-TYPE ATTACHMENT 8X80 BLK(1)	
25	Z6740	1	ECROU A OEIL D 8 INO (10)	EYE BOLT D8 SS (10)	
26	Z60038	1	DAVIER BLC + REA A/TAQUET KIT	ANCHOR ROPE GUIDE WHITE SET	
27	Z61094	KIT	MANCHE PASSE CABLE T/GR.KIT(2)	GREY CABLE SLEEVE SET (2)	
28	Z1988	1	CADRAN-JAUGE ESSENCE-CONSOLE	FUEL GAUGE/CONSOLE	
Rep.	Code	Z61121 CONSOLE PRO 12 /15 MAN /			
A	Z1259	VOLANT BLANC/Steering wheel			
B	Z2582	SUPPORT VOLANT/BLACK			
C	Z61062	BOITIER /STEERING BOX			
D	Z61068	CABLE M66 12 "/Pieds			
E	Z60349	PARE BRISE/WIND SCREEN			
F	Z60377	M/COURANTE Inox/Hand Rail			
G	Z60218	GRILLE D 70MM/Vent Grill			
H	Z60220	TRAPPE/Hatch 270 X 375			
J	Z6641	CHARNIERE/HINGE			
K	Z1484	TRAPPE/Hatch D130			
L	Z60498	TRAPPE/Hatch 517X463			
M	Z6637	COUSS.Dossier/Backrest			
N	Z6638	COUSS.assise Réservoir			
O	Z6642	TRAPPE/Hatch 200X100			
P	Z6640	Charnière- Hasp Hinge			
EQUIPEMENTS STANDARD / STANDARD EQUIPMENT					
	Z2969		PAGAE NOIRE TEL.1M20 (2)	TELESCOPIC PADDLE BLK 1M20 (2)	
	Z60978	1	GONFLEUR BRAVO 8	FOOT PUMP BRAVO 8	
	Z60811		TUYAU GONFLEUR ANNELE 1M70-08	INFLATABLE HOSE/08 FOOT PUMP	
	Z67068		RACCORD CL16 STANDARD	COUPLING CL16 STANDARD	
	Z60054		BOUCHON INDIC.PRESS.VIS VE 02	SCREW CAP PRESSURE GAUGE 02	
	Z3018		MAN.PROP T1 GENERALITES	OWNERS MAN 1 GENERALITIES	
	Z60556		MAN. PROP PRO 12 MAN	OWNER'S MANUAL PRO 12 MAN	