



PRO 15 MAN 2005
Longueur 630

604278 A

Page	Rep.	Code	Qte/Bat	Description FR	Description GB
EQUIPEMENT FLOTTEUR - PVC - TUBE EQUIPMENT					
	MODELE	Z14278_14279			
	PVC	Z7084	PM	T/STG GRIS ZODIAC (PM)	STRONGAN GREY REPAIR FAB.(PM)
		Z7131	PM	T/CRPS BAT 1100 SSTG ROUGE	STRONGAN RED REPAIR FAB.(PM)
		Z6730		V/REP.BATEAUX	BOATS REPAIR KIT
		Z60798		PALETTE TISSU STG P/REPAR.06	COLOURED FAB.PVC 06 F/REPAIR
EQUIPEMENT FLOTTEUR - SHARC - TUBE EQUIPMENT					
	MODELE	Z14292 PRO 15 Rge-Red_Z14293 PRO 15 Gr-Grey 07			
		Z14310 PRO 15 Rge-Red_Z14311 PRO 15 Gr-Grey 08			
1	SHARC	Z16037	1	FLT. PRO 15 MAN GR SHARC	TUBE PRO 15 MAN GR SHARC 08
1	SHARC	Z16038	1	FLT. PRO 15 MAN RG SHARC	TUBE PRO 15 MAN RED SHARC
		Z60858		T/SHARC GR.ZO 1200 MAT (ML)	GR-ZO SHARC FAB 1200 PM
		Z60857		T/SHARC RGE 1200 MAT (ML)	RED SHARC FAB. 1200 PM
		Z60956		LOGO SHARC BABORD	LOGO SHARC PORT
		Z6730		V/REP.BATEAUX	BOATS REPAIR KIT
		Z60859		PALETTE TISSU SHARC P/REP.	COLOURED SHARC FABRIC F/REPAIR
EQUIPEMENT FLOTTEUR - NEO - TUBE EQUIPMENT					
	MODELE	Z14417 PRO 15 NEO Gris/Grey >09_ Z14416 PRO 15 NEO Rouge/Red >09			
1	NEO	Z16074	1	FLT PRO 15 MAN NEO GR	TUBE PRO 15 MAN NEO GR
		Z67165		T/NEO 1450 GRIS NAVY (ML)	FABRIC NAVY GREY NEO 1450(PM)
EQUIPEMENT FLOTTEUR - NEO - TUBE EQUIPMENT					
1	NEO	Z16075	1	FLT PRO 15 MAN NEO RG	TUBE PRO 15 MAN NEO GR
		Z2035		T/CRPS 1450 DTX RG/NEO ATHENES	FABRIC RED NEO.1450 (PM)
		V02954		REPAIR KIT NAVY GREY	special order- à commander
	2009	Z65216	NEW	PATCH -N GO KIT RECHANGE (5)	PATCH -N GO KIT RECHANGE (5)
		Z60860		V/REP NEO GR.BLC+COLLE 06	NEOPR.FAB REPAIR SET GR.WH.GLUE

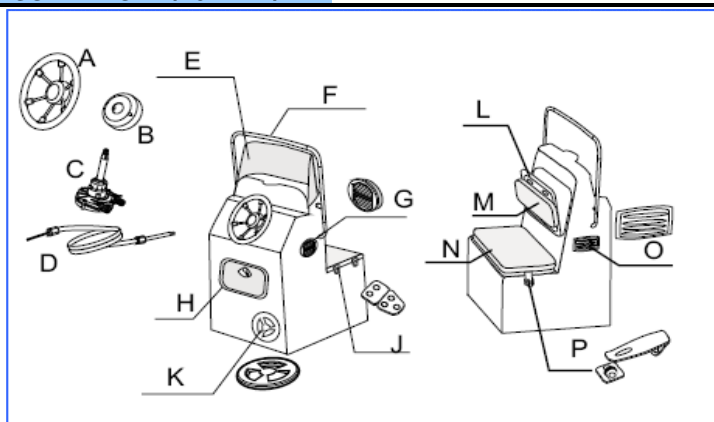


EQUIPMENT STANDARD FLOTTEUR -- STANDARD TUBE EQUIPMENT					
4		Z60470	1	PG SANGLE OVALE NO (1)	HDL STRAP BLK.FAB OVAL (1)
4	<08	Z2995	2	PG LAT TR G NOIRE	CARRY HANDLE BLACK-LEFT NM
4		Z2994	2	PG LAT TR D NOIRE	CARRY HANDLE BLACK-RIGHT NM
4	08	Z60993	5	POIGNEE LAT.SOFT ZODIAC NOIR	CARRY HAND SOFT ZODIAC BLACK
		Z60499	2	BOUCLE PLAST.NOIR/FIX.FLOT(2)	BUCKLE BLK PLAST.FIXING TUBE 2
		Z2796	2	CONE MOULE NOIR (1)	HARD END CONE BLACK (1)
		Z3289	1	CORDE PY D14 NOIRE 25M	BLCK CORD D14 L25M POLY.
		Z60052	5	BOUCHON VIS VALVE ENC.NOIR(5)	CAP F/SCREW.RECES.VALVE BLK(5)
		Z60053	5	CORPS VALVE ENCASTREE 2002 (5)	VALVE BODY RECESSED 02 (PK5)
		Z6851	5	JT BOUCHON V.E. (25)	GASKET/CAP RECESSED VALVE (25)
		Z6852	5	JT ECROU V.E.(10)	GASKET/SCREW RECES.VALVE (10)
		Z60055	5	SUPPORT CLAP. VALVE ENC.02(10)	RECESSED VALVE INSERT 2002(10)
		Z2763	1	DEF GR NO FIL.BC 13,3M	RUB.STRAKE BLK/WH. 13M3
		Z60019	2	LOGO "Z" 02 GM BLEU JAUNE (1)	LOGO "Z" 02 LARGE BLUE YELL(1)
		Z60727	2	LOGO PRO MAN T/NOIR KIT	LOGO PRO MAN BLACK SET

Longueur 630				604278 A	
Page	Rep.	Code	Qte/Bat	Description FR	Description GB
EQUIPEMENT COQUE -- HULL EQUIPMENT					
		Z1988		CADRAN-JAUGE ESSENCE-CONSOLE	FUEL GAUGE/CONSOLE
1	1	Z60038	1	DAVIER BLC + REA A/TAQUET KIT	ANCHOR ROPE GUIDE WHITE SET
1	2	Z60740	1	CADENE ETANCHE U 10X145(1)	U-TYPE ATTACHMENT 10X145 (1)
1	3	Z60236	1	ECROU A OEIL 10X150 (1)	EYE BOLT D 10X150 (1)
1	4	Z60742	1	BAILLE A MOUILLAGE+CLOISON P15	BOW LOCKER+BULKHEAD PRO 15M
1	5	Z60741	1	EVENT COUDE PRO 15 MAN	FUEL TANK VENT PRO 15 M
1	6	Z60231	2	PASSE COQUE V/COK + JOINT	BUNG WATER FLOW EXHAUST
1	6b	Z60758	1	JOINT PASSE COQUE EPAISS.1ML5	OVER FLOW GASKET 1ML5 (10)
1	7	Z60645	1	BOUCHON ESSENCE MEDLINE 2 C	GAS FILLER CAP MEDL 2C
1	8	Z60438	1	TRAPPE RONDE D 203	INSPECTION PLATE D 230 WHITE
1	9	Z60743	2	TRAPPE 254X508 BC	ACCESS HATCH 254X508 WHITE
1_3	10	Z60720	4	PASSE COQUE D35 L132 BLANC	THRU HULL D 35 L132 WHITE
1	11	Z60375	4	BOUCHON VIDE VITE D34 RIB	RIB SELF BAILER CAP/LEVER TYPE
1	11b	Z60525	4	SUPPORT BOUCHON VV SR 03	TIE DOWN SELF BAILER CAP SR 03
1	12	Z60908	1	FILTRE A ESSENCE 1/4 <150 HP	FILTRE A ESSENCE 1/4 <150 HP
1_2	13	Z60510	1	PROTECTION SORTIE CABLE GM	PROTECTION HOSE F/CABLE LM
1_2	14	Z60744	1	PROTECT.CABLE/TUY.ESS D65-L165	PROTECT.FUEL HOSE /STEER.CABLE
1_2	15	Z60200	3	TAQUET PLAT L153 V20MM INOX	CLAM CLEAT L153 SS
1_2	16	Z60745	3	PASSE COQUE MED2/PRO 650-550	THRU HULL MED2/PRO 650-550
1_2	17	Z60359	4	VIDE VITE GROS DEBIT RIB 03	HIGH VOLUME WATER DRAIN 03
1_2	17	Z60682	8	JOINT VDV GROS DEBIT-EXT-(4)	GASKET H.VOLUME WAT.DRAIN (4)
1_2	17	Z60033	1	MENBRANE+BAGUE V/VITE GR DEBIT	MEMBRANE + RING SELF BAILER GR
2	19	Z2738	1	NABLE LAITON A VIS D.25MM (1)	DRAIN PLUG / BRASS D.25MM (1)
1_2	20	Z1436	2	CADENE 8 H120 X40 (2)	U-TYPE TIE DOWN (2)
1_2	21	Z60746	2	JOINT CADENE 8 H120 X40 (4)	BOLT "U" TYPE 8X120 X40 (4)
1	22	Z60572	1	APPUI FLT.ARR.TBD OP650 KIT 04	TUBE RETAINER ST'BRD OP650 SET
1	23	Z60571	1	APPUI FLT.ARR.BAB OP650 KIT 04	TUBE RETAINER PORT OP650 SET
1	24	Z6469	2	GUIDE QUILLE PLANCHER(10)	KEEL GUIDE/ FLBD (10)
1	25	Z9811	1	BAC A BATTERIE GM	BATTERY BOX LARGE
1	26	Z60751	1	CLOISON COFFRE ARRIERE 470 DL	BULKHEAD AFT LOCKER 470 DL
1	27	Z60747	1	RESERVOIR PE PRO 15 MAN	RESERVOIR PE PRO 15 MAN
1	27b	Z60565	1	JAUGE ESS.SS490/580-SB480	FUEL SENDER SS490/580-SB480
1	28	Z60748	1	TRAPPE RESERVOIR PRO 15 MAN	HATCH FUEL TANK PRO 15 MAN
1	29	Z60749	1	CAPOT COFFRE AV. PY PRO 15 MAN	BOW LOCKER LID PRO 15 MAN
1	30	Z6640	1	CHARNIERE CADENAS INOX (1)	HASP/HINGE F/SB LOCKER (1)
1	31	Z3914	2	CHARNIERE SIEGE MED1(2)	HINGE/PILOT SEAT MED1 (2)
3	33	Z60440	1	STICKER WARNING RIB F-GB	STICKER WARNING RIB F-GB (6)
3	33	Z60441	1	STICKER WARNING RIB IT-ES-D	STICKER WARNING RIB IT-ES-D(6)
3	34	Z60186	1	AUTO-COLLANT SECURITE	STICKER -SAFETY-
3	35	Z60750	1	STICKER LIMITATION VITESSE	STICKER "SPEED LIMIT"
5	36	Z61094	KIT	MANCHE PASSE CABLE T/GR.KIT(2)	GREY CABLE SLEEVE SET (2)
1	37	Z1988		CADRAN-JAUGE ESSENCE-CONSOLE	FUEL GAUGE/CONSOLE

Rep. Code Z61121 CONSOLE PRO 12/15 MAN /

- A Z1259 VOLANT BLANC/Steering wheel
- B Z2582 SUPPORT VOLANT/BLACK
- C Z61062 BOITIER /STEERING BOX
- D Z61068 CABLE M66 12 "/Pieds
- E Z60349 PARE BRISE/WIND SCREEN
- F Z60377 M/COURANTE Inox/Hand Rail
- G Z60218 GRILLE D 70MM/Vent Grill
- H Z60220 TRAPPE/Hatch 270 X 375
- J Z6641 CHARNIERE/HINGE
- K Z1484 TRAPPE/Hatch D130
- L Z60498 TRAPPE/Hatch 517X463
- M Z6637 COUSS.Dossier/Backrest
- N Z6638 COUSS.assise Réservoir
- O Z6642 TRAPPE/Hatch 200X100
- P Z6640 Charnière- Hasp Hinge



EQUIPEMENTS STANDARD / STANDARD EQUIPMENT					
		Z2969		PAGAIE NOIRE TEL.1M20 (2)	TELESCOPIC PADDLE BLK 1M20 (2)
page 1/3 - dessin - -drawing-		Z60978	1	GONFLEUR BRAVO 8	FOOT PUMP BRAVO 8
		Z60811		TUYAU GONFLEUR ANNELE 1M70-08	INFLATABLE HOSE/08 FOOT PUMP
		Z67068		RACCORD CL16 STANDARD	COUPLING CL16 STANDARD
		Z60054		BOUCHON INDIC.PRESS.VIS VE 02	SCREW CAP PRESSURE GAUGE 02
		Z3018		MAN.PROP T1 GENERALITES	OWNERS MAN 1 GENERALITIES
		Z60799		MAN. PROP PRO 15 MAN	OWNER'S MANUAL PRO 15 MAN

