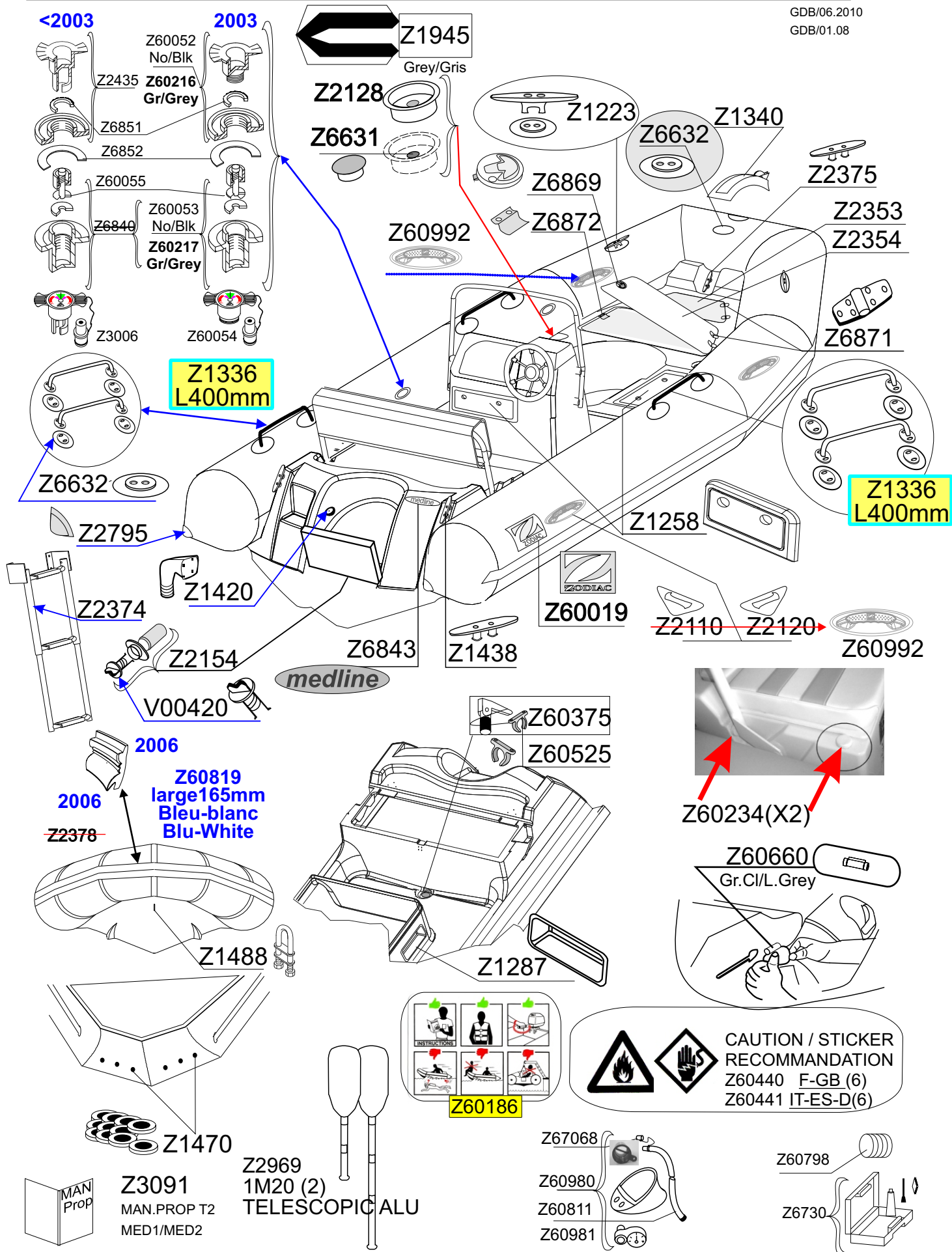


MEDLINE I 480

Gris Clair (1/2)
Light Grey **98-2006**

SERIE 9048/9049/0674
Z14330/Z14336

GDB/06.2010
GDB/01.08



Tissu pour réparation: Corps = Z2367 Gris Clair
Fabric for repairs : Tube = Z2367 Lighty Grey

MEDLINE I 480

Gris Clair (2/2) SERIE 9048/9049/0674
 Light Grey 98-2006 Z14330/Z14336

GDB/06.2010
 GDB/01.08

