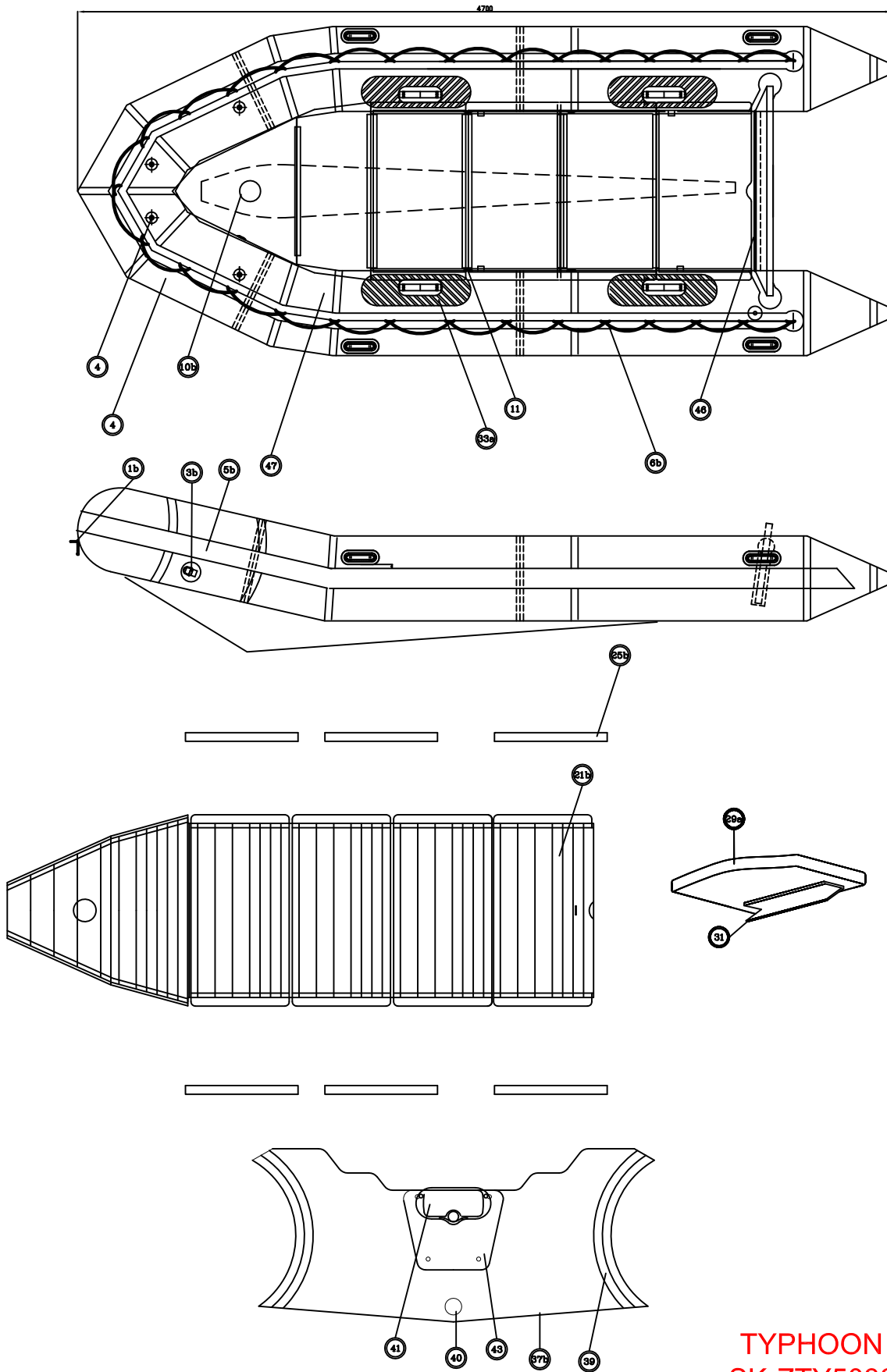


LISTE GAMME TYPHOON			LATTES SLATS	LATTES SLATS	FOND HP GONFLABLE	LATTES SLATS	FOND HP GONFLABLE	PLANCHER WOODEN FLOOR	FOND HP GONFLABLE	PLANCHER WOODEN FLOOR	PLANCHER WOODEN FLOOR	PLANCHER WOODEN FLOOR	PLANCHER WOODEN FLOOR	
SERIE/SERIAL			Z55027	Z55028	Z55029	Z55030	Z55031	Z55023	Z55024	Z55025	Z55026	Z55032	Z55033	
DESIGNATION	MODEL	PTN°	rep	TYPH CON 200	TYPH CON 235	TYPH CON 235 AERO	TYPH CON 265	TYPH CON 265 AERO	TYPH CON 310 S	TYPH CON 310 AERO	TYPH CON 380 S	TYPH CON 420 S	TYPH CON 420 ALU	TYPH CON 470 ALU
EQUIPEMENT FLOT.TUBE / KEEL -QUILLE														
POIGNEE AVANT GRIS (1) / BOW D-RING GREY		Z69348	1	X	X	X	X	X	X	X	X	X		
POIGNEE AVANT KAKI (1) / BOW D-RING KAKI		Z67444	1b										X	X
POIGNEE PORTAGE/BLACK HANDLE (2) PM		Z69301	2	X	X	X	X	X						
POIGNEE PORTAGE/BLACK HANDLE (2) GM		Z69302	2B						X	X	X	X	X	X
ANNEAU REMORQUAGE/TOWING RING (2) BLEU		Z69349	3	X	X	X	X	X	X	X	X	X		
ANNEAU REMORQUAGE/TOWING RING (2) KAKI		Z67445	3b										X	X
PLOT FIXATION NO/BOW BAG FITTING		Z69304	4						X	X	X	X	X	X
DEFENSE / RUBSTRAKE BLUE+2WHITE 110mm 1TD L= 15 M		Z69398	5	X	X	X	X	X	X	X	X	X		
DEFENSE / RUBSTRAKE BLACK+2GREY 110mm 1TD L= 15 M		Z67446	5b										X	X
DRISSE / ROPE BLUE L=8M		Z69306	6	X	X	X	X	X	X	X	X	X		
DRISSE / ROPE BLACK L=15M		Z67447	6b										X	X
PASSE DRISSE / ROPE HOLDER ZOOM (6)		Z69307	7	X	X	X	X	X	X	X	X	X		
QUILLE/KEEL 265 Long. 1800MM		Z67094	8a					X						
QUILLE/KEEL 310 Long. 2110MM		Z69350	8						X	X				
QUILLE/KEEL 360 Long. 2495MM		Z69351	9								X			
QUILLE/KEEL 420 Long. 2980MM		Z69352	10									X		
QUILLE/FEEL 470 Long. 3550MM		Z67095	10b											X
VALVE NOIRE / INFLAT. VALVE 09		Z67151	11	X	X	X	X	X	X	X	X	X	X	X
DAME DE NAGE/RECLINING OAR SUP (1)		Z69311	15	X	X	X	X	X	X	X	X	X		
REPOSE AVIRONS 2010 (2) /OAR STOPPER 2010 (2)		Z67269	16	X	X	X	X	X	X	X	X	X		
PLANCHER-LATTES														
KIT LATTES GRISE/SLAT KIT GREY (4X740) TY200		Z67101	17	X										
KIT LATTES GRISE/SLAT KIT GREY (5X750) TY235		Z67102	17a		X									
KIT LATTES GRISE/SLAT KIT GREY (6X760) TY265		Z67103	17b				X							
PLANCHER BLUE/PLYWOOD BLUE TYPHOON 310		Z69353	19						X					
PLANCHER BLUE/PLYWOOD BLUE TYPHOON 360		Z69354	20							X				
PLANCHER BLUE/PLYWOOD BLUE TYPHOON 420		Z69355	21								X			
PLANCHER ALU/PLYWOOD ALU TYPHOON 420		Z67183	21a										X	
PLANCHER ALU/PLYWOOD ALU TYPHOON 470		Z67184	21b											X
PROFIL" H" JONCTION T310 KIT ALUM.H ALUM.T310		Z69356	22						X					
PROFIL" H" JONCTION T360 KIT ALUM.H ALUM.T360		Z69357								X				
PROFIL" H" JONCTION T420 KIT ALUM.H ALUM.T420		Z69358									X			
LONGERON/STRINGER ZOOM 260 L650 (2)		Z69319	23						X					
LONGERON/STRINGER ZOOM 310 L1050 (2)		Z69320	24							X				
LONGERON/STRINGER ZOOM 350 L650 (4)		Z69321	25								X	X		
LONGERON/STRINGER ZOOM 400 L650 (6)		Z67104	25b											X
PLANCHER/MATTRESS H2P TYPHOON 235 AERO		Z67181	26			X								
PLANCHER/MATTRESS H2P TYPHOON 265 AERO		Z67182	26					X						
PLANCHER/MATTRESS H2P TYPHOON 310 AERO		Z69359	26							X				
SUPPORT RESERVOIR TISSU		Z69323	27			X		X		X				
BANC -- WOODEN BENCH														
BANC/BENCHE MODELE L=1000		Z69361	28						X	X				
BANC/BENCHE MODELE L=1100		Z69362	29								X			

BANC/BENCHE MODELE L=1150	Z69363	29a											
EQUERRE FIXATION BANC / SEAT HOOK (2)	Z69327	31					X	X	X	X	X	X	X
PATTE FIXATION BANC BLEU/BENCH FITTIING(2) BLUE	Z69328	32											
PATTE FIXATION BANC GRIS/BENCH FITTIING(2) GREY	Z69329	33					X	X	X	X			
PATTE FIXATION BANC KAKI/BENCH FITTIING(2) KAKI	Z67448	33b										X	X
TABLEAU -- TRANSOM													
TABLEAU BLEU/TRANSOM BLUE TYPHOON200	Z67449	36a	X										
TABLEAU BLEU/TRANSOM BLUE TYPHOON235	Z67450	34a		X	X								
TABLEAU BLEU/TRANSOM BLUE TYPHOON265	Z67451	35a						X					
TABLEAU BLEU/TRANSOM BLUE TYPHOON265 AERO	Z67452	35b							X				
TABLEAU BLEU/TRANSOM BLUE TYPHOON310	Z69364	34					X	X					
TABLEAU BLEU/TRANSOM BLUE TYPHOON360	Z69365	36							X				
TABLEAU BLEU/TRANSOM BLUE TYPHOON420	Z69366	37								X			
TABLEAU BLEU/TRANSOM BLACK TYPHOON420	Z67453	37a										X	
TABLEAU BLEU/TRANSOM BLACK TYPHOON470	Z67097	37b											X
SEMELLE/TRANSOM HOLDERS 18 mm	Z69334		X	X	X	X	X						
SEMELLE/TRANSOM HOLDERS 24 mm	Z69335	38						X	X				
SEMELLE/TRANSOM HOLDERS 36 mm	Z69367	39								X	X	X	X
VIDE-VITE/DRAIG PLUG D SET NOIR	Z69336	40	X	X	X	X	X	X	X	X	X	X	X
PLAQUE MOTEUR/MOTOR MOUNTING PLATE	Z69337	41	X	X	X	X	X	X	X	X	X	X	X
TASSEAUHPP/PLAST.FLOOR RETAINER GREY (2)	Z69338	42			X	X	X	X	X				
PLAQUE MARTYRE/WOODEN TRANSOM PAD 12MM	Z69339	43	X	X	X	X	X	X	X	X	X	X	X
EQUIPEMENT STANDARD -- EQUIPMENT STANDARD													
AVIRON/OAR d35 1,6 (2) + 2 TOLETS/THOLE PIN	Z67066	12					X	X	X	X	X		
AVIRON/OAR d35 1,3 (2) + 2 TOLETS/THOLE PIN	Z67065	13	X	X	X								
TOLETS NOIR/THOLE PIN BLACK D35+NOTI.SCOPE 09	Z67067	14	X	X	X	X	X	X	X	X	X		
GONFLEUR/FOOT PUMP BV7- VALVE BV5	Z67161		X	X		X	X	X	X	X	X		
GONFLEUR/FOOT PUMP BV9- VALVE BV5	Z67162				X		X		X				
TUYAU GONFLEUR/INFLAT.HOSE F/B5VALVE	Z67163		X	X	X	X	X	X	X	X	X	X	X
EMBOUT VALVE/CONNECTOR VALVE BV5	Z67164		X	X	X	X	X	X	X	X	X	X	X
MANO/PRESURE GAUGE VALVE BRAVO 05	Z67152		X	X	X	X	X	X	X	X	X	X	X
SAC/BAG BOMBARD	Z69368		X	X	X	X	X	X	X	X	X	X	X
REP.KIT COMPLET/RAPAIR KIT COMPLETE	Z69341		X	X	X	X	X	X	X	X	X	X	X
MAN.PROP T1 GENERALITES	Z3018		X	X	X	X	X	X	X	X	X	X	X
MAN PROP. T2 TYPHOON/MANUEL PROP T2 TYPHOON	Z69369		X	X	X	X	X	X	X	X	X	X	X
CLE VALVE PUSH PUSH 09/SPANNER 09 REC.VALV.	Z67105		X	X	X	X	X	X	X	X	X	X	X
T/REPARATION GR-CL ZOOM TYPHOON / GREY REPAIR FABRIC	Z67351	44	X	X	X	X	X	X	X	X	X	X	X
T/REPARATION BL-MA ZOOM TYPHOON/ BLUE REPAIR FABRIC	Z67352	45	X	X	X	X	X	X	X	X	X	X	X
T/REPARATION KAKI TYPHOON/ KAKI REPAIR FABRIC	Z67489	47										X	X
T/REPARATION NOIR / BLACK REPAIR FABRIC	Z7177	46	X	X	X	X	X	X	X	X	X	X	X
EQUIPEMENT EN OPTION -- OPTION EQUIPMENT													
SAC AVANT T2 / BOW BAG MEDIUM	Z69344							X	X	X	X	X	X



TYPHOON 470 ALU
 SK-ZTY5033a-N-ACC
 (ZODIAC Item Code:Z55033)