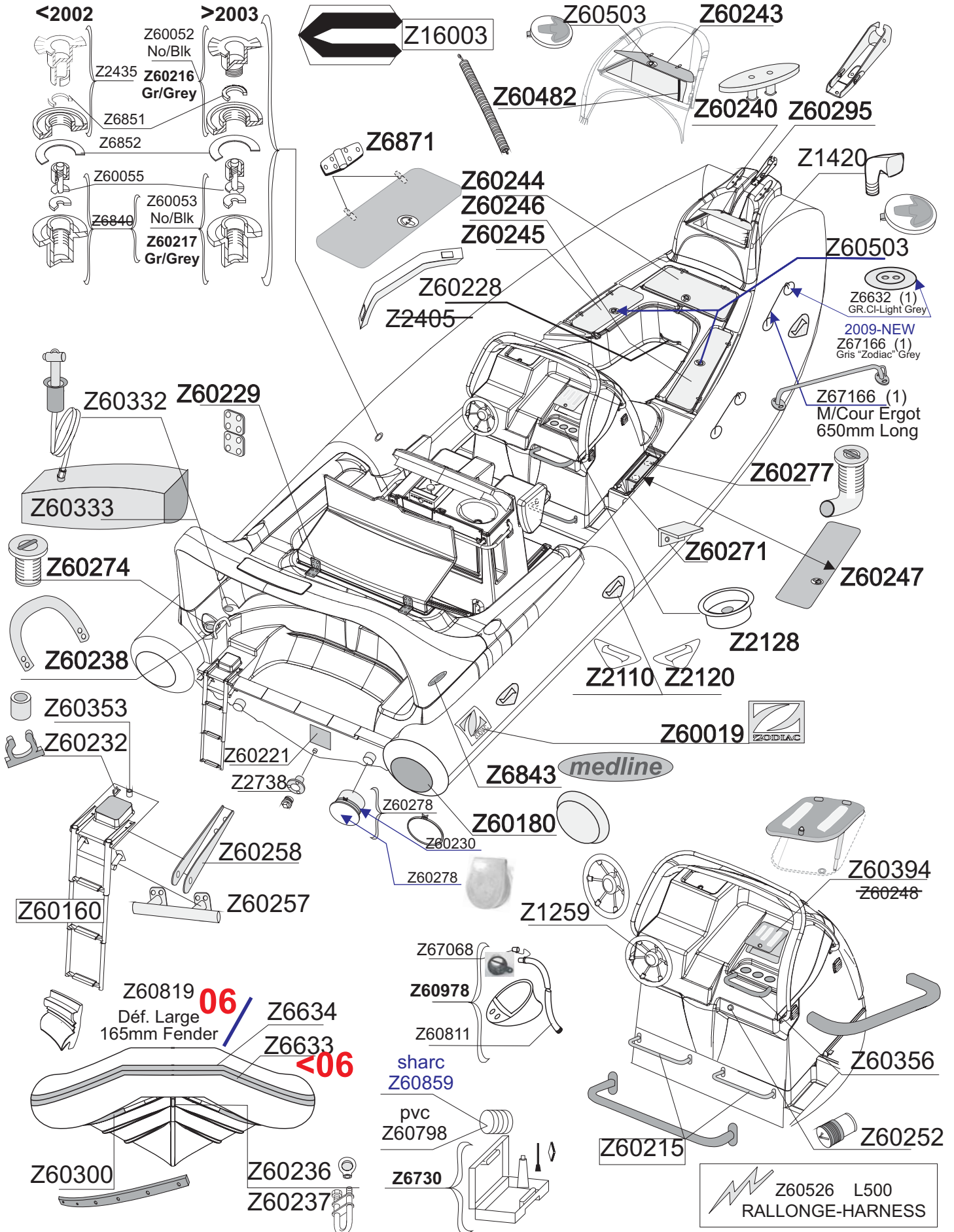


MEDLINE III

2002-2006 Z14332 -Z14339
Z14344 -

GDB/03.2010 GDB/08.07



Tissu pour réparation PVC = 2367 Gris Clair <07
Fabric for repairs PVC = 2367 Lighty Grey

Z60856 T/SHARC GR.CL 1200 MAT (ML)
Z60856 LIGHT GREY SHARC FAB. 1200 PM

MEDLINE III

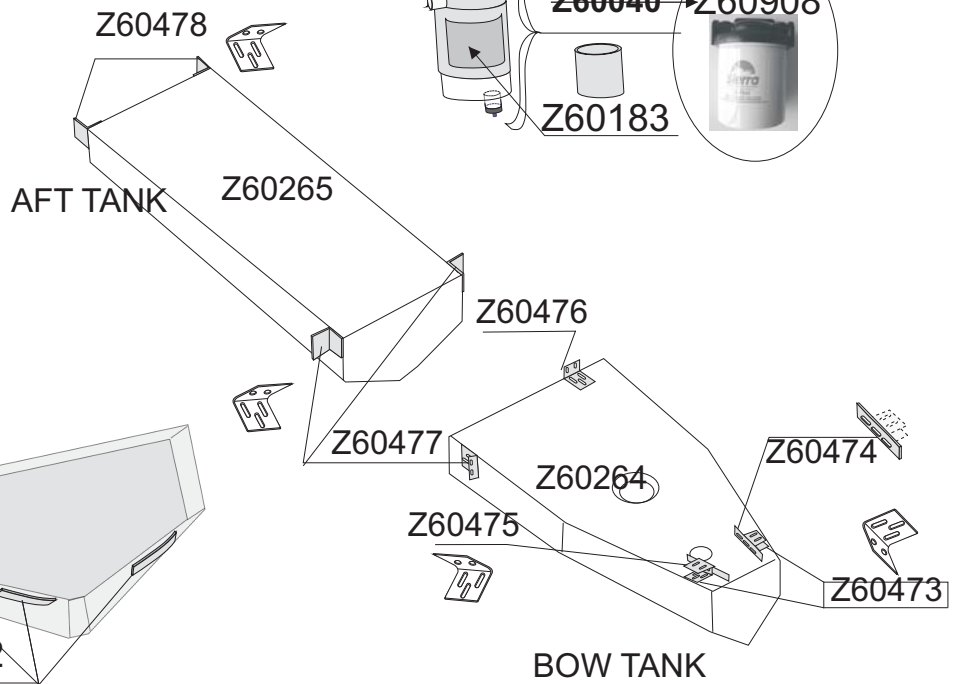
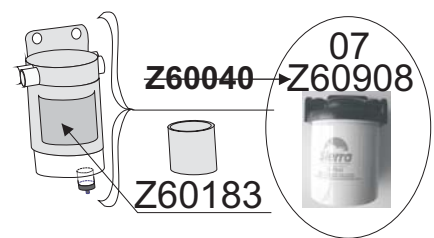
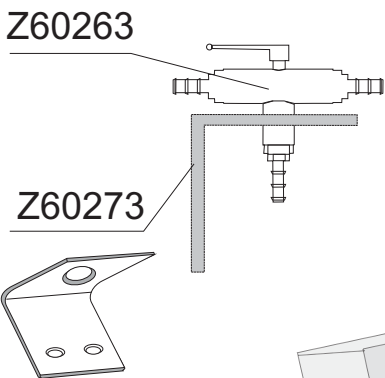
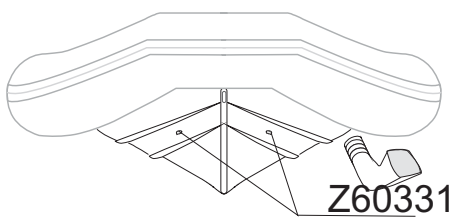
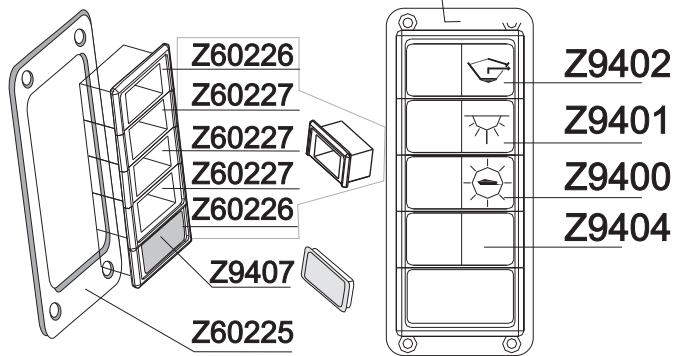
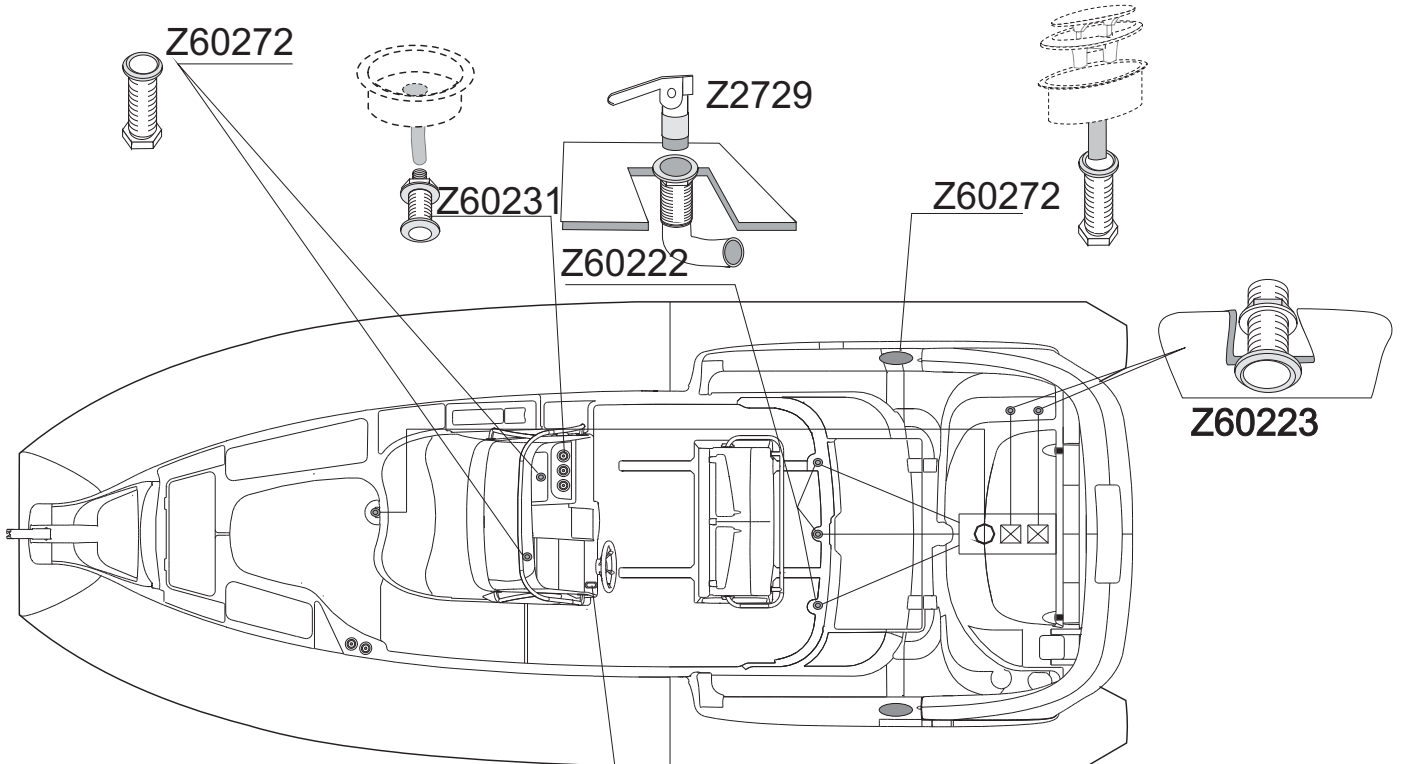
2002-2006

Z14332 -Z14339

Z14344 -

GDB/03.2010

GDB/08.07



MEDLINE III

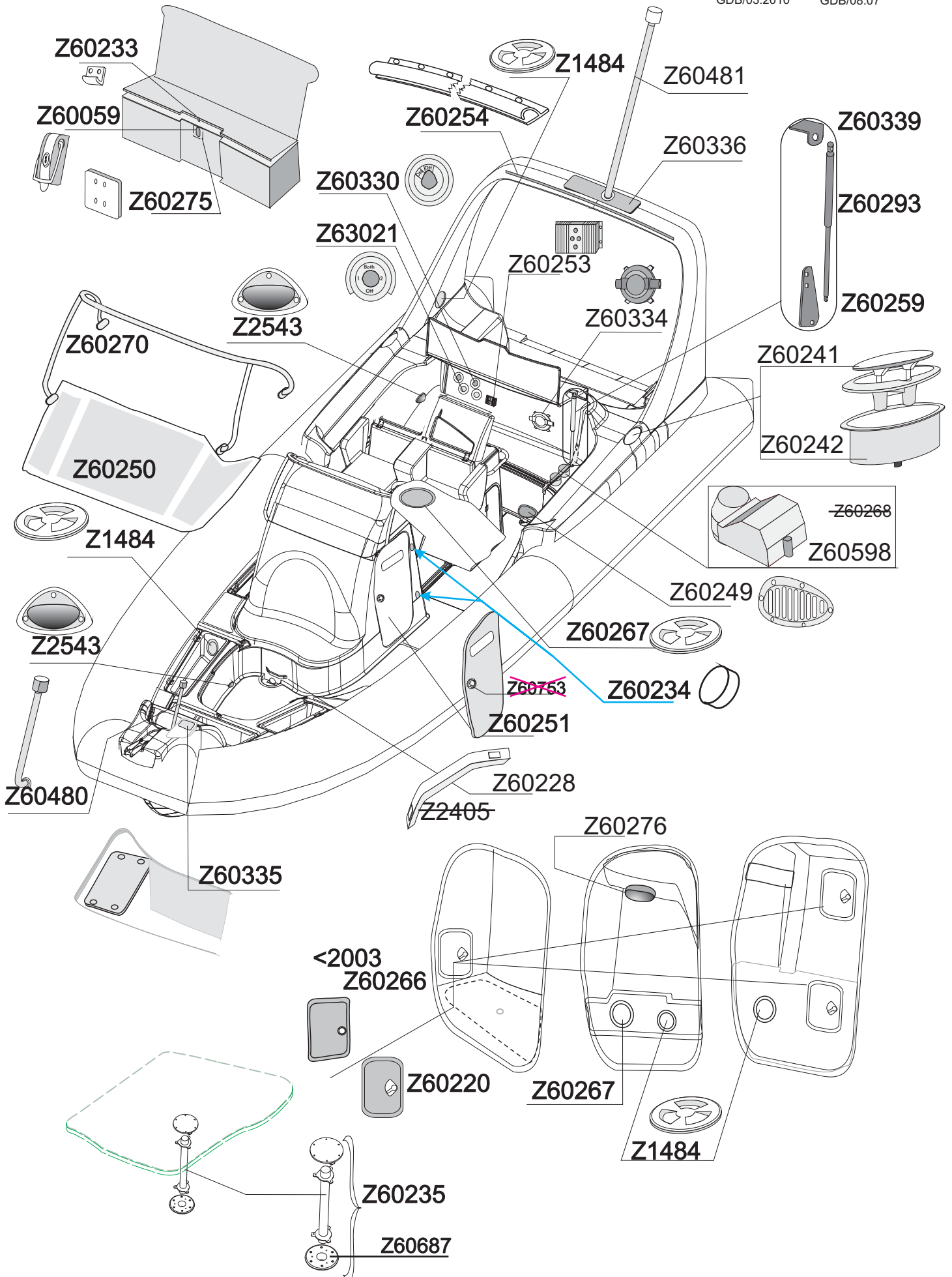
2002-2006

Z14332 -Z14339

Z14344 -

GDB/03.2010

GDB/08.07



MEDLINE III

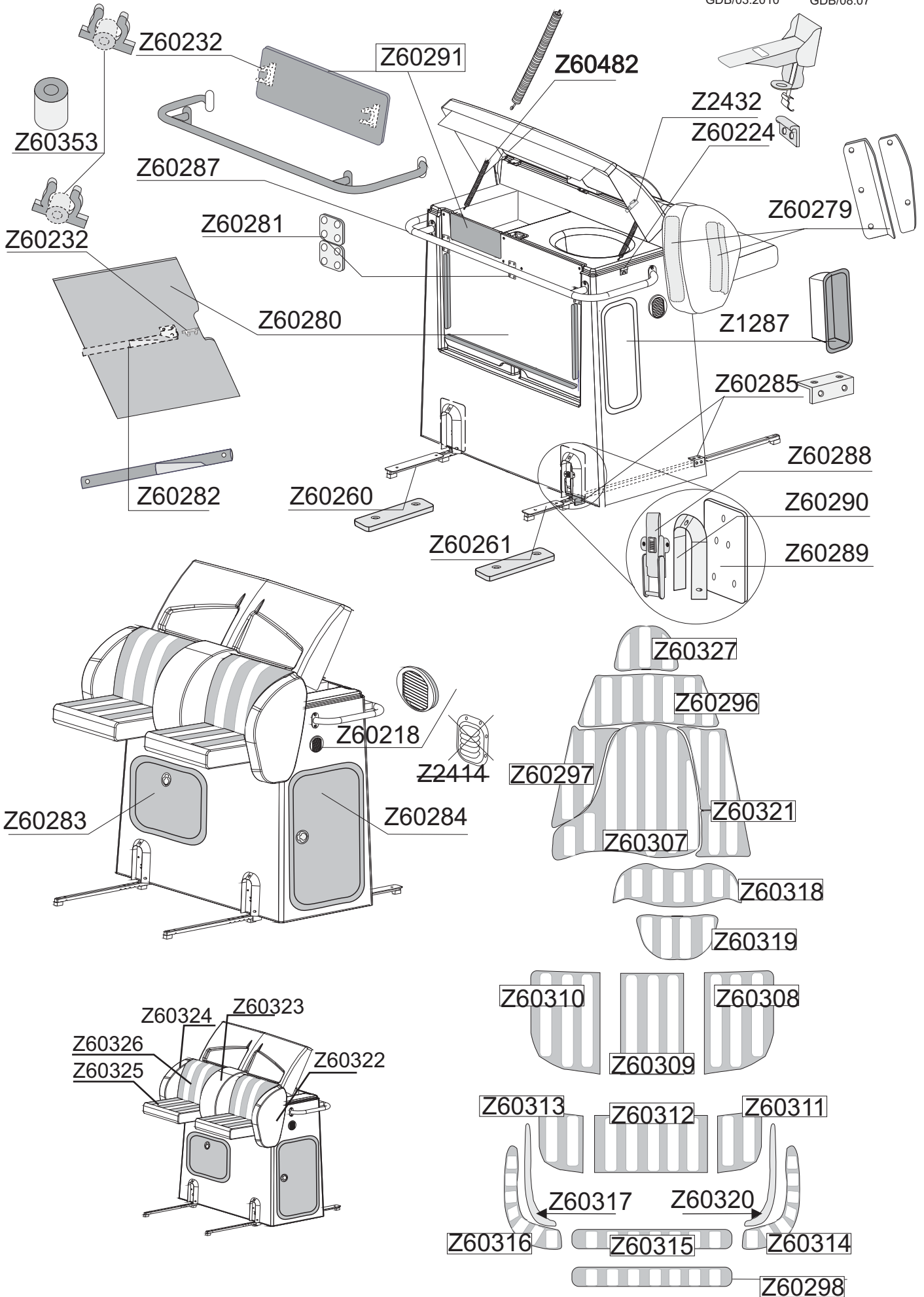
2002-2006

Z14332 -Z14339

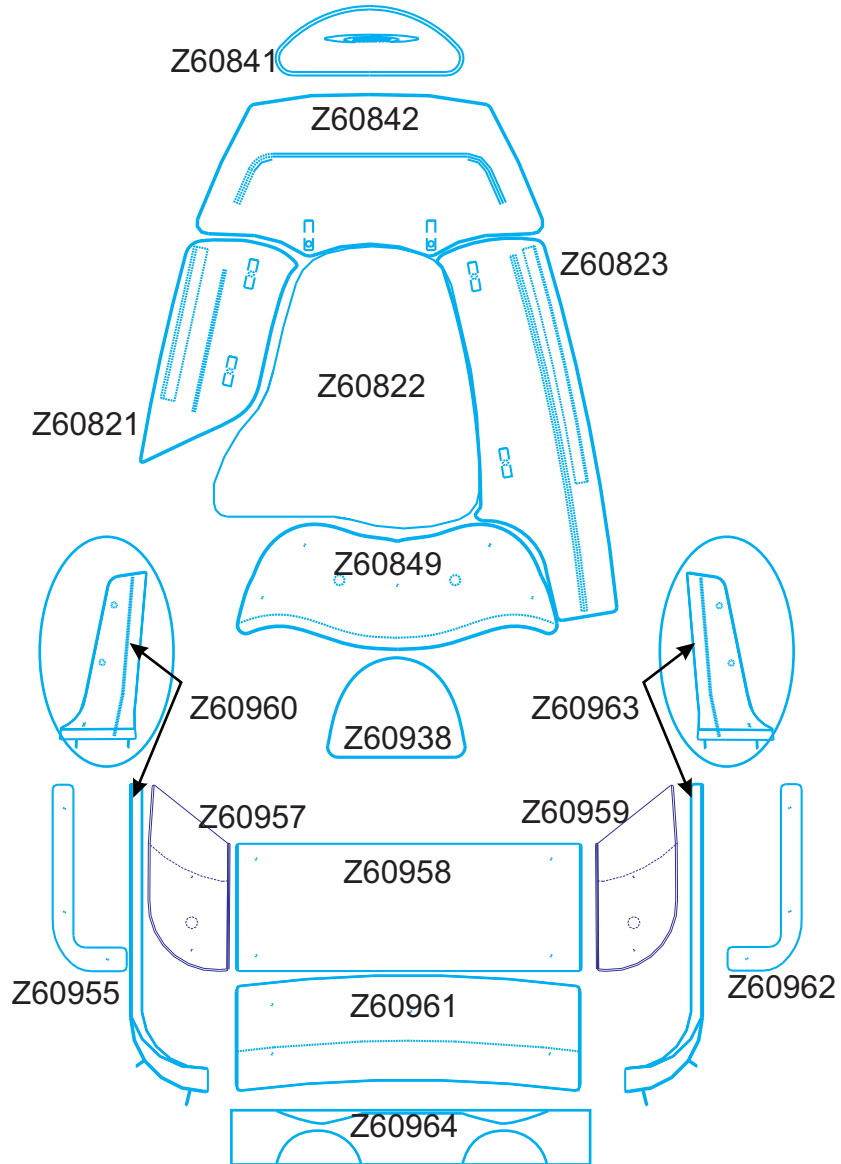
Z14344 -

GDB/03.2010

GDB/08.07



SPARE PART upholstery MEDLINE III 2007 MODEL
COUSSINS MEDLINE III 2007



2007

