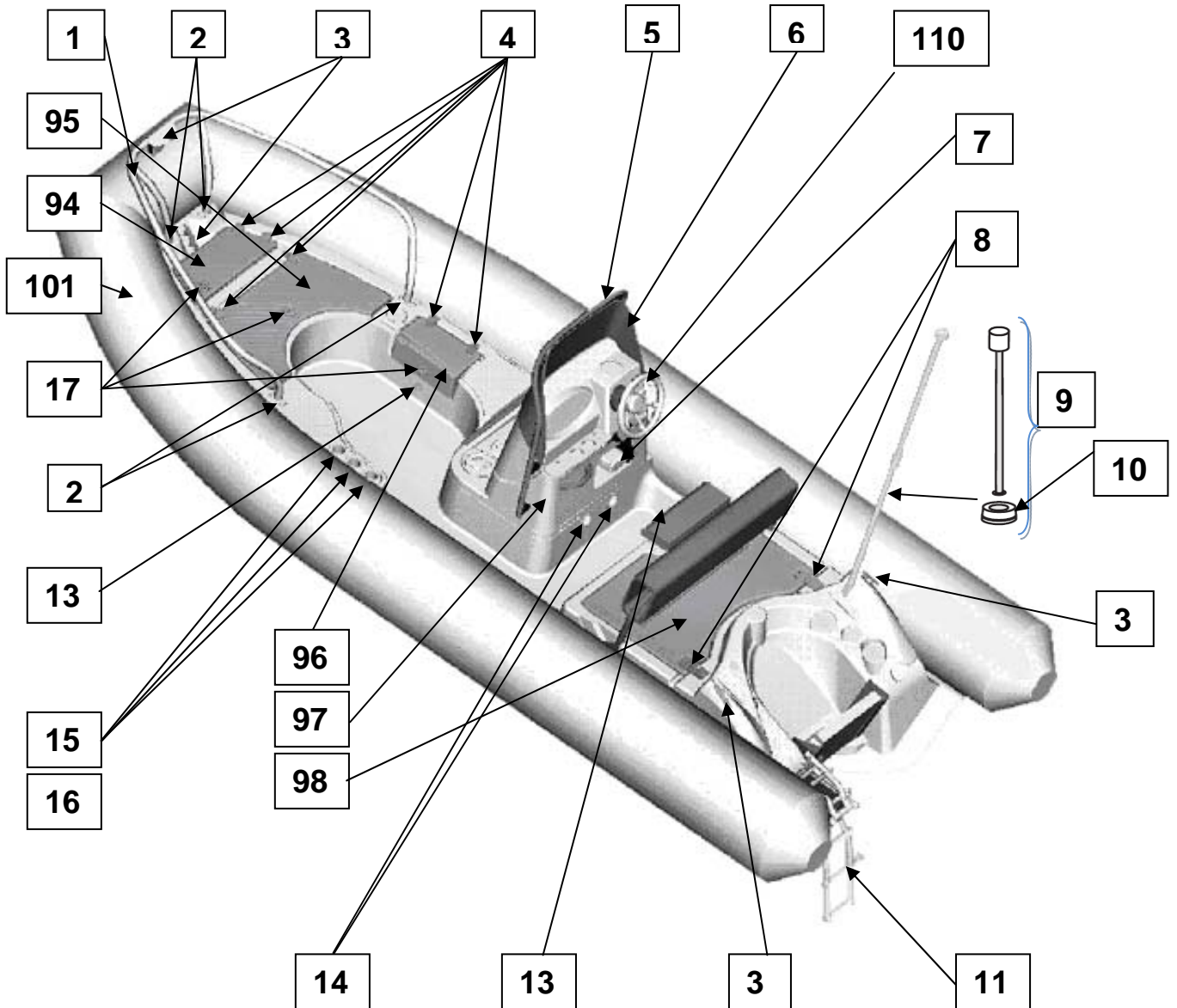




YL 530 DL 2005 – 2007

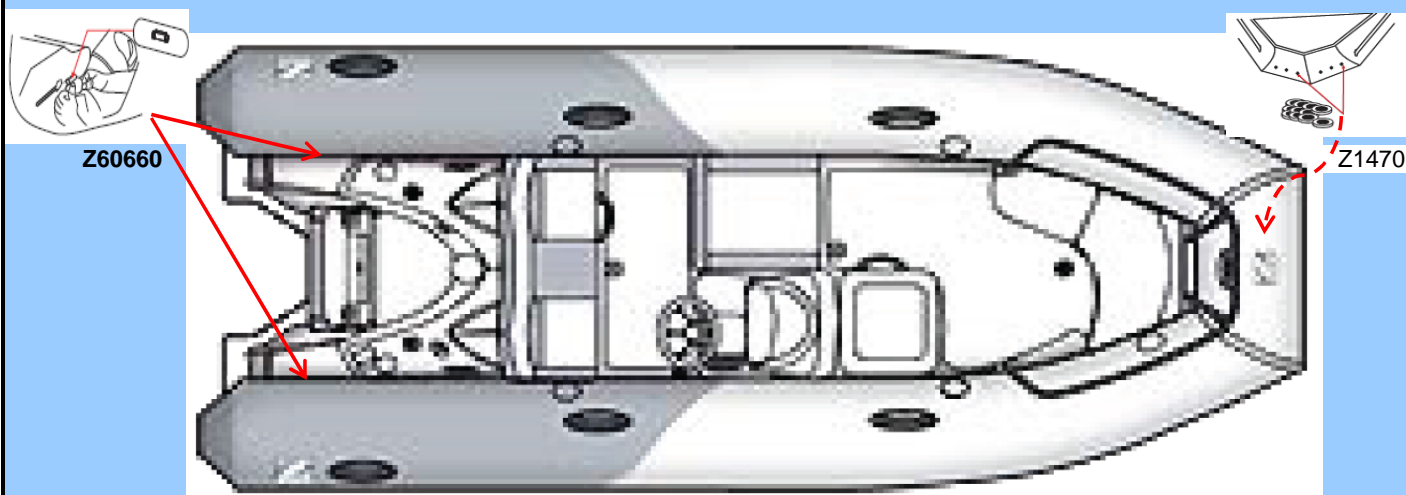




YL 530 DL 2005

01/04/2009

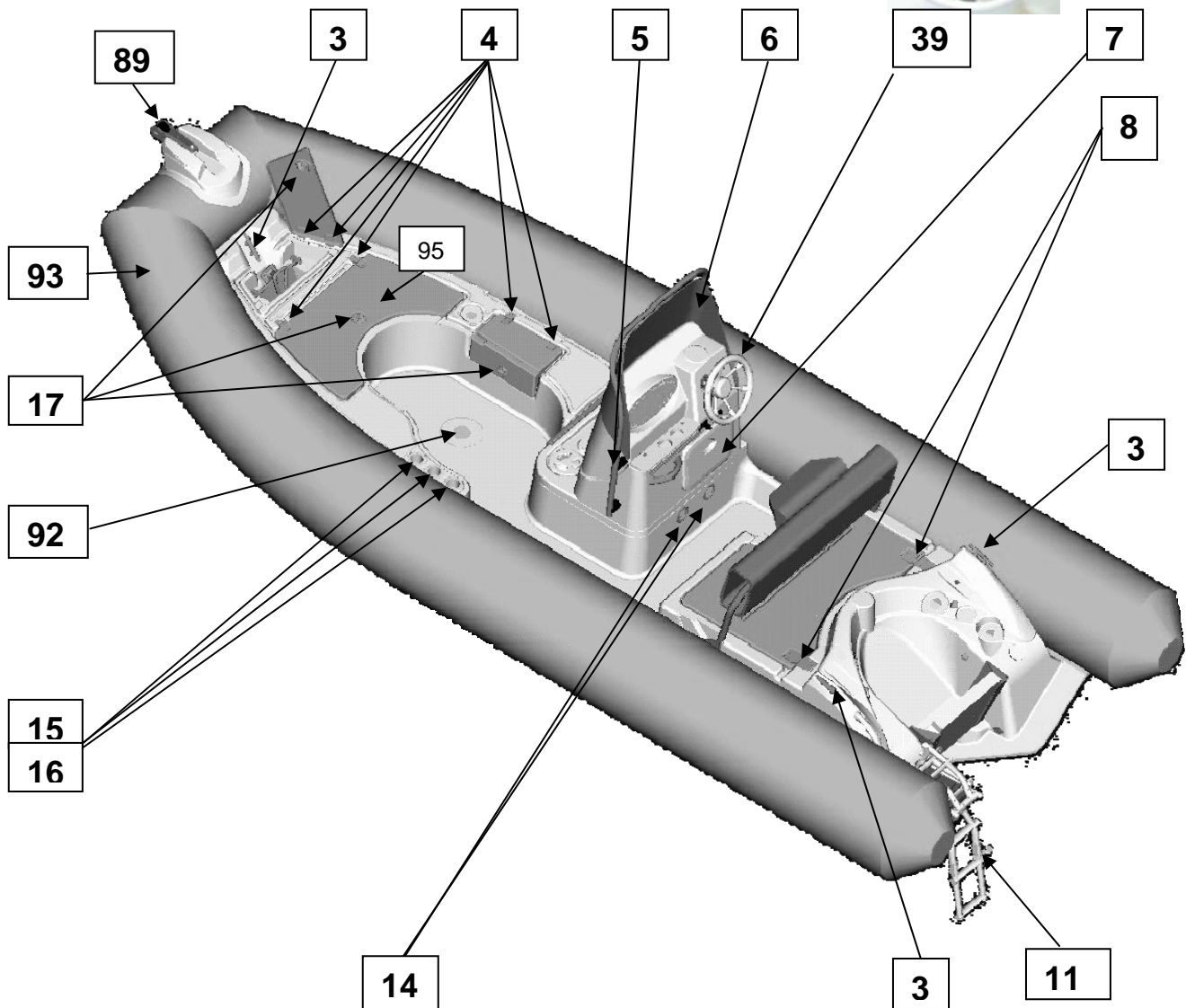
Page	Rep.	Code	Qte/Bat	Description FR	Description GDB	
		<b>MODEL.</b>	<b>Z11341</b>	<b>YL 530 DL BLANC 2005</b>	<b>PVC</b>	
1/10	<b>101</b>	<b>Z16033</b>		<b>\$FLT. YL 530 DL BLANC/GR.CL</b>	TUBE YL 530 DL WHITE /GREY	
1/10		Z7197	ML	T/BLANC AX/YL	WHITE REPAIR FABRIC	
1/10		Z2367	ML	T/CRPS 1100DTX GRIS CLAIR	LIGHT GREY FABRIC 1100DTX	
1/10		Z6730		V/REP.BATEAUX	BOATS REPAIR KIT	
1/10		Z60798		PALETTE TISSU STG P/REPAR.06	COLOURED FAB.PVC 06 F/REPAIR	
1/10		Z60660	PVC	ATTACHE COQUE SIMPLE T/GR-CL 2	FIX.PATCH RIB TUBE/L.GR (2)	
		<b>MODEL.</b>	<b>Z11363</b>	<b>KIT YL 530 DELUXE BLC SHARC</b>	<b>SHARC</b>	
1/10	<b>101</b>	<b>Z16064</b>		<b>\$FLT YL 530 DL SHARC &gt;08</b>	TUBE YL 530 DL SHARC >08	
1/10		Z60855		T/SHARC BLC 1200 MAT (ML)	WHITE SHARC FAB. 1200 PM	
1/10		Z60856		T/SHARC GR.CL 1200 MAT (ML)	LIGHT GREY SHARC FAB. 1200 PM	
1/10		Z6730		V/REP.BATEAUX	BOATS REPAIR KIT	
1/10		Z60798		PALETTE TISSU SHARC P/REP.	COLOURED SHARC FABRIC F/REPAIR	
1/10		Z60660		ATTACHE COQUE T/GR-CL 2	FIX.PATCH RIB TUBE/L.GR (2)	
		<b>MODEL.</b>	<b>Z11345</b>	<b>KIT YL 530 DL NEO BLC</b>	<b>NEO</b>	
		<b>Z16031</b>		FLT. 530 DL NEO	TUBE 530 DL NEO	
		Z67130		T/NEO 1100 BLANC OSLO (M)	FABRIC OSLO WHITE NEO 1100 P/M	
		Z67131		T/NEO 1100 GRIS MENPHIS (M)	FABRIC MENPHIS GR.NEO 1100 (M)	
		Z60860		V/REP NEO GR.BLC 06	NEOPRENE GR.WH REPAIR SET 06	
<b>09</b>		Z65216	<b>NEW</b>	PATCH -N GO KIT RECHANGE (5)	PATCH -N GO KIT RECHANGE (5)	
		<b>EQUIPMENT FLOTTEUR -- BUOYANCY TUBE EQUIPMENT</b>				
		Z60992		PG LAT SOFT ZODIAC GR.CL	CARRY HAND SOFT ZODIAC L-GR	
		Z67094		DEF165 GC/GC/BC/GZ/BC/GC 14,2M	RUBSTRAKE165 L.GR.WH.Z.GR.14M2	
<b>09</b>		Z67093		EMBOUT DE DEFENSE GC (KIT D+G)	PTT RUBSTRAKE L.GR(1XSET L+R)	
		Z60216		BOUCHON VIS VALVE ENC.GR(5)	CAP THREAD RECES.VALVE GR(5)	
		Z60217		CORPS VALVE ENCASTREE 2002 (5)	BODY/SCREW.RECES.VALVE GR(5)	
		Z6851		JT BOUCHON V.E. (25)	GASKET/CAP RECESSED VALVE (25)	
		Z6852		JT ECROU V.E.(10)	GASKET/SCREW RECES.VALVE (10)	
		Z60055		SUPPORT CLAP. VALVE ENC.02(10)	RECESSED VALVE INSERT 2002(10)	
		Z60020		LOGO "Z" 02 PM BLANC-GRIS (1)	LOGO "Z" 02 SMALL WHITE GREY 1	
		Z60021		LOGO "Z" 02 GM BLANC-GRIS (1)	LOGO "Z" 02 LARGE WHITE GREY 1	
		Z60660		ATTACHE COQUE T/GR-CL 2	FIX.PATCH RIB TUBE/L.GR (2)	
		Z1470		ROND.FIXAT.BAVETTE SR 12	WASHER ATTAC.INNER FLAP	



		<b>EQUIPMENT STANDARD</b>	<b>STANDART EQUIPMENT</b>	
<b>1</b>	<b>50</b>	Z60978	1	GONFLEUR BRAVO 8
<b>1</b>	<b>51</b>	Z60811		TUYAU GONFLEUR ANNELE 1M70-08
<b>1</b>	<b>52</b>	Z67068		RACCORD CL16 STANDARD
<b>1</b>	<b>53</b>	Z2969		PAGAIE NOIRE TEL.1M20 (2)
<b>1</b>	<b>54</b>	Z60869	1	MAN.PROP. YL 530 DL ED1
<b>1</b>	<b>55</b>	Z3018	1	MAN.PROP T1 GENERALITES
<b>1</b>	<b>56</b>	Z60054		BOUCHON INDIC.PRESS.VIS VE 02
				BELLOWS-BRAVO 8 COMPLETE (1)
				INFLATABLE HOSE/08 FOOT PUMP
				COUPLING CL16 STANDARD
				TELESCOPIC PADDLE BLK 1M20 (2)
				OWNER'S MANUAL YL 530 DL ED1
				OWNER'S MAN 1 GENERALITIES
				SCREW CAP PRESSURE GAUGE 02



MEDLINE 2C 2005 – 2007

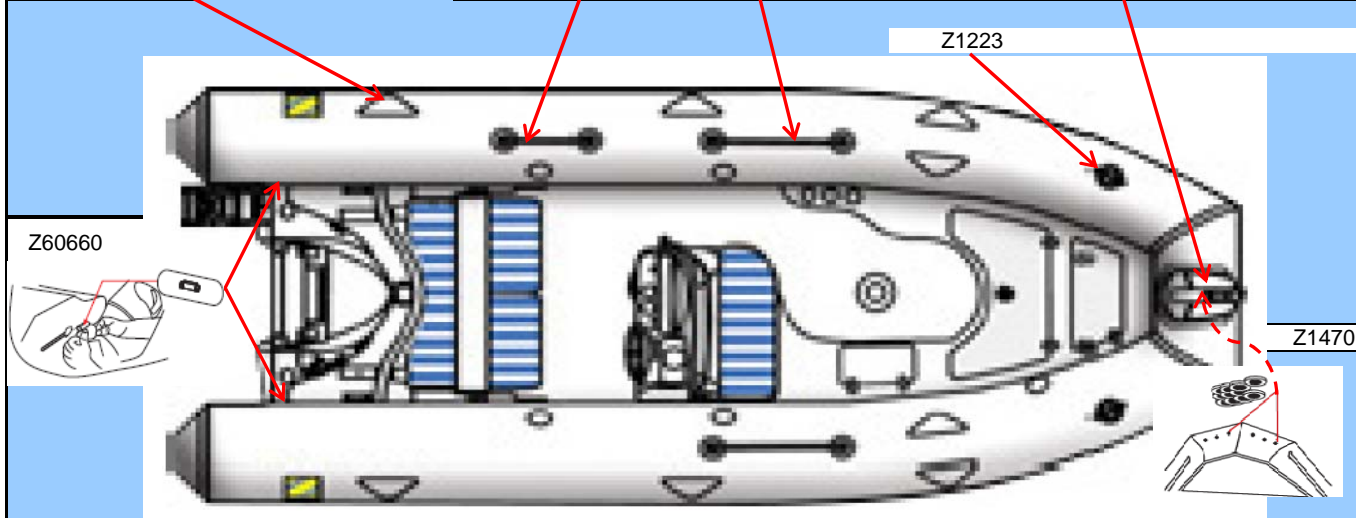




MEDLINE II C 2005

01/04/2009


Page	Rep.	Code	Qte/Bat	Description FR	Description GDB	
		<b>MODEL</b>	<b>Z14335/Z14345/Z14352</b>			
1/10	<b>93</b>	Z16034		<b>FLT MEDL.2C GR-C Z14335</b>	<b>PVC</b>	
1/10		Z2367	ML	T/CRPS 1100DTX GRIS CLAIR	TUBE SET MEDLINE 2C GR-LIGHT	
1/10		Z6730	ML	V/REP.BATEAUX	LIGHT GREY FABRIC 1100DTX	
1/10		Z60798		PALETTE TISSU STG P/REPAR.06	BOATS REPAIR KIT	
1/10		Z60660		ATTACHE COQUE SIMPLE T/GR-CL 2	FIX.PATCH RIB TUBE/L.GR (2)	
		<b>MODEL</b>	<b>Z14361 MEDLINE II C 2009</b>		<b>PVC</b>	
1/10	<b>93</b>	Z16072		FLT MEDLINE IIC 2009	TUBE MEDLINE IIC 2009	
1/10		Z7197		T/BLANC AX/YL	WHITE REPAIR FABRIC	
1/10		Z7084		T/STG GRIS ZODIAC (PM)	STRONGAN GREY REPAIR FAB.(PM)	
1/10		Z60992	8	PG LAT SOFT ZODIAC GR.CL	CARRY HAND SOFT ZODIAC L-GR	
1/10		ZR13245		DEF165 GF/GF/BC/CA/BC/GF 12,6M	on order/à commander	
1/10		ZR13247		EMBOUT DE DEFENSE GAUCHE GF	on order/à commander	
1/10		ZR13250		EMBOUT DE DEFENSE DROIT GF	on order/à commander	
		<b>EQUIPMENT FLOTTEUR -- BUOYANCY TUBE EQUIPMENT</b>				
		Z60216		BOUCHON VIS VALVE ENC.GR(5)	CAP THREAD RECES.VALVE GR(5)	
		Z60217		CORPS VALVE ENCASTREE 2002 (5)	BODY/SCREW.RECES.VALVE GR(5)	
		Z6851		JT BOUCHON V.E. (25)	GASKET/CAP RECESSED VALVE (25)	
		Z6852		JT ECROU V.E.(10)	GASKET/SCREW RECES.VALVE (10)	
		Z60055		SUPPORT CLAP. VALVE ENC.02(10)	RECESSED VALVE INSERT 2002(10)	
		Z60019		LOGO "Z" 02 GM BLEU JAUNE (1)	LOGO "Z" 02 LARGE BLUE YELL(1)	
< 2006		Z2378		DEF.GR 2BO/BC/2B0 12,6M (2005)	RUB STRAKE BL/WH/BL L12M60	
2009		Z60819		DEF 165 BO/BO/BC/BO/BC/BO 17M	RUB STRAKE 165 BL/WH MED 17M	
2009		Z67168		EMBOUT DE DEFENSE BLEU O/M KIT	PTT RUBSTRAKE NAVY BLU (SET)	
		Z2110/Z2120		Poignée supprimée voir / see z60992	dilated see z60992	
2008		Z60992	8	PG LAT SOFT ZODIAC GR.CL	CARRY HAND SOFT ZODIAC L-GR	
	<b>89</b>	Z60566		DAVIER REPLIABLE COMPLET MD2C	ANCHOR ROPE GUIDE ASSY MD2C-2	
	<b>89</b>	Z60834		DAVIER REP.INOX MED2C /20 MAN	ANCHOR S/S ROPE GUIDE	
		Z1223		TAQUET PLASTIQUE/TIS.G.CL 2KIT	CLEAT/INSERT L.GREY (2)	
		Z1336		M/COURANTE INOX 400 KIT 2	H.RAIL SET 400/INSERT (2)	
		Z1338		M/COURANTE INOX 650MM KIT (2)	H.RAIL SET L.650/INSERT (2)	
		Z6632		PLOT 2 INSERTS D6MM GR.CL(1)	PATCH 2 INSERT L.GR FAB (1)	
		Z60660		ATTACHE COQUE SIMPLE T/GR-CL 2	FIX.PATCH RIB TUBE/L.GR (2)	
		Z1470		ROND.FIXAT.BAVETTE SR 12	WASHER ATTAC INNER FLAP	
		-Z2440/Z2420- Z60992		Z1336 Long:400	Z60566 (rep-89)	
				Z1338 Long:650	Z60834 (rep-89)	

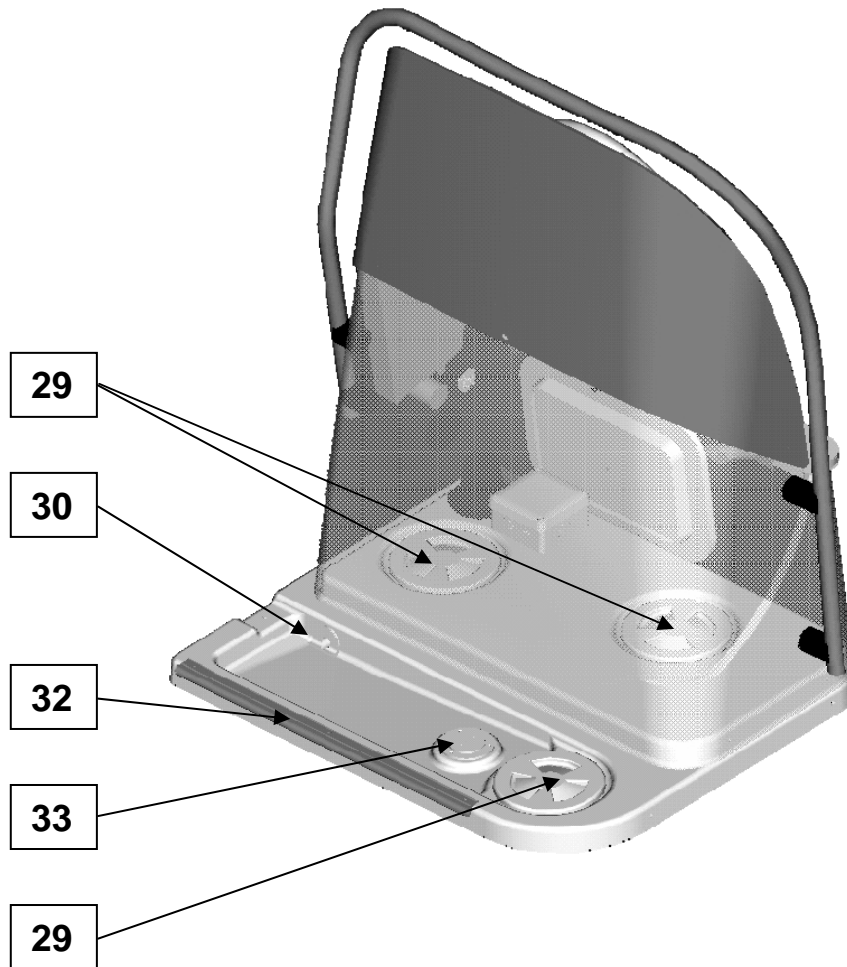
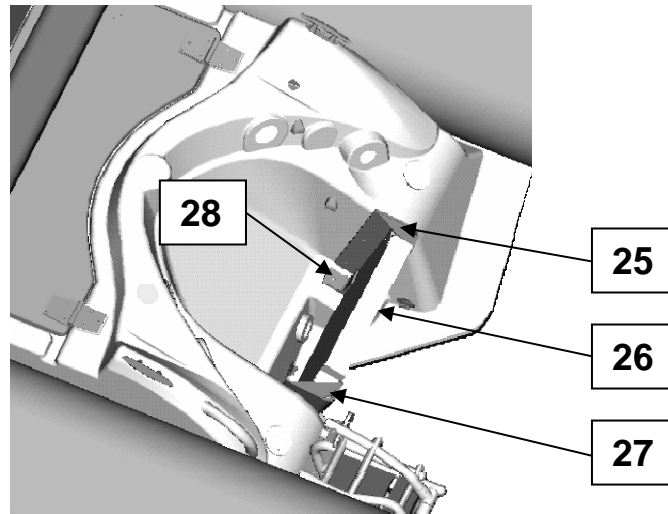


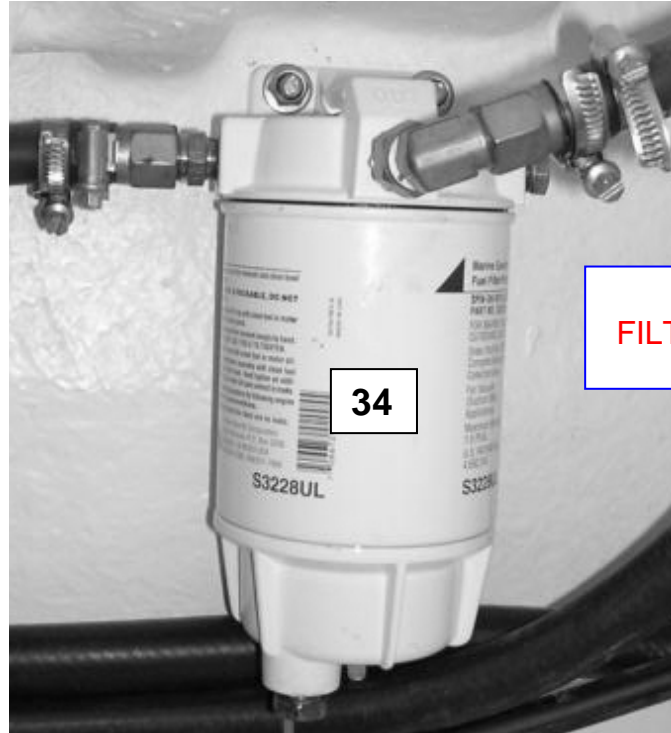
		<b>EQUIPMENT STANDARD</b>	<b>STANDART EQUIPMENT</b>		
1	<b>50</b>	Z60978	1	GONFLEUR BRAVO 8	BELLOWS-BRAVO 8 COMPLETE (1)
1	<b>51</b>	Z60811	1	TUYAU GONFLEUR ANNELE 1M70-08	INFLATABLE HOSE/08 FOOT PUMP
1	<b>52</b>	Z67068		RACCORD CL16 STANDARD	COUPLING CL16 STANDARD
1	<b>53</b>	Z2969		PAGAIE NOIRE TEL.1M20 (2)	TELESCOPIC PADDLE BLK 1M20 (2)
1	<b>54</b>	Z60870	1	MAN.PROP. MED 2C ED4	OWNER'S MANUAL MED 2C ED4
1	<b>55</b>	Z3018	1	MAN.PROP T1 GENERALITES	OWNER'S MAN 1 GENERALTIES
1	<b>56</b>	Z60054		BOUCHON INDIC.PRESS.VIS VE 02	SCREW CAP PRESSURE GAUGE 02



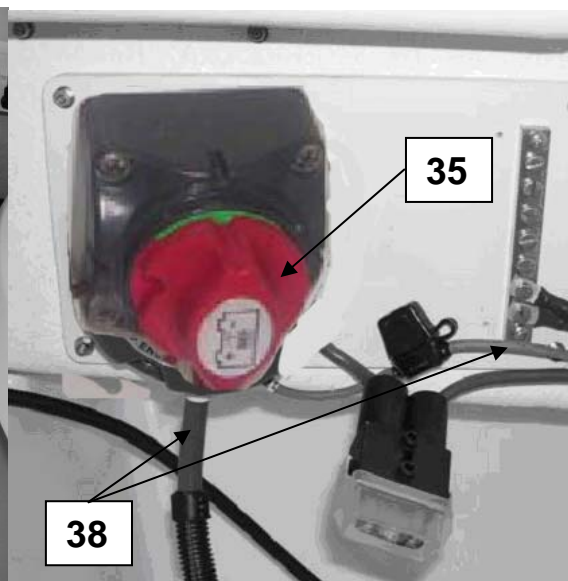
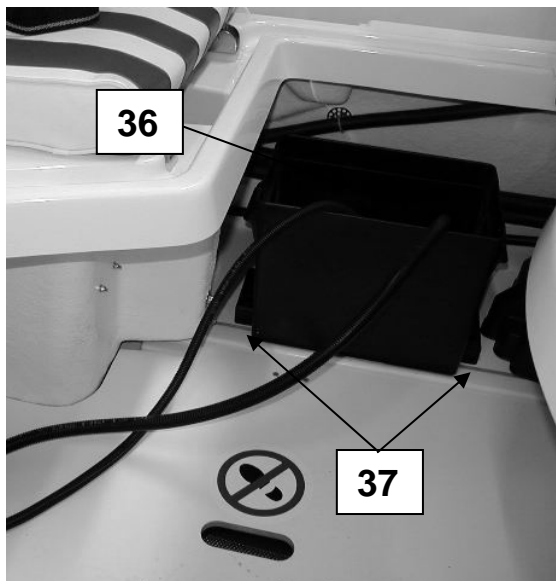
				604255D YL 530 DL 2005 =>2009 MEDII C 2005 =>2007		CODE YL 530 DL	Code MEDII C 530	pièces communes common parts
Dessin-Drawing PAGE & REP.	Description FR	Description GB	QTY					
1	1	BALCON YL 530 DL INOX	BOW RAIL YL 530 DL SS	1	Z60620			
1	2	COIFFE+RONDELLE REF.06 38	SCREW WASHER AND CAP (10)	8	Z60204			
1	3	TAQUET PLAT L153 V20MM INOX	CLAM CLEAT L153 SS	4	Z60200		X	
1	4	CHARNIERE ROCA RF.441490	HINGE/PILOT SEAT MED1 (2)	6	Z3914		X	
1	5	MAIN COURANTE MEDL 2C CONS.	SAFETY RAIL MEDL 2C CONS.	1	Z60617		X	
1	6	PARE-BRISE CONSOLE MEDL 2C	WIND SCREEN MEDL 2C CONSOLE	1	Z60618		X	
1	7	TRAPPE 270x375	HATCH 270 X 375	1	Z60220		X	
1	8	CHARNIERE COFFRE AR MED3 (2)	HINGE AFT LOCKER MED3 (2)	2	Z60229		X	
1	9	FEU BLC + MAT L1300 D18	LIGHT + MAST ASSY L1300 18°	1	Z60622			
1	10	EMBASE MAT-FEU YL 530 DL	SUPPORT/LIGHT MAST YL 530 DL	1	Z60621			
1	11	ECHELLE DE BAIN MED 2C	SWIM LADDER SET MEDL2C/530 DL	1	Z61136		X	
6	12	BOUCHON BOITIER BLANC (2)	CAP F/SWITCH BOX WHITE (2)	6		Z60663		
1	13	FEU DE COURTOISIE DELUXE	COURTESY LIGHT DE LUXE RIB	2	Z2543			
1-2-7	14	GRILLE DE VENTILLATION D 70MM	VENT GRILL D70MM	6	Z60218		X	
1-2	15	PORTE GOBELET (1)	DRINK HOLDER (1)	3	Z2128		X	
1-2	16	BOUCHON REPOSE CANETTE	CAP F/GLASS SUPPORT (10)	3	Z6631		X	
1-2	17	FERMOIR 1/4 TOUR INOX	06 LATCH LOCKER SS 1/4 TURN	3	Z60713		X	
3	18	CADENE ARTICULEE DIAM.8	LIFTING POINT YL600 (2)	4	Z1967			
3	19	RESERVOIR PE 530DL/MEDL2C KIT	FUEL TANK REP.SET 530DL/MEDL2C	1	Z60642		X	
3		JAUGE ESS.480-530DL/MED1-2C	FUEL SENDER 480-530DL/MED1-2C	1	Z60166			
3	20	EQUERRE FIX/RESERVOIR MED 2C(1)	FUEL TANK FIXING MEDL 2C (1)	1	Z60637		X	
3	21	EQUERRE/RESERV.480DL/MEDL2C(1)	FUEL TANK FIX.480DL/MEDL2C(1)	3	Z60638		X	
3	22	EVENT NYLON RIB	FUEL TANK VENT RIB / NYL	1	Z1420		X	
3	23	PASSE COQUE V/COK "GOBELET"	BUNG WATER FLOW EXHAUST	1	Z60231		X	
3	24	PG CONSOLE BLANCHE	PG CONSOLE BLANCHE	1	Z60228		X	
4	25	EQUERRE FIX/TAB T 328X130 INOX	BRACKET FITTING ST'BRD M2C SS	1	Z60640		X	
4	26	TABEAU ARR MED2C PE	BRACKET MEDL2C/530 DL PE	1	Z60579		X	
4	27	EQUERRE TABL.BABORD MDL2C INOX	BRACKET FITTING -PORT- M2C SS	1	Z60639		X	
4	28	EQUERRE FIX.BAS TABL MDL2C INO	CORNER PLATE BRAC./LOW MDL2C S	2	Z60641		X	
4	29	TRAPPE DE VISITE D130 BLC	INSPECTION PLATE D130 WHI	4	Z1484		X	
4	30	TROP PLEIN ESSENCE	GASOLINE OVER FLOW	1	Z1450		X	
4	32	PROFILE SELLERIE LG600ALU	ALUM.RAIL F/CUSHION L600	1	Z1486		X	
4	33	BOUCHON ESSENCE MEDLINE 2 C	GAS FILLER CAP MEDL 2C	1	Z60645		X	
5	34	FILTRE A ESSENCE 1/4 <150 HP	FUEL FILTER 1/4 <150 HP	1	Z60908		X	
5	35	COUPE BATTERIE	CIRCUIT BREAKER	1	Z60330		X	
5	36	SUPPORT BATTERIE	BATTERY SUPPORT	1	Z60294		X	
5	37	GUIDE QUILLE PLANCHER(10)	KEEL GUIDE/ FLBD (10)	2	Z6469		X	
5	38	FAISCEAU ELEC. BATEAU < 6,5M	WIRING HARNESS MODEL < 6,5M	1	Z67171		X	
2	39	VOLANT 3 BRANCHES BLC SEAWIND	STEERING WHEEL WHITE 3 STICK	1	Z60920			
6	40	ENJOLIVEUR + SUPPORT X34	SUPPORT X34F/STREERING WHEEL	1	Z2582		X	
6	41	BOITIER T71 FC	STEERING BOX T71 FC	1	Z61062		X	
6	42	CABLE M66 11 PIEDS	CABLE M66 11 FEET	1	Z61067		X	
6	43	INTERRUPTEUR FEU NAVIGATION	SWITCH F/NAV LIGHT	1	Z9400			
6	44	INTERRUPTEUR FEU INTERIEUR	SWITCH. INTERIOR LIGHT	1	Z9401			
6	45	INTERRUPTEUR POMPE DE CALE	SWITCH. BILGE PUMP	1	Z9402			
6	46	BOUCHON BOITIER (2) NOIR	CAP F/ SWITCH BOX BLK(2)	4	Z9407			
6	47	PLATINE 7 INTERRUPTEURS NOIR	BACK PLATE 7 SWITCHES BLK	1	Z60665			
6	48	PRISE ALLUME CIGARE CONSOLE DL	CIGAR LIGHTER SOCKET RIB CONS.	1	Z60252		X	
6	49	RALLONGE ALLUME GIGARE L 500	WIRING HARNESS L500/CIGAR LIGH.	1	Z60526		X	
6	50	PASSE CLOISON 340/380DL 03	THRU BULKHEAD 340/380DL 03	1	Z60195		X	
6	51	MANCHE PASSE CABLE NOIR	RIGGING BOOT	1	Z60212		X	
	52							
6	53	BOITE PLEXO 100X100 MED 2C	BOX 100X100 MEDL2C PLEXO	1	Z60715		X	
6	54	FACADE VIDE POCHE MEDLINE 2C	FRONT TRAY PANEL MEDL2C	1	Z60716		X	
6	55	DESSUS VIDE POCHE MEDLINE 2C	STORAGE TRAY MEDL2C	1	Z60717		X	
6	56	CHARNIERE PORTE INOX+VISS (2)	HINGE SS/SCREW (2)	2	Z60319		X	
6	57	PANNEAU COMPTEUR+JOINT MEDL2C	DISPLAY PANEL+SEAM MEDL2C	1	Z60718		X	
		JOINT PANNEAU COMPTEUR	JOINT PANEL COMPTEUR	1			X	
8	58	PASSE COQUE D30 D46 L102 BLC	THRU HULL D30 D46 L102 WHITE	1	Z67170		X	
7	59	POMPE DE CALE S500-05	BILGENPUMPE DL 2005	1	Z2320		X	
	60	PONTET PLASTIQUE (2)	PLASTIC LOOP (2) F/STRAP	2	Z60443		X	
7	61	LOQUET PLAST-LYRE- NOIR (2)	PLASTIC LOOP (2) F/STRAP	2	Z60232		X	
7	62	RECEPTEUR LYRE (2)	CLIP RECEPTOR (2)	2	Z60353		X	
7	63	PROTECTION SORTIE CABLE GM	PROTECTION HOSE F/CABLE LM	1	Z60510		X	
7	64	SOUFFLET PASSE CABLE D74	SHIFT CABLE BELLOW DIAM.75	1	Z60194		X	
7	57	NABLE A VIS NO. MANCHON (1)KIT	DRAIN PLUG BLK SCREWED SET(1)	3	Z2154		X	
		BOUCHON NABLE (2)	DRAIN PLUG BLACK RIB HULL(2)		V00420			
7	66	VIDE VITE GROS DEBIT RIB 03	HIGH VOLUME WATER DRAIN 03	1	Z60359		X	
7	67	PASSE-COQUE 90° 19MM+ECROUS	90DEG THRU HULL FITTING 19MM	1	Z60374		X	
8	68	SUPPORT BOUCHON VV SR 03	TIE DOWN SELF BAILER CAP SR 03	1	Z60525		X	
8		JOINT VDV GROS DEBIT-EXT-(4)	GASKET H.VOLUME WAT.DRAIN (4)	1	Z60682			
8	69	BOUCHON VIDE VITE S.RIGIDE	RIB SELF BAILER CAP/LEVER TYPE	1	Z60375			
8	70	APPUI PIED SIEGE PILOTE PLAST	BLOCK SEAT SUPPORT PLASTIQUE	1	Z60683		X	
10	71	RAIL FIX/SELLER.AR L510 MED 2C	ALU RAIL L510 REAR/CUSH MEDL2C	1	Z60680		X	
8	72	FERMETURE+CLEF MEDL2C/MEDL2	LOCKING HASP+KEYS MED2C/2	1	Z61137		X	
8	73	SUPPORT EXTINCTEUR	EXTINGUISHER BOX	1	Z1287		X	
8	74	PLOT BUTEE DE SIEGE (2)	STOPPER FOR DOOR SEAT (2)	4	Z60234		X	
8	75	RESSORT A GAZ L275 150N	GAS STRUT L275 150N	2	Z60684		X	
8	76	EQUERRE FIXAT.HAUTE COF.ARR(1)	EQUERRE FIXAT.HAUTE COF.ARR(1)	2	Z60339		X	
9	77	CADENE ETANCHE NO.8X100 (1)	U-TYPE ATTACHMENT 8X100 1	1	Z1488		X	
9	78	ECROU A OEIL DIAM 8 INOX	LIFT.SL. EYE BOLT FOR RIB	1	Z6740		X	

				604255D YL 530 DL 2005 =>2009 MEDII C 2005 =>2007		CODE YL 530 DL	Code MEDII C 530	pièces communes common parts
Dessin-Drawing PAGE & REP.	Description FR	Description GB	QTY					
<b>sellerie YL 530 DL 2005-09 / 2005-09 cushions</b>								
9	79	COUSS. DEVANT CONSOLE DL 530	1	Z60671				
9	80	COUSS. AVANT TRIBORD YL 530	1	Z60669				
9	81	RAIL FIX/SELLERIE L700 DR YL 530	1	Z60681				
9	82	COUSS. AVANT YL 530 08	1	Z60667				
9	83	RAIL FIX/SELLERIE AV. 530 YL	1	Z60666				
9	84	SELLERIE ASSISE CONS YL 530	1	Z60670				
9	85	COUSS. SIEGE PIL+STRUCT 530DL	1	Z60674				
9	86	COUSS. COFFRE ARRIERE DL 530	1	Z60672				
9	87	COUSS. DOSS+STRUCTURE YL DL 530	1	Z60673				
9	88	COUSS. AVANT BABORD YL 530 DL	1	Z60668				
2	89	DAVIER REPLIABLE COMPLET MD2C				Z60566		
2	89	DAVIER REPLIAB, INOX MED2C/20M	1			Z60834		
9	90	ANCRE 6 KG MEDL2C				Z60685		
9	91	MECANISME MAINTIEN ANCRE (2)	2			Z60686		
2	92	EMBASE FILETEE PIED DE TABLE	1			Z60887		
2	93	<b>Flotteur MD2C - voir tableau-see list</b>					Z14345	
1	94	CAPOT BAILLE YL470_530_MD2C	1	Z60771			X	
1	95	CAPOT COFFRE AV YL530_MD2C	1	Z60814			X	
1	96	CAPOT COFFRE TRIB.YL530_MD2C	1	Z60816			X	
1	97	CONSOLE YL530_MD2C PY	1	Z60817			X	
1	98	CAPOT COFFRE ARR.YL530_MD2C	1	Z60815			X	
console	99	CADRAN-JAUGE ESSENCE-CONSOLE	1	Z1988			X	
8	100	AUTO-COLLANT SECURIT	1	Z60186			X	
1	101	<b>Flotteur YL 530 DL - voir tableau-see list</b>						
8	102	STICKER WARNING RIB F-GB (6)	1	Z60440				
6	103	POIGNEE-CONSOLE PRO OPEN INOX	1	Z60347			X	
8	106	STICKER WARNING RIB IT-ES-D(6)	1	Z60441			X	
8	107	LOGO DOME MEDLINE		Z6843				
6	108	BOITIER INTERRUPT.EXTREMITE.BLC	2	Z67173			X	
6	109	BOITIER INTERRUPT.MILIEU BLC	5	Z67174			X	
1	110	VOLANT DIRECTION BLANC	1	Z1259				
6	111	PLATINE 7 INTERRUPTEURS BLC	1			Z67172		
6	112	M/COURANTE CONSOLE YL 530	1	Z67175				
8	113	LOGO DOME DELUXE 03	1	Z60338				
6	114	INTERRUP POMPE DE CALE BC	1			Z60662		
<b>sellerie -- cushion MEDLIIC Version 2005 =&gt;</b>								
10	87	COUSS. DOSSIER+STRUCT MEDL2C	1			Z60679		
10	115	COUSS. DOSSIER CONSOLE MEDL2C	1			Z60675		
10	116	COUSS. ASSISE CONSOLE MEDL2C	1			Z60676		
10	117	COUSS. SIEGE PIL+STRUC MEDL2C	1			Z60678		
10	118	COUSS. COFFRE ARRIERE MEDL2C	1			Z60677		
<b>sellerie BDS MEDLIIC 2005 / SUNDECK cushion 2005</b>								
10		COUSS.BDS AV MEDL2C 05				Z60861		
10		COUSS.BDS BABORD MEDL2C				Z60863		
10		COUSS.BDS TRIBORD MEDL2C				Z60864		
10		COUSS. BDS TABLE MEDL1-2C				Z60066		
<b>sellerie MEDLIIC 2007 cushion</b>								
10	87	COUSS.DOSSIER ARR MEDLIIC >07	1			Z60986		
10	115	COUSS. DOSS. CONS. MEDLIIC >07	1			Z60982		
10	116	COUSS.ASSISE CONS. MEDLIIC >07	1			Z60983		
10	117	COUSS.ASSISE PILOTE MEDLIIC>07	1			Z60984		
10	118	COUSS.COFFRE ARR MEDLIIC >07	1			Z60985		
<b>sellerie BDS MEDLIIC 2007 / SUNDECK cushion</b>								
10		COUSS.BDS "AVANT" MEDLIIC >07				Z60987		
10		COUSS.BDS "BABORD" MEDLIIC >07				Z60988		
10		COUSS.BDS"TRIBORD" MEDLIIC >07				Z60989		
10		COUSS.BDS "TABLE" MEDLIIC >07				Z60990		

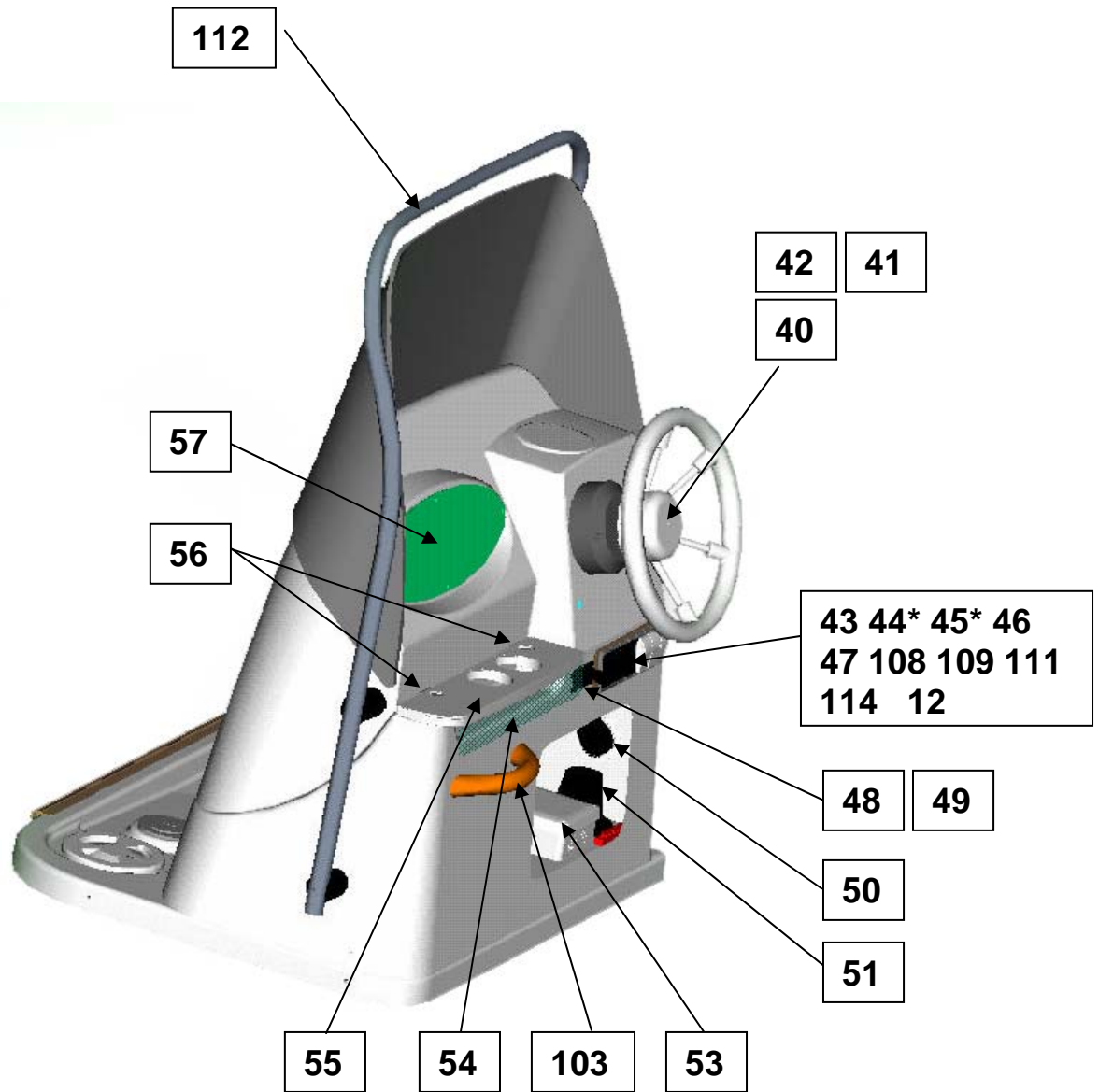




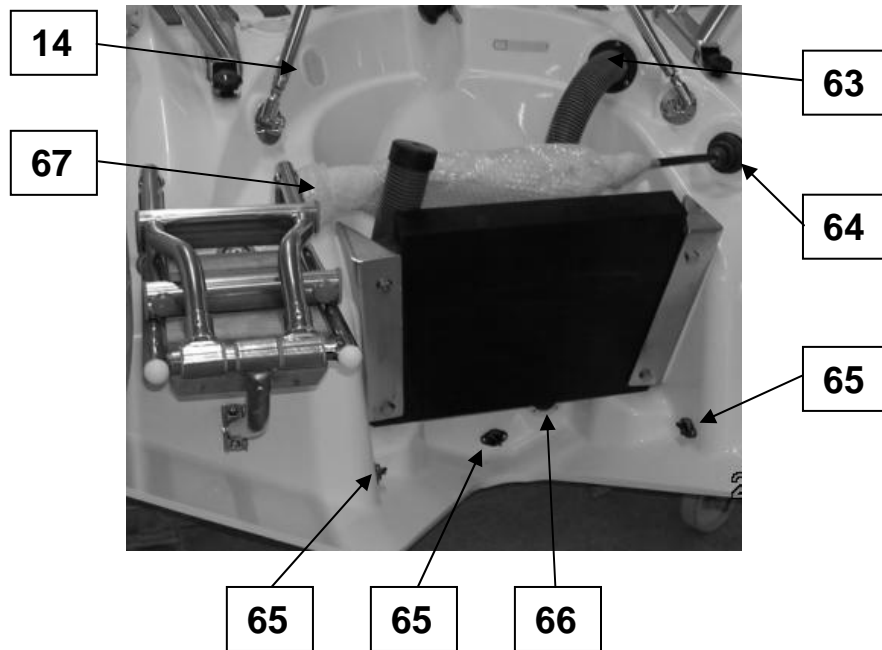
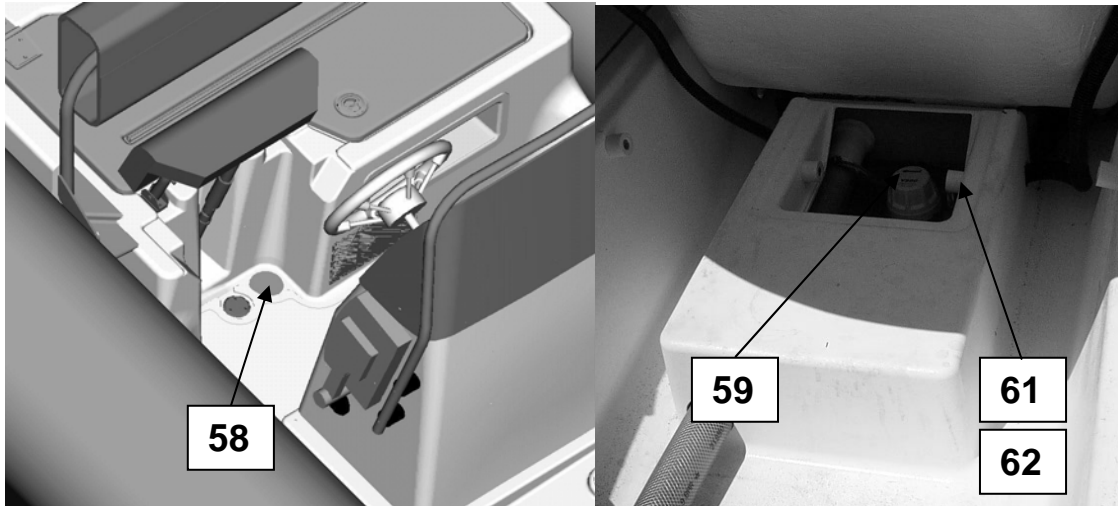
New 2007  
FILTRE -FUEL FILTER  
Z60908

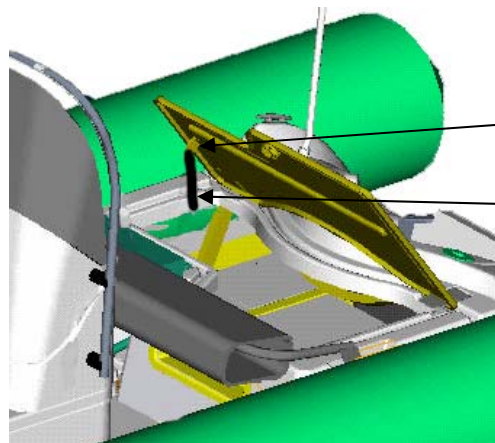
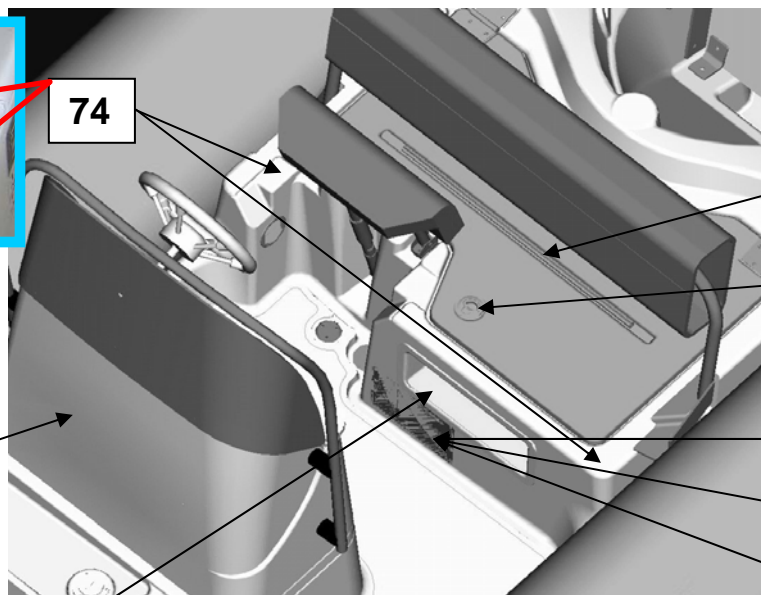
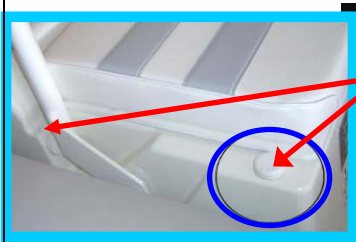
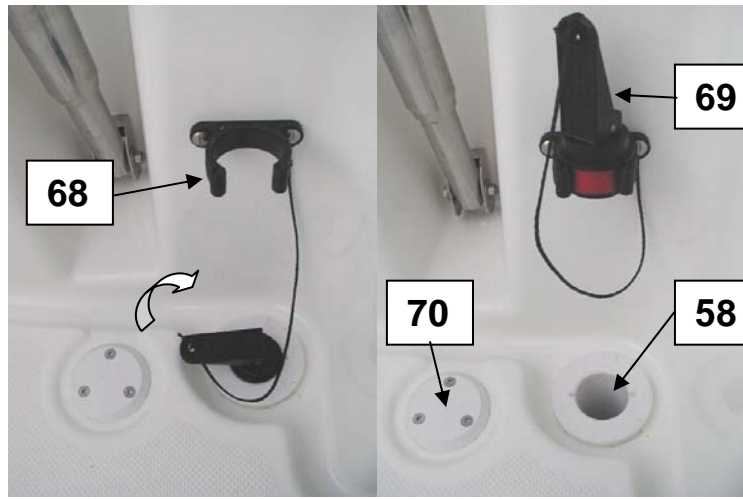


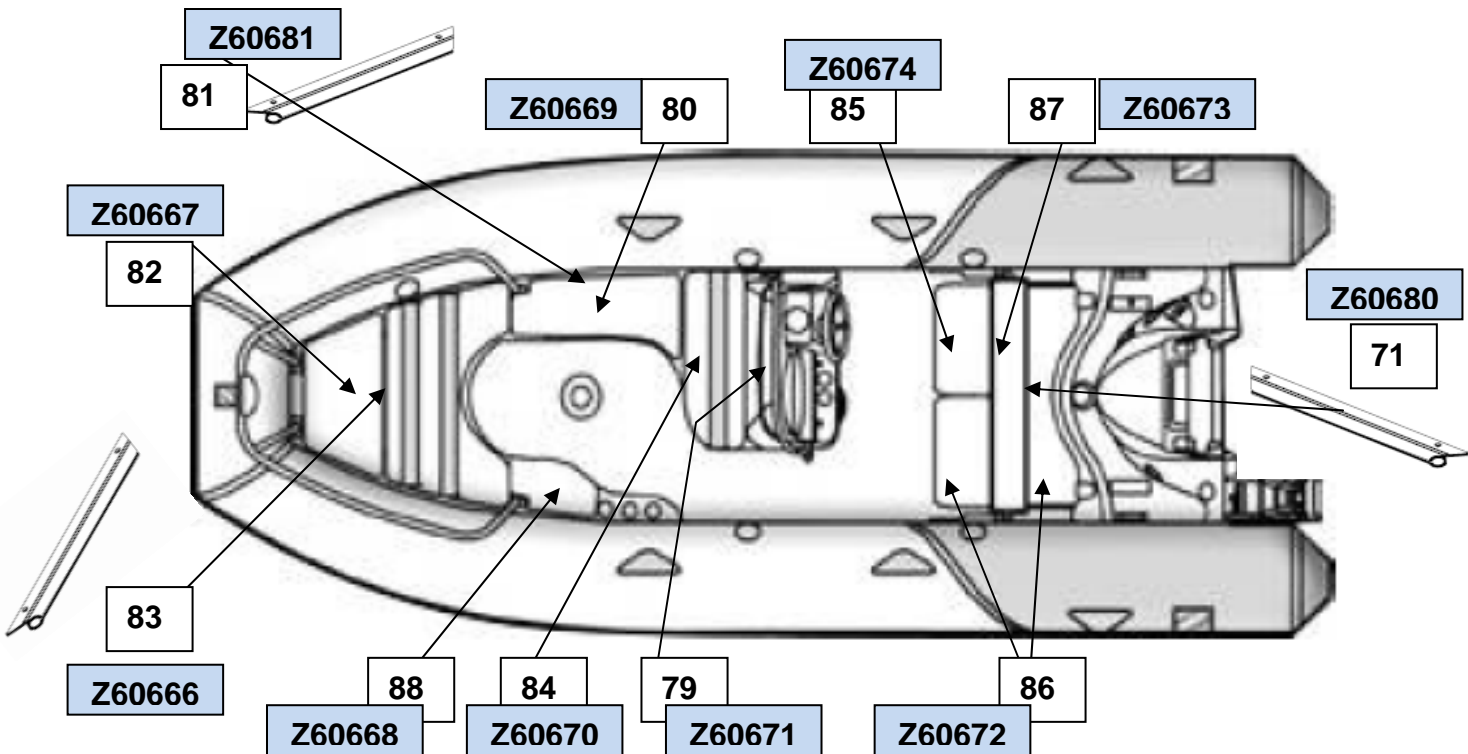
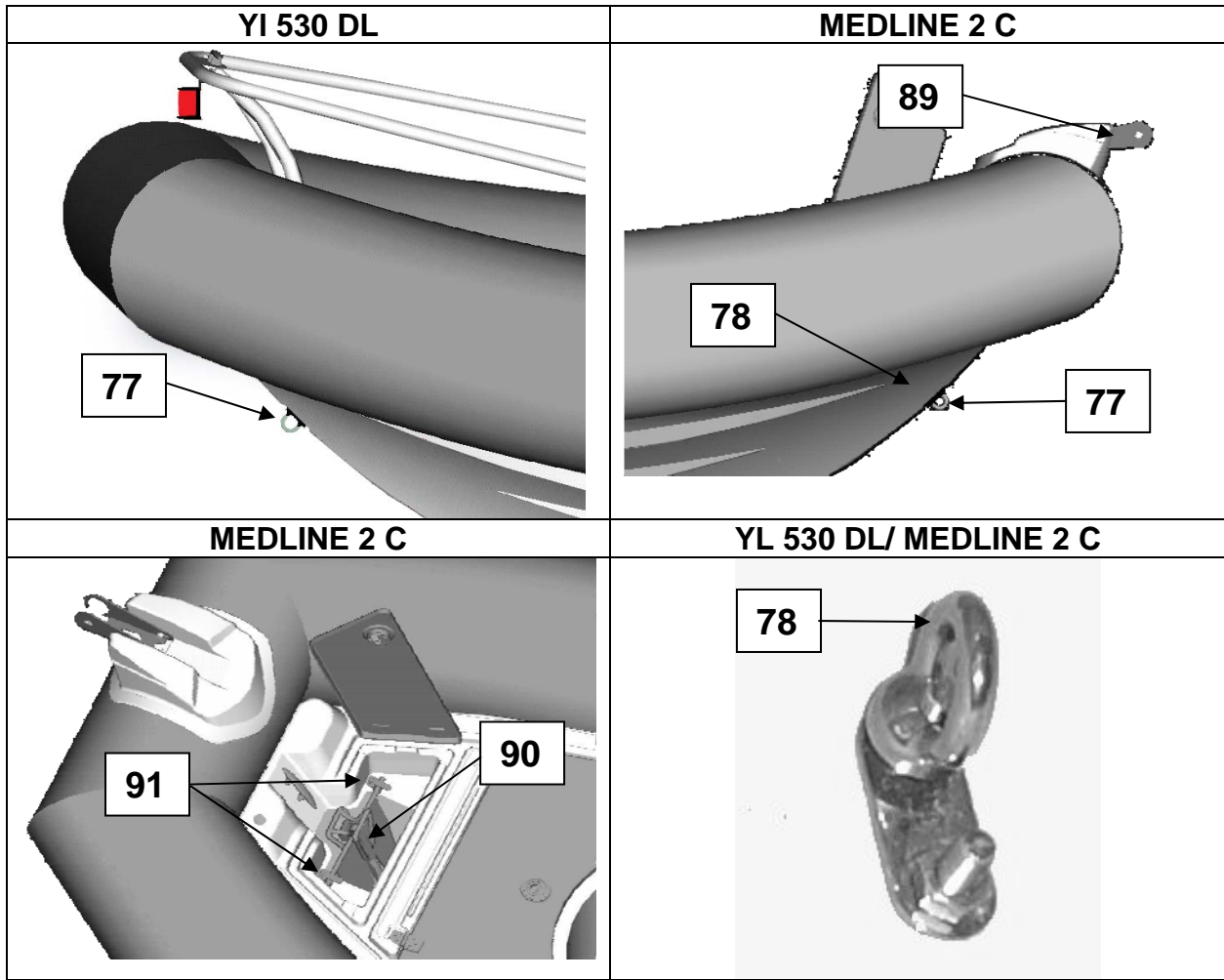




\* 1 seul interrupteur sur le MEDLINE 2 C











COUSSINS MEDL 2C 5M30

COUSS. 2005

COUSS.Z61190 BDS MEDL II 2007

