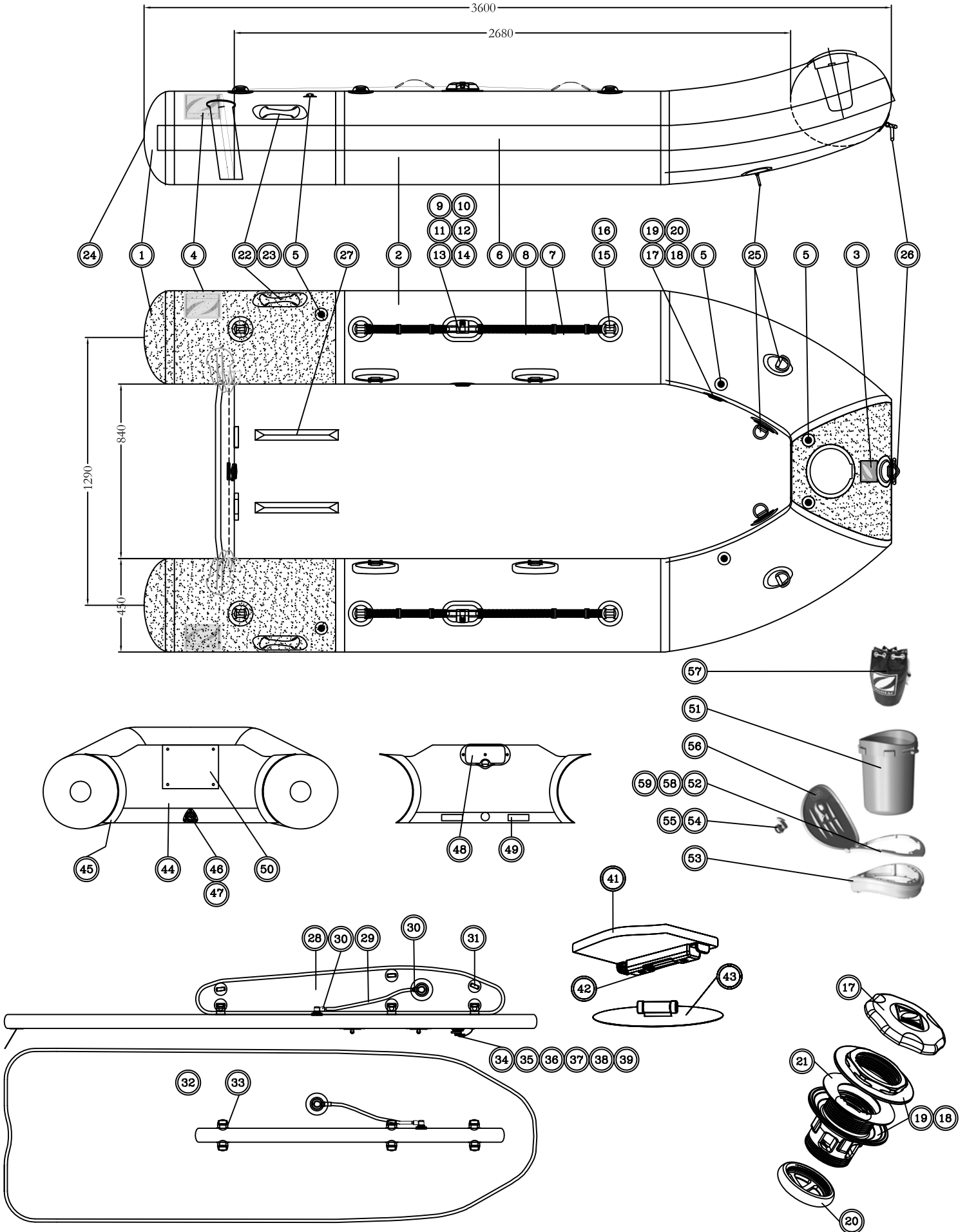


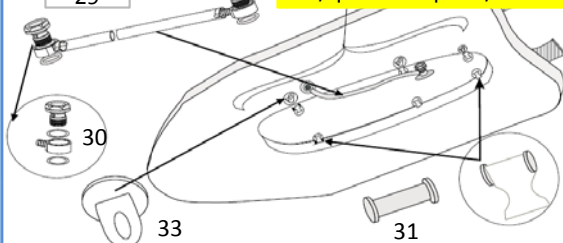
# Cadet 360 Fastroller - Z11420



Z11420 CADET 360 FASTROLLER 09		6 01 2009	
Rep.	Qty	PTN°	Description FR Description GB
EQUIPMENT FLOTTEUR -- BUOYANCY TUBE EQUIPMENT			
1	M	Z7041	T/REPAR.950 GRIS CLAIR LIGHT GREY REPAIR FABRIC
2	M	Z7197	T/BLANC AX/YL WHITE REPAIR FABRIC
3	1	Z60020	LOGO "Z" 02 PM BLANC-GRIS (1) LOGO "Z" 02 PM BLANC-GRIS (1)
4	2	Z60021	LOGO "Z" 02 PM BLANC-GRIS (1) LOGO "Z" 02 LARGE WHITE GREY 1
5	6	Z2816	PLOT FIX.SAC/AVIR.GRIS (4) PLAST.ATTACH.OAR/BAG GR4
6	1	Z67037	DEF N120 GR.M/BLC/GR.CL L.8M60 RUBSTRAKE L120 M.GR/W/L.GR 8M6
7	4	Z6276	PG SURMOULEE GRISE SNG 35 (2) HANDLE F/SAFETY STRAP GREY (2)
8	M	Z2893	SANGLE GRISE L35MM (10M) GREY STRAP 35MM (10M)
9	2	Z60738	TOLET BLOQUEUR AVIRON GRIS (2) OAR LOCK JUBILEE CLIP GREY (2)
10	2	Z60073	AXE DN BASC. 01 GR-CL (1) AXE RECL.OAR 01 GREY (1)
11	2	Z2844	AN.AXE DAME BASCUL.GR(10) RING F/RECL.OAR GR 10
12	2	Z60075	EMBASE 01 DN BASC. GR-CL (1) SUPPORT RECLINING OAR 01 GREY
13	2	Z60077	COQUILLE. 02 GR-CL DNB. (1) SWIVEL RECLINING OAR 02 GREY
14	2	Z60078	BOUTON RESSORT DAME NAGE(2) RETAINER FOR OAR SWIVEL 02 (2)
15	4	Z6428	PAS.SANGL/DRISS.GR/CL.(1) MOULD.STRAP/ROPE HOLD 1GR
16	4	Z60143	VERROU SANGLE "T" GR. (4) RETAINER FOR STRAP "T" GR (4)
17	2	Z67079	BOUCH.VALVE 09 LOGO"Z" G-CL(2) CAP VALVE 09 W/O LOGO GR(2)
18	2	Z67080	VALVE PUSH PUSH 09 (2) VALVE INSERT PUSH PUSH 09 (2)
19	2	Z67092	VALVE MONTEE 09 GR-CL (1) BODY +SCREW +VALVE 09 GREY(1)
20	2	Z67090	PTT INF.FILETAGE VALVE 09 (2) BOTTOM GUARD THREAD 09 VALVE-2
21	2	Z6852	JT ECROU V.E.(10) GASKET/SCREW RECES.VALVE (10)
22	1	Z3077	PG LAT GAUCHE GRIS/CL 95 GREY CARR HD LEFT 95
23	1	Z3078	PG LAT DROITE GRIS/CL 95 GREY CARR HD RIGHT 95
24	2	Z60608	CONE 05 CALOTTE GR.CL D201 CONE END 05-D201 GREY FABRIC
25	4	Z6128	AD 53 ROND BLANC STR.(5) D RING 53MM ROUND WHITE (5)
26	1	Z60093	PG AV RONDE GRI-CL 03 BOW HANDLE LIGHT GREY ROUND 03
27	2	Z2758	PROFIL ANTI DERIVE GRIS 2 ANTI SKIDDING FINNS 52°
PLANCHER H2P & QUILLE H2P -- H2P KEEL & H2P FLOOR			
28	1	Z60174	QUILLE H2P C285/310/340 A-V KEEL H2P C285/310/340 A-V
29	1	Z60094	TUYAU LIAISON QUILLE HPP KIT HPP KEEL CONNECTION HOSE SET
30	2	Z60905	RACCORD BANJO + JOINTS (10) BANJO COUPLER + O RING (10)
31	1	Z2886	VERROU SANGLE GRIS (10) PLAS.STRAP RETAIN/GREY 10
32	1	Z67028	PLANCH. H2P CLUB 6 08 A-V 67MM AIR FLOOR H2P CLUB 6 08 A-V 67
33	6	Z60934	PATTE FIX.FOND ACTIV T/GR (6) STRAP GR.H2P FLOOR RETAINER (6)
34	1	Z2846	BOUCHON CLAPET DELRIN(10) CAP BLACK VALVE (P10)
35	1	Z2847	CORPS CLAPET DELRIN(10) DELRIN BLACK VALVE (P10)
36	1	Z2233	ECROU EMBASE (10) NUT VALVE INSERT BASE (P10)
37	1	Z2234	RONDELLE EMBASE (10) GASKET VALVE INSERT BASE (P10)
38	1	Z3001	JT NEO.EMBASE CLAPET(25) GASKET INSERT BASE NEOPRE (25)
39	1	Z2232	EMBASE CLAPET (10) VALVE INSERT BASE (P10)
40	1	Z2019	SANGLE RESERVOIR TIE DOWN STRAP F/AIRFLOOR
BANC -- WOODEN BENCH			
41	1	Z60519	BANC QUICK FIT 950 GR.CL 05 QUICK FIT BENCH L950 L GREY
42	2	Z60560	SUPPORT MULTIFONCTION GRIS (2) QUICK FIT BENCH RETAINER GR 05
43	4	Z60735	SUPP BANC RENFORCE T/BLANC (2) SUP/WHITE FAB V2 QCK FIT BENCH
TABLEAU -- TRANSOM			
44	1	Z67098	TABLEAU T8-05 GRIS-CLAIR TRANSOM T8-05 LIGHT GREY 05
45	2	Z3327	GLISSIERE TABLEAU GRISE (1) TRANSOM BRACKET (1) GREY
46	1	Z61083	VIDE-VITE A LEVIER GRIS (1) SELF BAILER/LEVER TYPE GREY 1
47	1	Z60501	MEMBRANE VIDE VITE LEVIER (5) DIAPHRAGM /02 SELF BAILER (5)
48	1	Z6088	PLAQUE MOTEUR GM 99 MOTOR MOUNTING PLATE S2
49	2	Z3143	TASSEAU MULTIF GR-CL (10) PLAST.FLOOR RETAINER GR10
50	1	Z2042	PLAQUE MARTYR VERNIE 12MM WOODEN TRANSOM PAD12MM WARNISH
BOITE DE RANGEMENT ---INT-L BOX			
51	1	Z67031	BOITE NUE RANGEMENT GR-CL 08 BOX INT-L GREY 08
52	1	Z67032	BRIDE SUP. GR-CL (+couvercle) CLAMP BOX - UPPER / LID
53	1	Z67033	BRIDE INF. GR-CL CLAMP BOX LOWER
54	1	Z67034	SERRURE BOITE RGT 08 LOCKER INT-L BOX
55	1	Z67035	CLE DB3 BOITE RGT INT-L KEY INT-L BOX
56	1	Z67018	STICKER WARNING BOITE INT-L STICKER WARNING INT-L BOX
57	1	Z61143	SAC ZODIAC INT-L INT-L ZODIAC BAG
58	6	Z67073	VIS CHC TB M6X45 INOX A2 (6) SCREW M6X45 S/S (6)
59	6	Z67039	CAPUCHON M5 GRIS (6) PTT CAP GR (6)
EQUIPMENT STANDARD STANDART EQUIPMENT			
2		Z6425	AVIRON GRIS 1.60XD35 (2) GREY OAR 1.60XD35 (2)
2		Z2815	CLIP AVIRON GRIS CLAIR(2) OAR CLIP -GREY PLASTIC- (2)
60	1	Z60980	GONFLEUR + MANO BRAVO 9 BELLOWS+MANO BRAVO 9 COMPLETE
61	1	Z60811	TUYAU GONFLEUR ANNELE 1M70-08 INFLATABLE HOSE/08 FOOT PUMP
62	1	Z67068	RACCORD CL16 STANDARD COUPLING CL16 STANDARD
63	1	Z60981	MANOMETRE-GONFLEUR A PIEDS 08 PRESSURE GAUGE 08 FOOT PUM
1		Z60035	SAC ZODIAC ANNEXE GM 2002 CARRY BAG ZODIAC TENDER LARGE
1		Z6730	V/REP.BATEAUX STRONGAN STRONGAN BOATS REPAIR KIT
1		Z60798	PALETTE TISSU STG P/REPAR.06 COLOURED FAB.PVC 06 F/REPAIR
1		Z60186	AUTO-COLLANT SECURITE STICKER -SAFETY-
1		Z3018	MAN.PROP T1 GENERALITES MAN.PROP T1 GENERALITES
1		Z60360	MAN PROP. T2 CADET FR.ACTI-V OWNERS MAN V.2 CADET FR ACTI-V
64	1	Z67105	CLE VALVE PUSH PUSH 09 SPANNER PUSH PUSH VALVE 09

29

28/quille complete/keel



64

